

DRAWING DIRECTORY

"THIS DRAWING AND SPECIFICATIONS, HEREIN, ARE THE PROPERTY OF DIGITAL EQUIPMENT CORPORATION AND SHALL NOT BE REPRODUCED OR COPIED OR USED IN WHOLE OR IN PART AS THE BASIS FOR THE MANUFACTURE OR SALE OF ITEMS WITHOUT WRITTEN PERMISSION. COPYRIGHT © 1976 , DIGITAL EQUIPMENT CORPORATION"

CUSTOMER PRINT SET INDEX

THIS IS PRINT SET

--	--	--	--

SEQUENCE

SEQUENCE

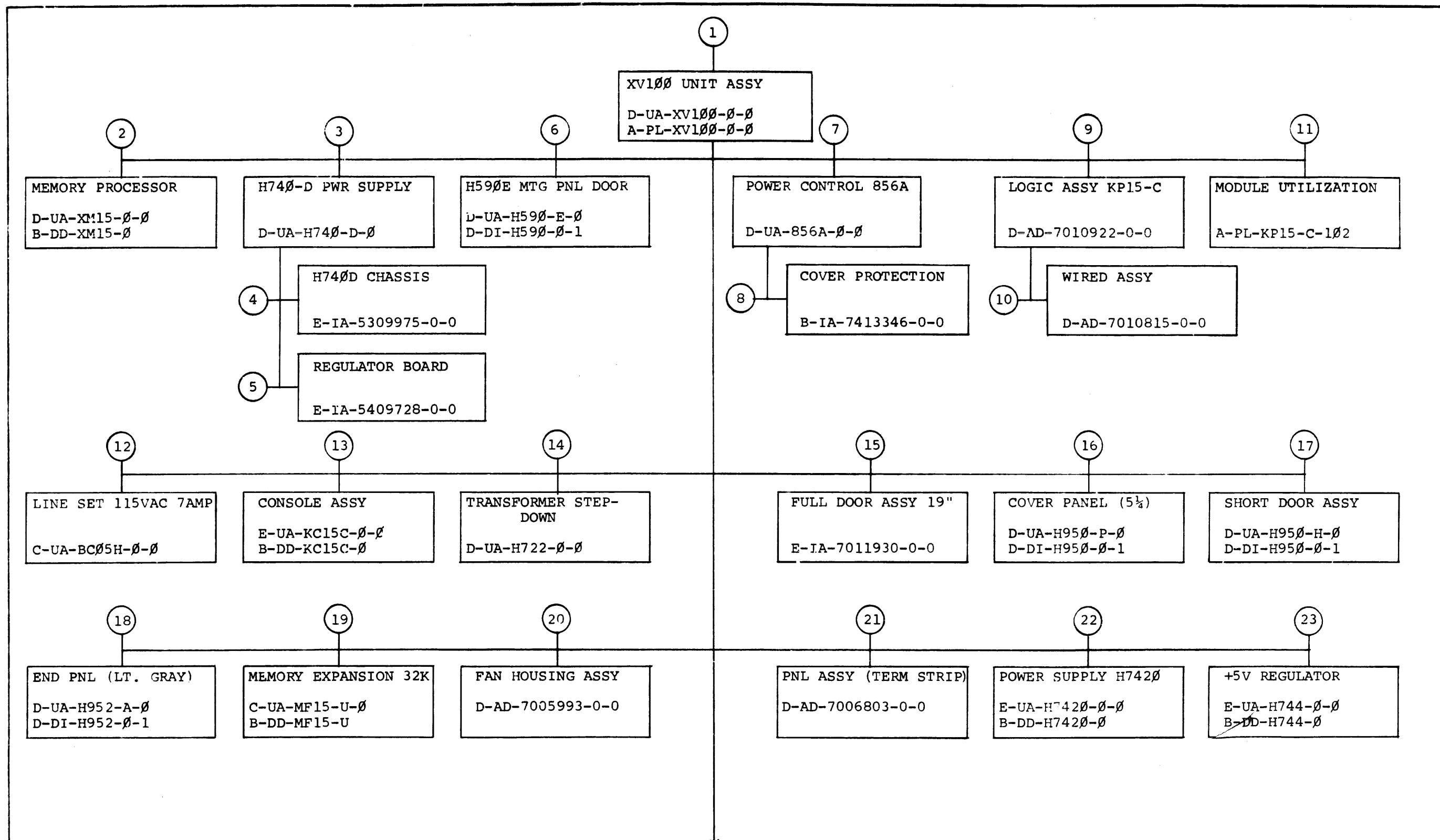
NOTE: FOR FIELD MAINTENANCE PRINT SET SEE:
B-TC-XV100-0-1

UNIT VARIATIONS

VAR	TITLE	PRINT SET
XV100-AA	XV100 UNIT ASSY	X
XV100-AB	XV100 UNIT ASSY	
XV100-BA	XV100 UNIT ASSY	
XV100-BB	XV100 UNIT ASSY	
XV100-CA	XV100 UNIT ASSY	
XV100-CB	XV100 UNIT ASSY	

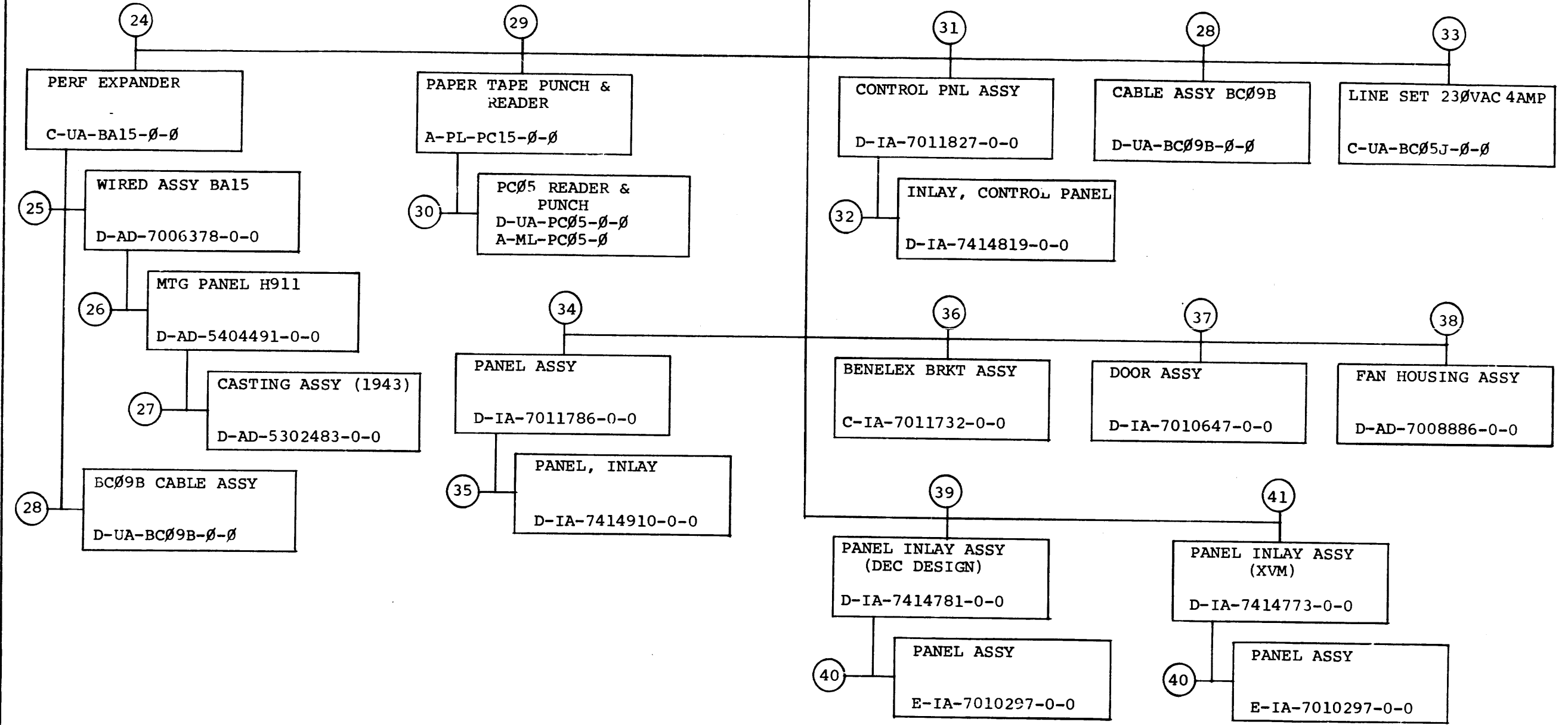
REVISIONS	DATE	CHG. NO.	REV	USED ON OPTION/MODEL	DRN.	DATE	TITLE			
		XV100-1	A		XV100	M. ARCHIE		30 DEC 75	XV100 UNIT ASSY	
	77					CHK'D.		DATE		
					<i>Bill Hovey</i>	12 JAN 76				
					PROJ ENG.	DATE				
					PROD.	DATE	REV			
					FIELD SERV.	DATE	A			
				SHEET 1 OF 12			B	CODE	NUMBER	REV
							B DD	XV100-0		
							DIST			

E N 01062 1A 16 R972 (325)



CONTINUED ON SHEET 3

TITLE	SHEET	OF	SIZE	CODE	NUMBER	REV
XV100 UNIT ASSY	SHEET 2	OF 12	B	DD	XV100-0	A



TITLE	XV100 UNIT ASSY	SHEET 3 OF 12	SIZE CODE	B DD	NUMBER	XV100-0	REV	A
-------	-----------------	---------------	-----------	------	--------	---------	-----	---

CUSTOMER PRINT SET		ELECTRICAL					CUSTOMER PRINT SET		ELECTRICAL						
	MFG. SET	FWD NO.	DRAWING NO.	REV	NO OF SHT	DESCRIPTION	OPTION NO./FILE DATE		MFG. SET	FWD NO.	DRAWING NO.	REV	NO OF SHT	DESCRIPTION	OPTION NO./FILE DATE
		11	A-PL-KP15-C-1Ø2	#	3	MODULE UTILIZATION (PL)				20	D-AD-7005993-0-0	#		FAN HOUSING ASSY	
			D-MU-KP15-C-1Ø2	#	4	MODULE UTILIZATION									
		12	C-UA-BCØ5H-Ø-Ø	#	1	LINE SET 115VAC 7AMP				22	E-UA-H742Ø-Ø-Ø	#	2	POWER SUPPLY H742Ø	
			D-UA-H4ØØ-Ø-Ø	#		AC INPUT BOX H4ØØA					B-DD-H742Ø-Ø	#	3	POWER SUPPLY H742Ø (DWG DIR.)	
		14	D-UA-H722-Ø-Ø	#		TRANSFORMER STEPDOWN				23	E-UA-H744-Ø-Ø	#	1	+5V REGULATOR	
			A-PL-H722-Ø-Ø	#		TRANSFORMER STEPDOWN (PL)					B-DD-H744-Ø	#	2	+5V REGULATOR (DWG DIR.)	
		19	C-UA-MF15-U-Ø	#	2	MEMORY EXPANSION 32K				24	C-UA-BA15-Ø-Ø	#	1	PERF EXPANDER	
			B-DD-MF15-Ø	#	4	MEMORY EXPANSION 32K(DWG DIR.)									

CUSTOMER PRINT SET CODES
 X = PRINT OF DOCUMENT INCLUDED IN PRINT SET
 C = INCLUDES ALL PRINTS INDICATED ON DOCUMENT
 S = CONFIDENTIAL AUTHORIZED SIGNATURE REQUIRED

TITLE
 XV1ØØ UNIT ASSY
 SHEET 5 OF 12
 SIZE CODE B DD
 NUMBER XV1ØØ-Ø
 REV A

CUSTOMER PRINT SET		ELECTRICAL					CUSTOMER PRINT SET		ELECTRICAL						
	MFG. SET	FIND NO.	DRAWING NO.	REV	NO OF SHT	DESCRIPTION	OPTION NO./FILE DATE		MFG. SET	FIND NO.	DRAWING NO.	REV	NO OF SHT	DESCRIPTION	OPTION NO./FILE DATE
		25	D-AD-7006378-0-0	#	1	WIRED ASSY BA15				33	C-UA-BC05J-0-0	#	1	LINE SET 230VAC 4AMP	
			K-WL-BA15-0-09	#		WIRE LIST					D-UA-H400-0-0	#	1	AC INPUT BOX H400B	
		28	D-UA-BC09B-0-0	#	2	BC09B CABLE ASSY				38	D-AD-7008886-0-0	#		FAN HOUSING ASSY	
		29	A-PL-PC15-0-0	#	1	PAPER TAPE PUNCH & READER (PL)									
			D-UA-BC08A-6-0	#		BC08A CABLE									
		30	D-UA-PC05-0-0	#	3	PC05 READER & PUNCH									
			A-ML-PC05-0-0	#		PC05 READER & PUNCH									
CUSTOMER PRINT SET CODES		X = PRINT OF DOCUMENT INCLUDED IN PRINT SET C = INCLUDES ALL PRINTS INDICATED ON DOCUMENT S = CONFIDENTIAL AUTHORIZED SIGNATURE REQUIRED					TITLE		SIZE CODE		NUMBER		REV		
							XV100 UNIT ASSY		SHEET 6 OF 12 B DD		XV100-0		A		

DRB 108



EN-01062-2B-16-R972-(325)

CUSTOMER PRINT SET		MECHANICAL				CUSTOMER PRINT SET		MECHANICAL							
MFG.	SET	FIND NO.	DRAWING NO.	REV	NO OF SHT	DESCRIPTION	OPTION NO./FILE DATE	MFG.	SET	FIND NO.	DRAWING NO.	REV	NO OF SHT	DESCRIPTION	OPTION NO./FILE DATE
		6	D-UA-H590-EA-0	#	1	H590E MTG PANEL DOOR				10	D-AD-7010815-0-0	#	2	WIRED ASSY (KP15-C)	
			D-DI-H590-0-1	#		H590E DWG INDEX LIST					A-PL-7010815-0-0	#	1	WIRED ASSY (KP15-C) (PL)	
											A-DC-7406371-0-0	#		LOGIC FRAME DECALS	
											D-AD-5404491-0-0	#		H911 MTG PANEL	
											A-WT-7010815-0	#		KP15-C AWT REVISION STATUS	
		7	D-UA-856A-0-0	#	1	POWER CONTROL 856A									
			D-MD-5308820-0-0	#	1	CHASSIS, 856 PWR. CONT.									
		8	B-IA-7413346-0-0	#	1	COVER, PROTECTION									
			B-MD-7408082-0-0	#	1	PROTECTION COVER									
			A-SS-7413346-0-1	#	1	POWER PANEL (8564)									
		9	D-AD-7010922-0-0	#	1	LOGIC ASSY KP15-C									
			C-IA-5408739-1-0	#	1	POWER END PANEL ASSY									

CUSTOMER PRINT SET CODES	X = PRINT OF DOCUMENT INCLUDED IN PRINT SET	TITLE	SIZE CODE	NUMBER	REV
	C = INCLUDES ALL PRINTS INDICATED ON DOCUMENT				
	S = CONFIDENTIAL AUTHORIZED SIGNATURE REQUIRED				

DRB 108

CUSTOMER PRINT SET					MECHANICAL					CUSTOMER PRINT SET					MECHANICAL				
MFG.	SET	FIND NO.	DRAWING NO.	REV	NO OF SHT	DESCRIPTION	OPTION NO./FILE DATE	MFG.	SET	FIND NO.	DRAWING NO.	REV	NO OF SHT	DESCRIPTION	OPTION NO./FILE DATE				
		14	D-UA-H722-Ø-Ø	#	1	TRANSFORMER STEPDOWN				17	D-UA-H95Ø-HY-Ø	#		SHORT DOOR ASSY					
			A-PL-H722-Ø-Ø	#		TRANSFORMER STEPDOWN (PL)					D-DI-H95Ø-Ø-1	#		H95Ø DWG INDEX LIST					
			D-IA-5308863-0-0	#	1	PANEL MOUNTING													
			B-DC-5308843-0-0	#		DECALS H722													
			B-MD-5302903-0-0	#		PROTECTION COVER 541 (9 TERM)													
		15	E-IA-7011930-0-0	#	1	FULL DOOR ASSY 19"				18	D-UA-H952-AC-Ø	#	1	END PANEL (LT. GRAY)					
			E-IA-7414997-0-0	#	1	FULL DOOR 19"					D-DI-H952-Ø-1	#		H952 DWG INDEX LIST					
			C-MD-7414996-0-0	#	1	SUPPORT LOWER													
			C-MD-7414995-0-0	#	1	SUPPORT UPPER													
			C-MD-7412523-0-0	#	1	HAT SECTION													
										19	C-UA-MF15-U-Ø	#	2	MEMORY EXPANSION 32K					
											A-PL-MF15-Ø-Ø	#	3	MEMORY EXPANSION 32K (PL)					
											B-DD-MF15-Ø	#	4	MEMORY EXPANSION 32K(DWG DIR.)					
		16	D-UA-H95Ø-PB-Ø	#	1	COVER PANEL (5¼)													
			D-DI-H95Ø-Ø-1	#		H95Ø DWG INDEX LIST													
										20	D-AD-7005993-0-0	#	1	FAN HOUSING ASSY					
											A-PL-7005993-0-0	#	1	FAN HOUSING ASSY (PL)					
											D-IA-7406892-0-0	#	2	FAN HOUSING					
											A-DC-7407314-0-0	#		DECAL, FAN HOUSING					

CUSTOMER PRINT SET CODES
 X = PRINT OF DOCUMENT INCLUDED IN PRINT SET
 C = INCLUDES ALL PRINTS INDICATED ON DOCUMENT
 S = CONFIDENTIAL AUTHORIZED SIGNATURE REQUIRED

TITLE: XVLØØ UNIT ASSY
 SHEET 9 OF 12
 SIZE CODE: B DD
 NUMBER: XVLØØ-Ø
 REV: A

CUSTOMER PRINT SET		MECHANICAL					CUSTOMER PRINT SET		MECHANICAL				
	MFG. SET	FIND NO.	REV	NO OF SHT	DESCRIPTION	OPTION NO./FILE DATE		MFG. SET	FIND NO.	REV	NO OF SHT	DESCRIPTION	OPTION NO./FILE DATE
		21		1	PANEL ASSY (TERM STRIP)				25		1	WIRED ASSY BA15	
					PANEL ASSY (TERM STRIP) (PL)							WIRED ASSY BA15 (PL)	
					COVER TERMINAL STRIP							LOGIC FRAME DECALS	
					DECAL 115VAC 6Øcps							WIRE LIST	
		22		2	POWER SUPPLY H742Ø				26		1	MTG PANEL H911	
				3	POWER SUPPLY H742Ø (DWG DIR.)							MTG PANEL H911 (PL)	
		23		1	+5V REGULATOR				27		1	CASTING ASSY (1943)	
				2	+5V REGULATOR (DWG DIR.)								
		24		1	PERF EXPANDER				28		2	BCØ9B CABLE ASSY	
				1	PERF EXPANDER (PL)							SCR. MODULE RET	
												CABLE CLAMP	

CUSTOMER PRINT SET CODES
X = PRINT OF DOCUMENT INCLUDED IN PRINT SET
C = INCLUDES ALL PRINTS INDICATED ON DOCUMENT
S = CONFIDENTIAL AUTHORIZED SIGNATURE REQUIRED

TITLE: XV1ØØ UNIT ASSY
SHEET 10 OF 12
SIZE CODE: B DD
NUMBER: XV1ØØ-Ø
REV: A

DO NOT SCALE DRAWING

LOCATION OF SPEED NUTS ITEM #54
 LOCATE ALL NUTS BY COUNTING HOLES UP FROM THE BOTTOM OF THE CAB FRAME SUPPORT

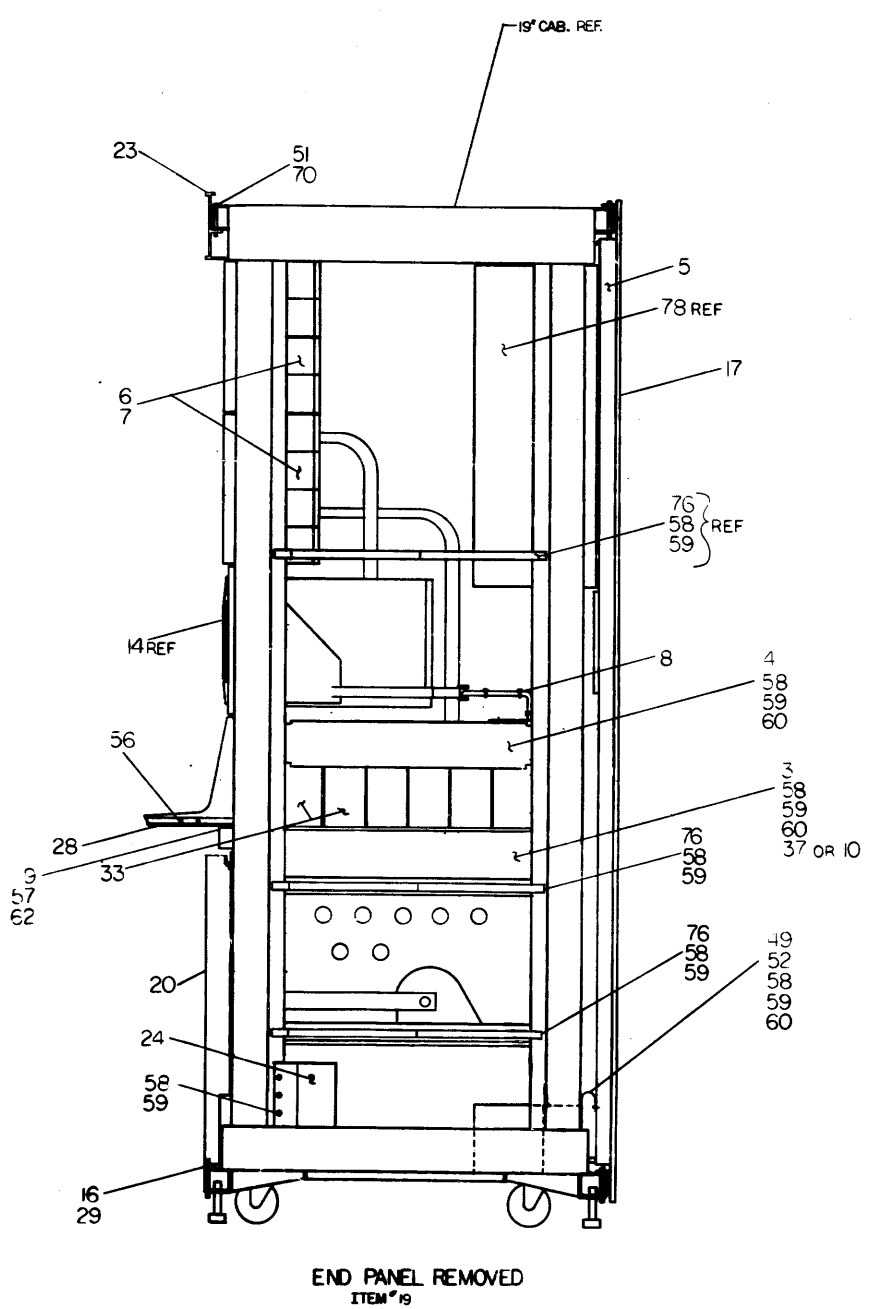
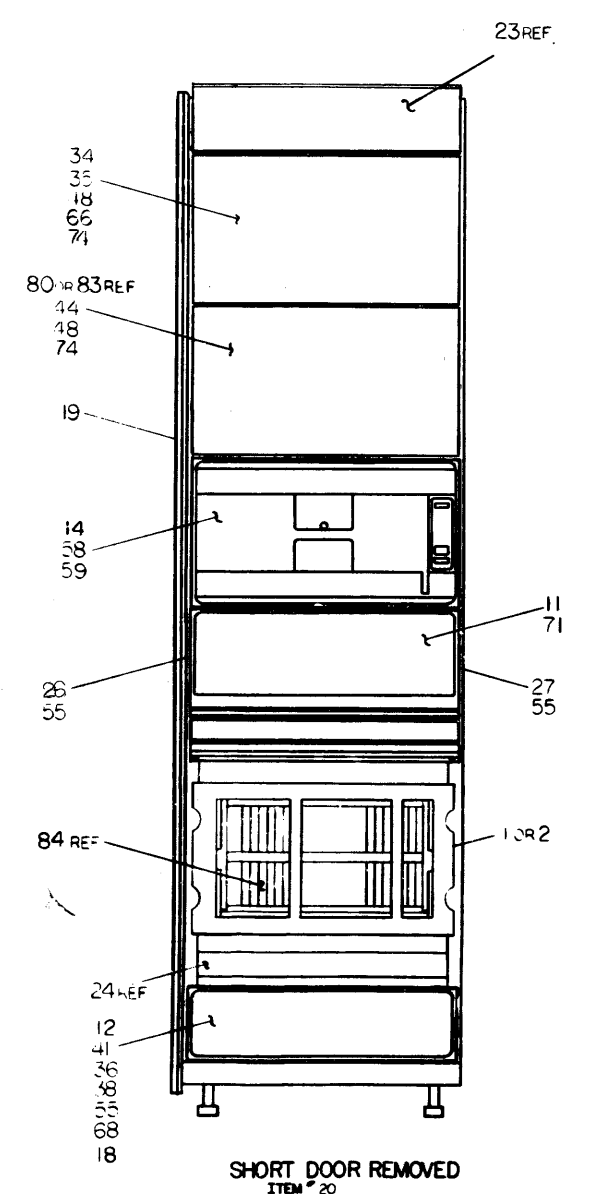
FRONT HOLE NUMBERS		REAR HOLE NUMBERS	
LEFT	RIGHT	RIGHT	LEFT
4, 8, 18, 21, 25, 34, 45, 48, 58	3, 18, 21, 44	3, 7, 18, 21, 42	45, 48
64, 66, 70, 75, 79, 84, 88, 93, 97, 102, 106	51, 56		

LEFT SIDE HOLE NUMBERS		RIGHT SIDE HOLE NUMBERS	
LEFT REAR	LEFT FRONT	RIGHT REAR	RIGHT FRONT
68	6, 9, 41, 44, 49, 60, 65, 68	36, 16, 50, 74	6, 9, 31, 40, 50, 57, 62, 103, 108

MOUNTING PANEL DOOR HOLE LOCATION

LEFT SIDE HOLE NUMBERS	RIGHT SIDE HOLE NUMBERS
54, 58, 62, 64, 68, 80, 92, 97, 99, 100	41, 46, 54, 58, 62, 64, 68, 80, 92, 97, 99

NOTES:

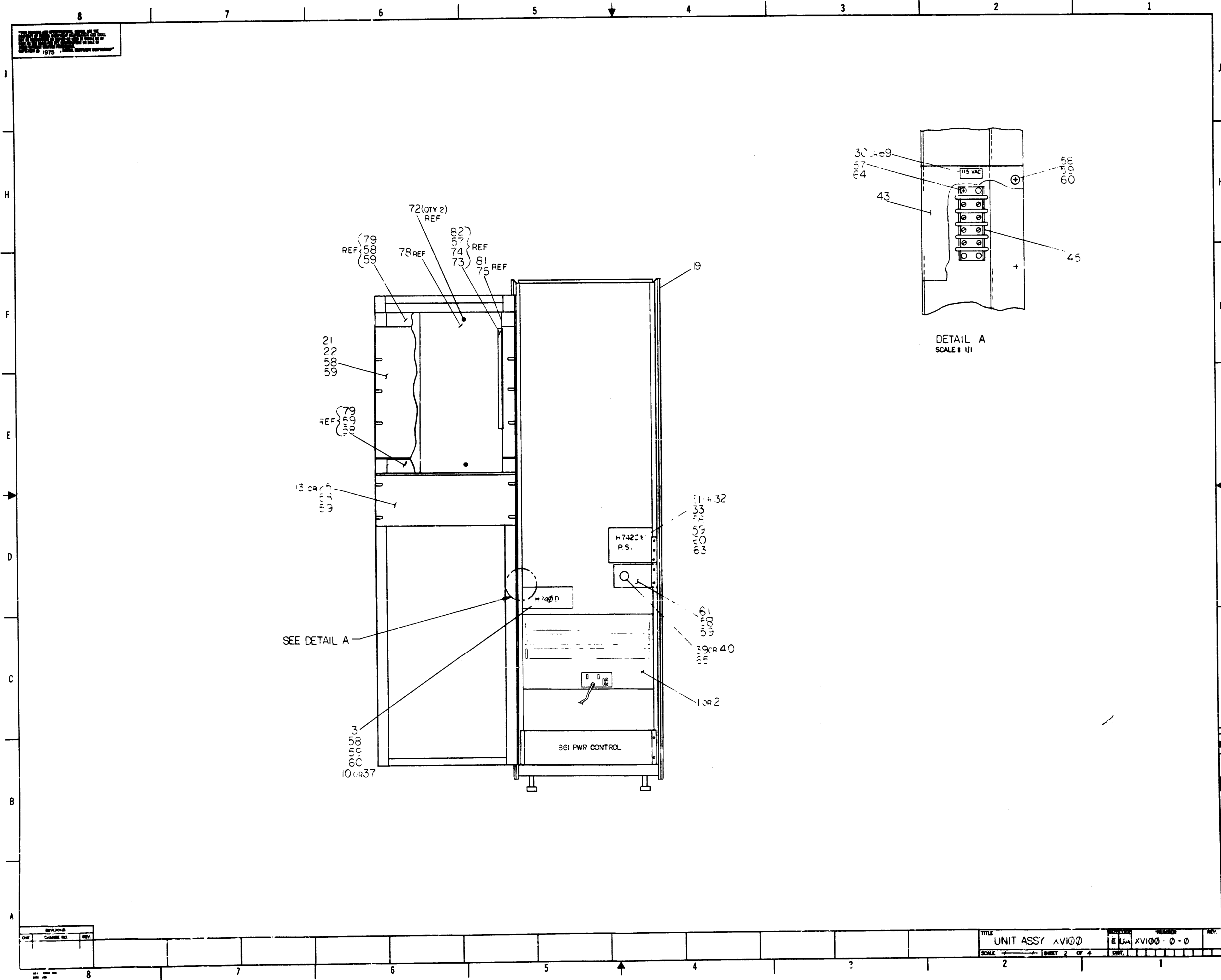


CAUTION: OFFSHEET PARTS LIST EXIST
 SEE A-PL-XV100-0-0

REV.	DESCRIPTION	DATE	BY	CHKD.
1	UNIT ASSY XV100			

REV.	DESCRIPTION	DATE	BY	CHKD.
1	UNIT ASSY XV100			

REV.	DESCRIPTION	DATE	BY	CHKD.
1	UNIT ASSY XV100			

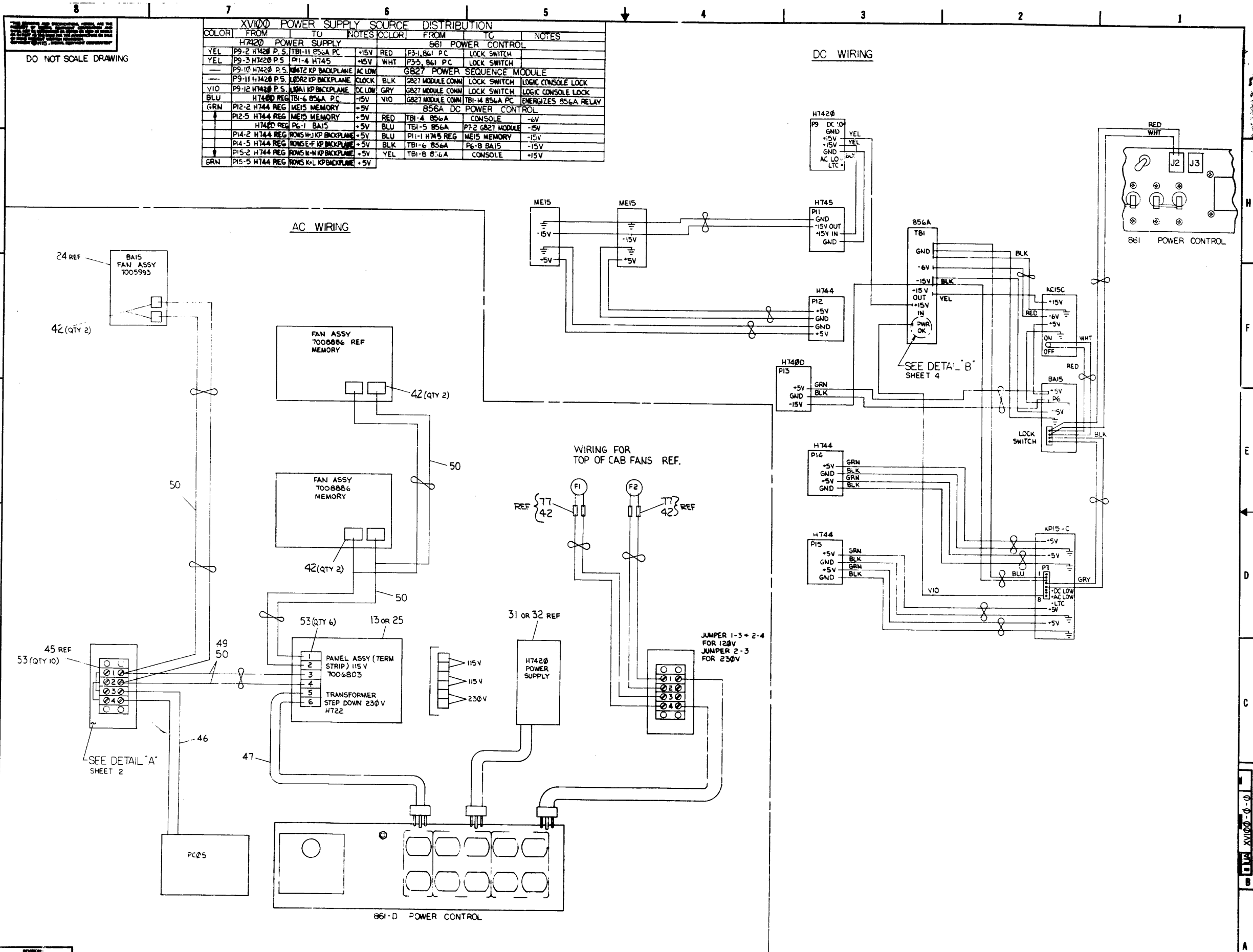


1975

REV.	DATE	BY	CHKD.

TITLE	UNIT ASSY X1100	REV.	
SCALE	1:1	SHEET	2 OF 4

XVI00-0-0

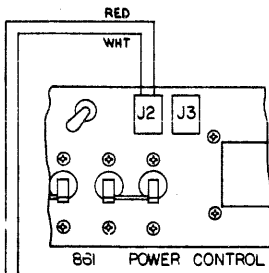
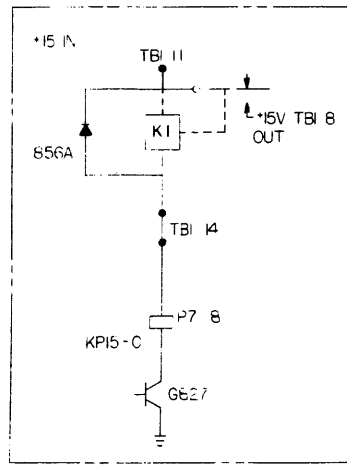
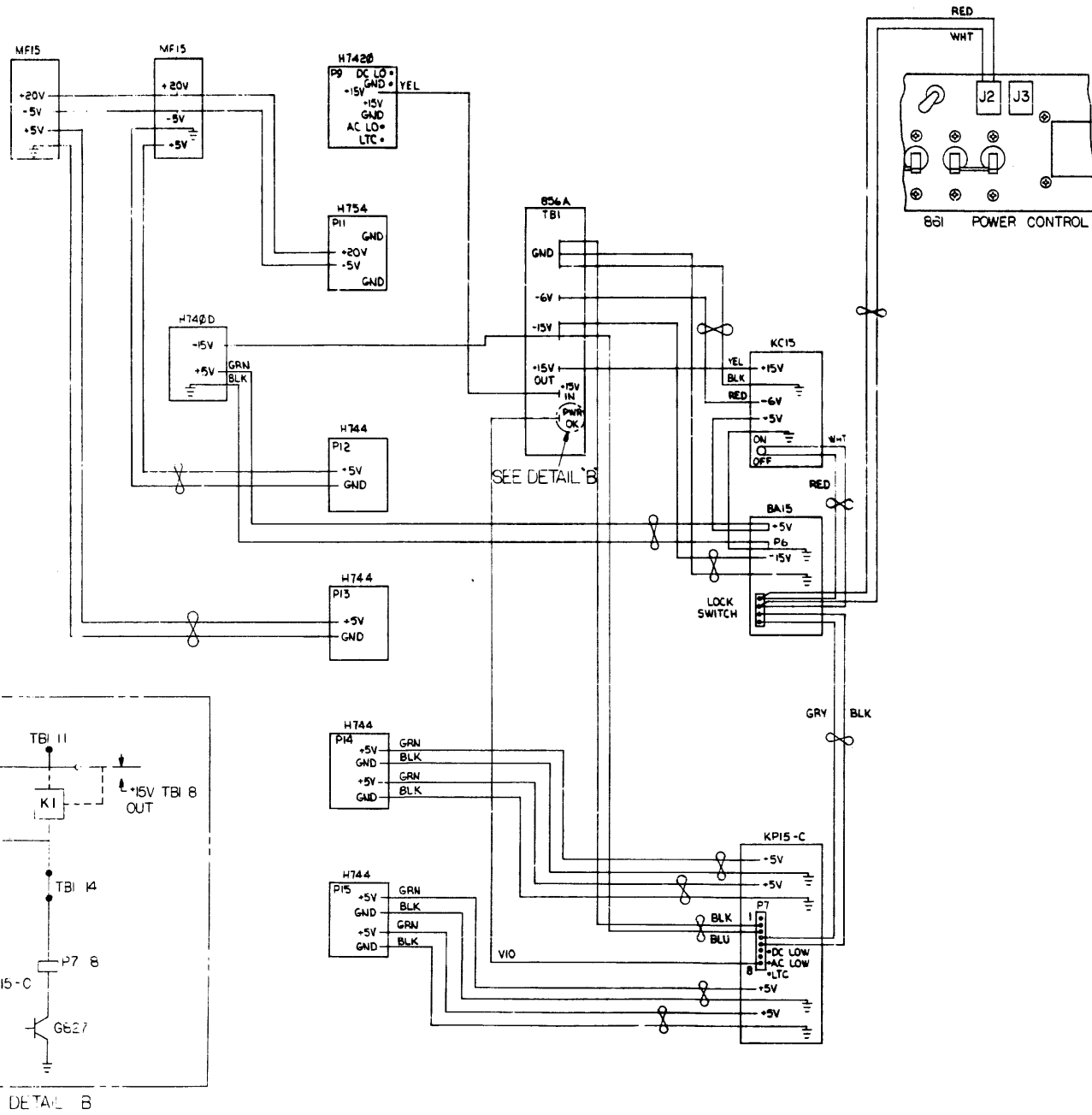


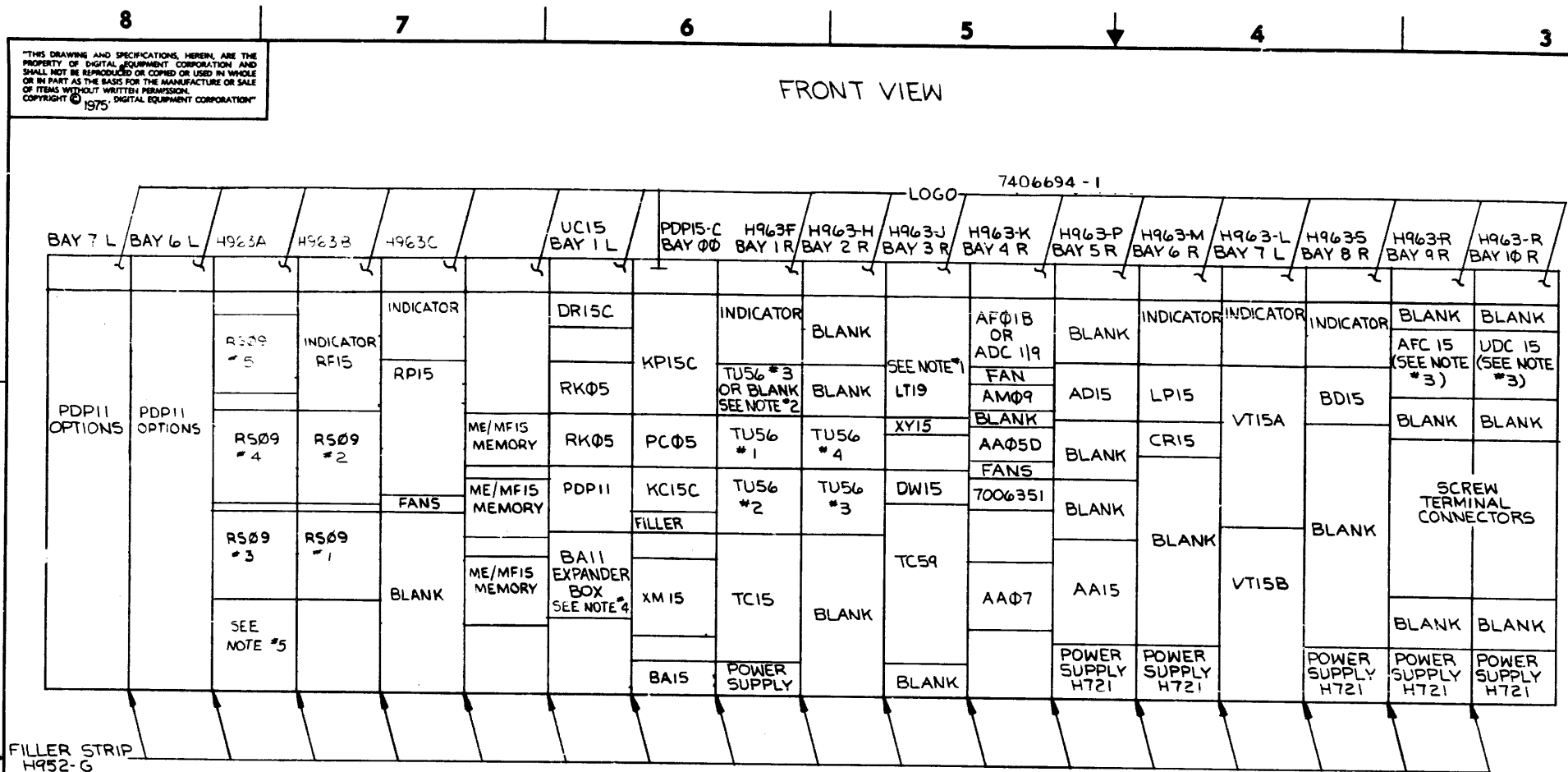
XV100 POWER SUPPLY SOURCE DISTRIBUTION									
COLOR	FROM	TO	NOTES	COLOR	FROM	TO	NOTES		
H7420 POWER SUPPLY									
861 POWER CONTROL									
YEL	P9-2 H7420 P.S.	TBI-11 856A PC	+15V	RED	P3-1 861 PC	LOCK SWITCH			
YEL	P9-3 H7420 P.S.	P11-4 H745	+15V	WHT	P3-5 861 PC	LOCK SWITCH			
8627 POWER SEQUENCE MODULE									
	P9-10 H7420 P.S.	W422 KP BACKPLANE	AC LOW	BLK	G827 MODULE CONN	LOCK SWITCH	LOGIC CONSOLE LOCK		
	P9-11 H7420 P.S.	W422 KP BACKPLANE	DC LOW	GRY	G827 MODULE CONN	LOCK SWITCH	LOGIC CONSOLE LOCK		
VIO	P9-12 H7420 P.S.	W422 KP BACKPLANE	DC LOW	GRY	G827 MODULE CONN	TBI-M 856A PC	ENERGIZES 856A RELAY		
BLU	H7440 REG	TBI-6 856A PC	+15V	VIO	G827 MODULE CONN	TBI-M 856A PC	ENERGIZES 856A RELAY		
856A DC POWER CONTROL									
GRN	P12-2 H744 REG	ME15 MEMORY	+5V	RED	TBI-4 856A	CONSOLE	-6V		
	P12-5 H744 REG	ME15 MEMORY	+5V	BLU	TBI-5 856A	P72 G827 MODULE	-15V		
	H7440 REG	P6-1 BA15	+5V	BLU	P11-1 H745 REG	ME15 MEMORY	-15V		
	P14-2 H744 REG	W422 KP BACKPLANE	+5V	BLU	TBI-6 856A	P6-8 BA15	-15V		
	P14-5 H744 REG	W422 KP BACKPLANE	+5V	BLK	TBI-8 856A	CONSOLE	+15V		
	P15-2 H744 REG	W422 KP BACKPLANE	+5V	YEL					
GRN	P15-5 H744 REG	W422 KP BACKPLANE	+5V						

THIS DRAWING AND SPECIFICATION, HEREIN, ARE THE PROPERTY OF THE UNITED STATES GOVERNMENT AND ARE LOANED TO YOU BY THE NATIONAL BUREAU OF STANDARDS. IT IS TO BE USED ONLY FOR THE PURPOSES AND CONDITIONS SPECIFIED IN THE CONTRACT. IT IS NOT TO BE REPRODUCED OR TRANSMITTED IN ANY FORM OR BY ANY MEANS, ELECTRONIC OR MECHANICAL, INCLUDING PHOTOCOPYING, RECORDING, OR BY ANY INFORMATION STORAGE AND RETRIEVAL SYSTEM, WITHOUT PERMISSION IN WRITING FROM THE NATIONAL BUREAU OF STANDARDS.

DO NOT SCALE DRAWING

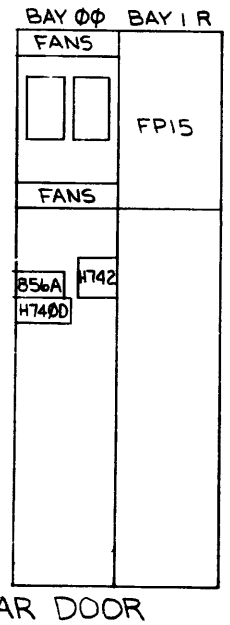
COLOR	FROM	TO	NOTES	COLOR	FROM	TO	NOTES
	H7420 POWER SUPPLY				861 POWER CONTROL		
YEL	P9-2 H7420 P.S.	TBI-11 856A PC	+15V	RED	P3-1 861 PC	LOCK SWITCH	
YEL	P5-3 H7420 P.S.	P11-4 H745	+15V	WHT	P3-3 861 PC	LOCK SWITCH	
	P9-10 H7420 P.S.	K8042 KP BACKPLANE	AC LOW		G827 POWER SEQUENCE MODULE		
	P9-11 H7420 P.S.	L03R2 KP BACKPLANE	CLOCK	BLK	G827 MODULE CONN	LOCK SWITCH	LOGIC CONSOLE LOCK
VIO	P2-12 H742 P.S.	L10A1 KP BACKPLANE	DC LOW	GRY	G827 MODULE CONN	LOCK SWITCH	LOGIC CONSOLE LOCK
BLU	H740D REG	TBI-6 856A P.C.	-15V	VIO	G827 MODULE CONN	TBI-4 856A P.C.	ENERGIZES 856A RELAY
GRN	P2-2 H744 REG	MF15 MEMORY	+5V	856A DC POWER CONTROL			
	P12-5 H744 REG	MF15 MEMORY	+5V	RED	TBI-4 856A	CONSOLE	-6V
	H740D REG	P6-1 BA15	+5V	BLU	TBI-5 856A	PT-2 G827 MODULE	-15V
	P14-2 H744 REG	ROWS H+J KP BACKPLANE	+5V	BLK	TBI-6 856A	P6-8 BA15	-15V
	P14-5 H744 REG	ROWS E+F KP BACKPLANE	+5V	YEL	TBI-8 856A	CONSOLE	+15V
	P15-2 H744 REG	ROWS M+N KP BACKPLANE	+5V	BRN	P11-5	MF15 MEMORY	+20V
	P15-5 H744 REG	ROWS K=L KP BACKPLANE	+5V		P11-3	MF15 MEMORY	-5V
	P13-2 H744 REG	MF15 MEMORY	+5V				
BRN	P13-5 H744 REG	MF15 MEMORY	+5V				





- NOTES:**
1. NEGATIVE BUS OPTIONS ARE LOCATED IN AVAILABLE SPACE IN THE H963-J CAB. IN THE EVENT THAT ALL OPTIONS ARE INCLUDED A SECOND CAB IS REQUIRED.
 2. IF FOUR TU56'S ARE ORDERED, TU56 #3 & #4 ARE INSTALLED IN SECOND CAB AS SHOWN.
 3. AFC-15 & UDC-15 CABINETS COULD BE A MAX OF 11 UDC AND 11 AFC CABINETS EACH TO MEET THE REQUIREMENTS OF THE CUSTOMER.
 4. FIRST BAY EXPANDER BOX MOUNTED BELOW PDP 11.
 5. TWO RS09 CABINETS ARE REQUIRED FOR MAX CONFIGURATIONS.

FILLER STRIP H952-G



CABINET CONFIGURATION INFORMATION

CAB. DES.	MAX CONFIGURATION DRAWING NO.
H963-A	7006709 (RS09)
-B	7006708 (RF15)
-C	7006820 (RP15)
-F	7006725 (TC15)
-H	7006725 (TC15)
-J	7006633 (TC59)
-K	(AA05)
-L	(VT15)
-M	(LP15)
-N	7006863 (MX15)
-P	(ANALOG SUBSYSTEM)
-R	(AFC15 & UDC15)
H963-S	(BD15)

THIRD ANGLE PROJECTION		DESCRIPTION		DWG. PART NO.	ITEM NO.
UNLESS OTHERWISE SPECIFIED DIMENSIONS ARE IN INCHES					
ANGLES 30°/30'		CLASS OF ACCURACY		NORMAL DIMENSION RANGE INCHES	
SURFACE QUALITY IN		CHECK ONE		OVER 0 TO 0.2	OVER 0.2 TO 1.2
MICRONCHES		PREFERRED		OVER 1.2 TO 4.0	OVER 4.0 TO 12.0
QUANTITY & VARIATION		MEDIUM		OVER 12.0 TO 40.0	OVER 40.0 TO 80.0
REMOVE BURRS AND BREAK SHARP CORNERS		NEXT HIGHER ASSY.		OVER 80.0 TO 160.0	OVER 160.0 TO 320.0
DO NOT SCALE DWG		MATERIAL		FINISH	
SCALE		SIZE		CODE	
SHEET 1 OF 4		DIST.		REV.	

DRN. M. G. G. 23 OCT 75
 CHK'D B. H. H. 23 DEC 75
 ENG. H. C. C. 9 JAN 76
 PROJ. ENG. F. G. G. 9 JAN 76
 PROD. T. R. R. 9 JAN 76

FIRST USED ON: XVI00 digital

TITLE: EQUIPMENT LAYOUT (XVI00)

SIZE: B-DD-XVI00-0
 SCALE: 1:1
 SHEET: 1 OF 4
 DIST.:
 REV.:
 NUMBER: D AR XVI00-0-2

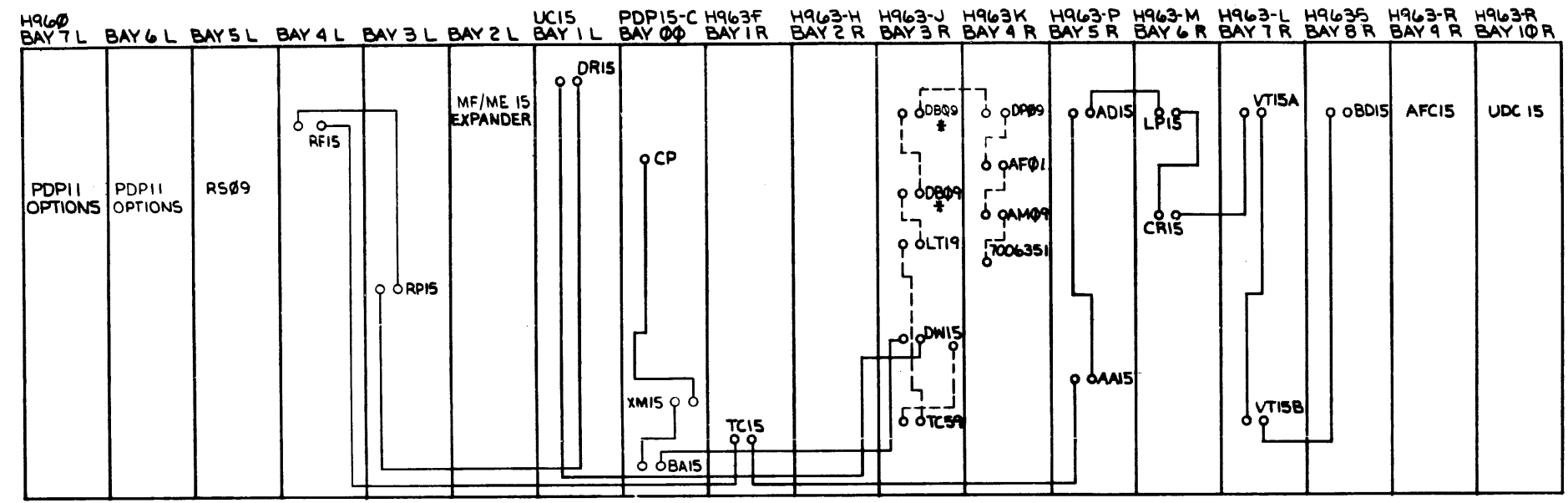
REV. CHANGE NO. DATE

REV. NUMBER D AR XVI00-0-2

THIS DRAWING AND SPECIFICATIONS HEREIN ARE THE PROPERTY OF DIGITAL EQUIPMENT CORPORATION AND SHALL NOT BE REPRODUCED OR COPIED OR USED IN WHOLE OR IN PART AS THE BASIS FOR THE MANUFACTURE OR SALE OF ITEMS WITHOUT WRITTEN PERMISSION. COPYRIGHT © 1975 DIGITAL EQUIPMENT CORPORATION

LEGEND
 ——— POSITIVE BUS-1 BC09B
 - - - - - NEGATIVE BUS-2 BC09A'S

NOTES:
 * SEE NOTE 1 SHEET 1 OF 4.



POSITIVE LOGIC BC09B

LEAVING	TO	SAME CAB	NEXT CAB	CAB'S CROSSED		
				1	2	3
KP15-C	XM15	7	-	-	-	-
XM15	BA15	5	-	-	-	-
BA15	DW15	-	5	7	10	-
DW15	NEXT LOGIC	-	5	7	10	12
DR15	NEXT LOGIC LEFT	-	5	7	10	-
DR15	NEXT LOGIC RIGHT	-	-	10	12	15
RP15	RF15	-	5	-	-	-
RP15	NEXT LOGIC	-	-	10	12	15
RF15	NEXT LOGIC	-	-	10	12	15
TC15	NEXT LOGIC	-	7	10	12	15
AA15	AD15	5	-	-	-	-
AA15	NEXT LOGIC	-	7	10	12	15
AD15	NEXT LOGIC	-	5	7	10	-
LP15	NEXT LOGIC	3	5	7	10	15
CR15	NEXT LOGIC	-	5	-	-	-
VT15	NEXT LOGIC	5	3	-	-	-

NEGATIVE I/O BUS BC09A

LEAVING	TO	SAME CAB	NEXT CAB
DW15	NEXT LOGIC	5	-
TC59	NEXT LOGIC	7	10
DB09	NEXT LOGIC	3	7
DP09	NEXT LOGIC	3	7
AF01	NEXT LOGIC	5	-
AM09	NEXT LOGIC	5	-
LT19	NEXT LOGIC	3	7

INPUT/OUTPUT BUS ROUTING

REVISIONS

CHK	CHANGE NO.	REV.

"THIS DRAWING AND SPECIFICATIONS, HEREIN, ARE THE PROPERTY OF DIGITAL EQUIPMENT CORPORATION AND SHALL NOT BE REPRODUCED OR COPIED OR USED IN WHOLE OR IN PART AS THE BASIS FOR THE MANUFACTURE OR SALE OF ITEMS WITHOUT WRITTEN PERMISSION. COPYRIGHT © 1975 DIGITAL EQUIPMENT CORPORATION"

2-0-001AX 2

NOTE: 1. BC098 ASSY FORMS 1 POSITIVE I/O BUS CABLE. 2 BC09A ASSY FORMS 1 NEGATIVE I/O BUS CABLE. SEE PAGE 2 OF 5. THIS PRINT FOR CABLE LENGTHS IN FEET.

FROM		TO		CABLE NAME	CABLE NO	CABLE TYPE	REMARKS
DEVICE	LOCATION	DEVICE	LOCATION				
DR15C	B18	DR11C *1	CONN 2	INTERFACE	BC08R-10		
DR15C	B17	DR11C *1	CONN 1	INTERFACE	BC08R-10		
DR15C	A18	DR11C *0	CONN 2	INTERFACE	BC08R-10		
DR15C	A17	DR11C *0	CONN 1	INTERFACE	BC08R-10		
RF15	EF02/03			POS I/O BUS	BC09B-T	COAX	SEE NOTE #1
RF15	EF04/05			POS I/O BUS	BC09B-T	COAX	SEE NOTE #1
RF15	C31	RS09	A24	CTRL & DATA	7005820-4	FLAT COAX	CONTROL TO DESK
RF15	C32	RS09	A25	CTRL & DATA	7005820-4	FLAT COAX	
RF15	D31	RS09	B24	CTRL & DATA	7005820-4	FLAT COAX	
RF15	D32	RS09	B25	CTRL & DATA	7005820-4	FLAT COAX	
RF15	C01	IND PANEL	TOP RIGHT	INDIC PANEL		FLEXPRINT	
RF15	D01	IND PANEL	BOTTOM RIGHT	INDIC PANEL		FLEXPRINT	
RF15	E01	IND PANEL	TOP LEFT	INDIC PANEL		FLEXPRINT	
RF15	F01	IND PANEL	BOTTOM LEFT	INDIC PANEL		FLEXPRINT	
RS09	A28	RS09	A24	CTRL & DATA	7005820-L	FLAT COAX	DISK TO DISK
RS09	A27	RS09	A25	CTRL & DATA	7005820-L	FLAT COAX	L-2 FOR RS09-B-C
RS09	B26	RS09	B24	CTRL & DATA	7005820-L	FLAT COAX	L-4 FOR RS09-D
RS09	B27	RS09	B25	CTRL & DATA	7005820-L	FLAT COAX	
VT15A	HJ29/30			POS I/O BUS	BC09B-T	COAX	SEE NOTE #1
VT15A	HJ31/32			POS I/O BUS	BC09B-T	COAX	SEE NOTE #1
VT15A	BNC'S	VT04	BNC'S	X-Y VIDEO		COAX ASSY	ASSY IS CONTROL TO 7006577-2 TERMINAL
VT15A	BNC	BV04	BNC	Z VIDEO		COAX ASSY	
VT15A	HJ02/03	BV04	AB06	DATA CTRL	7006841-30		
VT15A	D01	IND PANEL	TOP RIGHT	INDIC PANEL		FLEXPRINT	CABLES ARE PART OF INDICATOR PANEL (7006331-2) AS VIEWED FROM REAR
VT15A	E01	IND PANEL	BOTTOM RIGHT	INDIC PANEL		FLEXPRINT	
VT15A	F01	IND PANEL	TOP LEFT	INDIC PANEL		FLEXPRINT	
VT15A	H01	IND PANEL	BOTTOM LEFT	INDIC PANEL		FLEXPRINT	
BV04	A11	VT04	BNC & AMPHENOL	CRT INTENSITY	7006808	BELDEN & COAX	2 VIDEO TO KRATOS DISPLAY
BV04	BNC	LIGHT PEN	PHONE JAX	LIGHT PEN	7006808	COAX	CABLE IS PART OF VT04 GRAPHICS OPTIONS
BV04	A24	LK35		KEYBOARD		RIBBON	
BV04	B24	LT10E	TTY INPUT	KEYBOARD DATA	7006859	BELDEN	
BV04	A12	PUSH BUTTONS		SWITCHES (K501)		RIBBON	CABLE IS PART OF SWITCH ASSY 7006727
BV04	A13	PUSH BUTTONS		SWITCHES (K501)		RIBBON	
XY15	AB01/02			NEG I/O BUS	BC09A-T	COAX	SEE NOTE #1
XY15	AB03/04			NEG I/O BUS	BC09A-T	COAX	SEE NOTE #1
XY15	AB05/06			NEG I/O BUS	BC09A-T	COAX	SEE NOTE #1
XY15	AB07/08			NEG I/O BUS	BC09A-T	COAX	SEE NOTE #1
XY15	AB09	PLOTTER		DATA CNTRL	7005543		
DR09-A	AB01/02			NEG I/O BUS	BC09A-T	COAX	SEE NOTE #1
DR09-A	AB03/04			NEG I/O BUS	BC09A-T	COAX	SEE NOTE #1
DR09-A	AB05/06			NEG I/O BUS	BC09A-T	COAX	SEE NOTE #1
DR09-A	AB07/08			NEG I/O BUS	BC09A-T	COAX	SEE NOTE #1
DR09-A	A31			RELAYS			CUSTOMER CONNECTIONS
DR09-A	A32			RELAYS			VIA 2-W23 MODULES

FROM		TO		CABLE NAME	CABLE NO	CABLE TYPE	REMARKS
DEVICE	LOCATION	DEVICE	LOCATION				
7006351	AB01/02			NEG I/O BUS	BC09A-T	COAX	SEE NOTE #1
7006351	AB03/04			NEG I/O BUS	BC09A-T	COAX	SEE NOTE #1
7006351	AB05/06			NEG I/O BUS	BC09A-T	COAX	SEE NOTE #1
7006351	AB07/08			NEG I/O BUS	BC09A-T	COAX	SEE NOTE #1
7006351	H09	AA05D	A09	BUS INTERF	BC08E-9	FLEXPRINT	INTERFACE TO I/O BUS THROUGH 7006351
7006351	J09	AA05D	B09	BUS INTERF	BC08E-9	FLEXPRINT	
7006351	H10	AA05D	A10	BUS INTERF	BC08E-9	FLEXPRINT	
7006351	J10	AA05D	B10	BUS INTERF	BC08E-9	FLEXPRINT	
AA05D	A27	AA07C	A29	DATA CONN	BC08B-4	FLAT COAX	
AA05D	A28	AA07C	A31	DATA CONN	BC08B-4	FLAT COAX	
AA05D	A29	AA07C	A32	DATA CONN	BC08B-4	FLAT COAX	
AA05D	A30	AA07C	A30	DATA CONN	BC08B-4	FLAT COAX	
AF01B	CD 15/16			NEG I/O BUS	BC09A-T	COAX	SEE NOTE #1
AF01B	CD 17/18			NEG I/O BUS	BC09A-T	COAX	SEE NOTE #1
AF01B	CD 19/20			NEG I/O BUS	BC09A-T	COAX	SEE NOTE #1
AF01B	CD 21/22			NEG I/O BUS	BC09A-T	COAX	SEE NOTE #1
TC15	CD 01/02			POS I/O BUS	BC09B-T	COAX	SEE NOTE #1
TC15	CD 03/04			POS I/O BUS	BC09B-T	COAX	SEE NOTE #1
TC15	AB21	TU56	AB10	DATA CABLE	7405152-1	MICRO DOT	TC15 TO TU56
TC15	A28	TU56	A06	COMMAND	BC02X-3	RIBBON	
TU56	AB11	TU56	AB10	DATA CABLE	7405152-1	MICRO DOT	TU56 TO TU56
TU56	A07	TU56	A06	COMMAND	BC02X-3	RIBBON	
AA15	AB02/03			POS I/O BUS	BC09B-T	COAX	SEE NOTE #1
AA15	AB04/05			POS I/O BUS	BC09B-T	COAX	SEE NOTE #1
AA15	B25	7006831		ANALOG OUT			CABLE PART OF ASSY 7006831
KP15-C	J02	FP15	H29	MDL	BC08A-5	FLEXPRINT	
KP15-C	J03	FP15	H30	MDL	BC08A-5	FLEXPRINT	
KP15-C	H03	FP15	H31	API CONTROL	BC08A-5	FLEXPRINT	
FP15	J31	XM15	E05	API CONTROL	BC08A-6	FLEXPRINT	
FP15	J29	XM15	A08	MDL	BC08A-7	FLEXPRINT	
FP15	J30	XM15	B08	MDL	BC08A-7	FLEXPRINT	
LP15F	AB02/03			POS I/O BUS	BC09B-T	COAX	SEE NOTE #1
LP15F	AB04/05			POS I/O BUS	BC09B-T	COAX	SEE NOTE #1
LP15F	B32	LP		DATA CABLE	7006606	COAX	
LP15F	C30	INDIC PANEL	TOP RIGHT	INDIC PANEL		FLEXPRINT	CABLES ARE PART OF INDIC. ASSY 7006331-10 AS VIEWED FROM REAR
LP15F	C31	INDIC PANEL	TOP LEFT	INDIC PANEL		FLEXPRINT	
LP15F	C32	INDIC PANEL	BOTTOM RIGHT	INDIC PANEL		FLEXPRINT	
KP15-C	K02	TELETYPE		TTY		BELDEN	PART OF TTY ASSY (7006593 OR 7006594)
KP15-C	L02	CONSOLE		CONSOLE		FLEXPRINT	PART OF INDICATOR PANEL (7006300)
HP05-C (PWR) SEQ	K03	050A		PWR SEQ			PART OF HARNESS
HP05-C (RTC)	L03	PWR SUPPLY		RTC			REAR OF MODULES
KP15-C	H02	XM15	D05	I BUS	7006437-8	FLEXPRINT	
KP15-C	MN02/03	XM15	AB01/02	POS I/O BUS	BC09B-7	COAX	
XM15	AB03/04	BA15	AB02/03	POS I/O BUS	BC09B-5	COAX	

REVISIONS		
CHK	CHANGE NO.	REV

"THIS DRAWING AND SPECIFICATIONS HEREIN ARE THE PROPERTY OF DIGITAL EQUIPMENT CORPORATION AND SHALL NOT BE REPRODUCED OR COPIED OR USED IN WHOLE OR IN PART AS THE BASIS FOR THE MANUFACTURE OR SALE OF ITEMS WITHOUT WRITTEN PERMISSION. COPYRIGHT © 1975, DIGITAL EQUIPMENT CORPORATION"

FROM		TO		CABLE NAME	CABLE NO	CABLE TYPE	REMARKS
DEVICE	LOCATION	DEVICE	LOCATION				
CR15	AB07/08			POS I/O BUS	BC09B-T	COAX	
CR15	AB09/10			POS I/O BUS	BC09B-T	COAX	
CR15	AB01/02	CR15		DATA/CNTRL	I7008594	COAX	
KP15-C	J02	XM15	A08	MDL	BC08A-7	FLEXPRINT	NO FPI5
KP15-C	J03	XM15	B08	MDL	BC08A-7	FLEXPRINT	NO FPI5
KP15-C	H03	XM15	E05	API/CNTRL	BC08A-8	FLEXPRINT	NO FPI5
XM15	CD10	MEMORY	AB01		BC11A	FLEXPRINT	MEM BUS 1
XM15	CD13	MEMORY	AB01		BC11A	FLEXPRINT	MEM BUS 2
BA15	B13	PC05	B10	PUNCH	BC08A-7	FLEXPRINT	
BA15	B28	PC05	B00	READER	BC08A-7	FLEXPRINT	
BA15	B27	TTY		TTY		BELDEN	PART OF TTY ASSY (7008594 OR 7008593)
BA15	B18	SCOPE		DISPLAY	7008706	ASSEMBLY	FOR VP15-A
					7005772	ASSEMBLY	FOR VP15-B
					7005772	ASSEMBLY	FOR VP15-C
BA15	AB04/05			POS I/O BUS	DC09B-T	COAX	SEE NOTE #1
DW15	AB02/03			POS I/O BUS	BC09B-T	COAX	SEE NOTE #1
DW15	AB04/05			POS I/O BUS	BC09B-T	COAX	SEE NOTE #1
DW15	AB25/26			NEG I/O BUS	BC09A-T	COAX	SEE NOTE #1
DW15	AB27/28			NEG I/O BUS	BC09A-T	COAX	SEE NOTE #1
TC50	EF01/02			NEG I/O BUS	BC09A-T	COAX	SEE NOTE #1
TC50	EF03/04			NEG I/O BUS	BC09A-T	COAX	SEE NOTE #1
TC50	EF05/06			NEG I/O BUS	BC09A-T	COAX	SEE NOTE #1
TC50	EF07/08			NEG I/O BUS	BC09A-T	COAX	SEE NOTE #1
TC50	A01	TU10	A18 SIDE 1	READ DATA	BC09P	COAX	CONTROL TO MAGTAPE TRANSPORT
TC50	A02	TU10	A18 SIDE 2	STATUS	BC09P	COAX	
TC50	A03	TU10	A18 SIDE 2	DENSITY	BC09N	COAX	
TC50	B01	TU10	A17 SIDE 1	WRITE DATA	BC09P	COAX	
TC50	B02	TU10	A17 SIDE 2	COMMAND	BC09P	COAX	
TU10	B10 SIDE 1	TU10	A18 SIDE 1	READ DATA	BC09N-15	COAX	MAGTAPE TRANSPORT TO MAGTAPE TRANSPORT
TU10	B10 SIDE 2	TU10	A18 SIDE 2	STATUS	BC09N-15	COAX	
TU10	B10 SIDE 2	TU10	A18 SIDE 2	DENSITY	BC09N-15	COAX	
TU10	B17 SIDE 1	TU10	A17 SIDE 1	WRITE DATA	BC09N-15	COAX	
TU10	B17 SIDE 2	TU10	A17 SIDE 2	COMMAND	BC09N-15	COAX	
LT100	CD01/02			NEG I/O BUS	BC09A-T	COAX	SEE NOTE #1
BA15	AB04/05	DR15C	AB21/02	POS I/O BUS	BC09B-T	COAX	SEE NOTE #1
DR15C	AB03/04			POS I/O BUS	BC09B-T	COAX	SEE NOTE #1
LT100	CD03/04			NEG I/O BUS	BC09A-T	COAX	SEE NOTE #1
LT100	CD05/06			NEG I/O BUS	BC09A-T	COAX	SEE NOTE #1
LT100	CD07/08			NEG I/O BUS	BC09A-T	COAX	SEE NOTE #1
LT100E(1)	D13	TTY(1)		TTY(1)		BELDEN	PART OF TTY ASSY 7008593 OR 7008594
LT100E(2)	D21	TTY(2)		TTY(2)		BELDEN	
LT100E(3)	D02	TTY(3)		TTY(3)		BELDEN	
LT100E(4)	B10	TTY(4)		TTY(4)		BELDEN	
LT100E(5)	B18	TTY(5)		TTY(5)		BELDEN	

FROM		TO		CABLE NAME	CABLE NO	CABLE TYPE	REMARKS
DEVICE	LOCATION	DEVICE	LOCATION				
LT100F(1)	A25	DATA SET		DATA SET(1)	7005717	BELDEN	ASSY INCLUDES DATA SET CONNECTOR
LT100F(2)	A26	DATA SET		DATA SET(2)	7005717	BELDEN	
LT100F(3)	A27	DATA SET		DATA SET(3)	7005717	BELDEN	
LT100F(4)	A28	DATA SET		DATA SET(4)	7005717	BELDEN	
LT100F(5)	A29	DATA SET		DATA SET(5)	7005717	BELDEN	
DB09	AB01/02			NEG I/O BUS	BC09A-T	COAX	SEE NOTE #1
DB09	AB03/04			NEG I/O BUS	BC09A-T	COAX	SEE NOTE #1
DB09	CD01/02			NEG I/O BUS	BC09A-T	COAX	SEE NOTE #1
DB09	CD03/04			NEG I/O BUS	BC09A-T	COAX	SEE NOTE #1
DB09	AB23/24	DB09/09	AB23/24	DATA CABLE	BC09A-L	COAX	L-LENGTH WILL DEPEND ON DISTANCE BETWEEN SYSTEMS
DB09	CD23/24	DB09/09	CD23/24	DATA CABLE	BC09A-L	COAX	
DP09A	AB01/02			NEG I/O BUS	BC09A-T	COAX	SEE NOTE #1
DP09A	AB03/04			NEG I/O BUS	BC09A-T	COAX	SEE NOTE #1
DP09A	AB05/06			NEG I/O BUS	BC09A-T	COAX	SEE NOTE #1
DP09A	AB07/08			NEG I/O BUS	BC09A-T	COAX	SEE NOTE #1
B37	A01	DP09A	B09	INTERFACE	7405553-20	FLEXPRINT	DATA SET XMIT/REC LOGIC TO INTERFACE
B37	A02	DP09A	B10	INTERFACE	7405553-29	FLEXPRINT	
B37	B01	DP09A	B11	INTERFACE	7405553-30	FLEXPRINT	
B37	B02	DP09A	B12	INTERFACE	7405553-30	FLEXPRINT	
B37	B03	DP09A	B13	INTERFACE	7405553-30	FLEXPRINT	
B37	A03	DATA SET		DATA/CNTRL	7005639-1	BELDEN	
AD15	AB01/02			POS I/O BUS	BC09B-T	COAX	SEE NOTE #1
AD15	AB03/04			POS I/O BUS	BC09B-T	COAX	SEE NOTE #1
AD15	E14			ANALOG IN		RIBBON	CABLES ARE PART OF ASSY BC01N-4 OR BC01P-4
AD15	F14			ANALOG IN		RIBBON	
AD15	AB14	AMP1		MULTIPLEX	W095	FLEXPRINT	FOR EXPANSION ON INPUT CHANNEL MULTIPLEXER
AMP09	AB01/02			NEG I/O BUS	BC09A-T	COAX	SEE NOTE #1
AMP09	AB03/04			NEG I/O BUS	BC09A-T	COAX	SEE NOTE #1
AMP09	AB05/06			NEG I/O BUS	BC09A-T	COAX	SEE NOTE #1
AMP09	AB07/08			NEG I/O BUS	BC09A-T	COAX	SEE NOTE #1
EXP		XM15	AB13		BC11A	FLEXPRINT	EXTERNAL PROCESSOR BUS
XM15	AB00	NEXT PERPH			BC11A	FLEXPRINT	
BD15	AB02/03			POS I/O BUS	BC09B-T	COAX	SEE NOTE #1
BD15	AB04/05			POS I/O BUS	BC09B-T	COAX	SEE NOTE #1
BD15		AFC15					SEE PRINT
BD15		UDC15					D-AR-BD15-0-21
TC15	AB21	TU55	AB02	DATA	7405152-1	ASSY	CONTROL TO TRANSPORT
TC15	A27	TU55	AB05	COMMAND	7405151-1	ASSY	
TC02	CD25	TU50	AB10	DATA	7405152-1	ASSY	CONTROL TO TRANSPORT
TC02	C32	TU50	AB02	COMMAND	7009223	ASSY	
TU50	AB11	TU55	AB02	DATA	7405152-1	ASSY	TRANSPORT TO TRANSPORT
TU50	AB7	TU55	AB05	COMMAND	7009223	ASSY	(TC02 CONTROLLER)
FP15	J05	IND PANEL	BOTTOM RIGHT	INDIC PANEL		FLEXPRINT	CABLES ARE PART OF INDICATOR PANEL (7008331-20) AS VIEWED FROM REAR
FP15	J06	IND PANEL	BOTTOM LEFT	INDIC PANEL		FLEXPRINT	
FP15	J03	IND PANEL	TOP RIGHT	INDIC PANEL		FLEXPRINT	
FP15	J04	IND PANEL	TOP LEFT	INDIC PANEL		FLEXPRINT	

REVISIONS		
CHK	CHANGE NO	REV.

D AR XVID-0-2

DRAWING DIRECTORY

"THIS DRAWING AND SPECIFICATIONS, HEREIN, ARE THE PROPERTY OF DIGITAL EQUIPMENT CORPORATION AND SHALL NOT BE REPRODUCED OR COPIED OR USED IN WHOLE OR IN PART AS THE BASIS FOR THE MANUFACTURE OR SALE OF ITEMS WITHOUT WRITTEN PERMISSION. COPYRIGHT © 1975 . DIGITAL EQUIPMENT CORPORATION"

CUSTOMER PRINT SET INDEX

	SEQUENCE	↖	B-DD-KC15C-Ø	↗		SEQUENCE	↖
CONSOLE KC15C							
CONSOLE ASSY (KC15C)			E-UA-KC15C-Ø-Ø				
CONSOLE ASSY (KC15C) (P.L.)			A-PL-KC15C-Ø-Ø				
SWITCH BOARD			E-1A-5408392-Ø-Ø				
CIRCUIT SCHEMATIC			C-CS-5408392-Ø-1				
LIGHT BOARD			D-1A-5408394-YA-Ø				
CIRCUIT SCHEMATIC			D-CS-5408394-YA-1				

THIS IS PRINT SET

--	--	--	--	--	--	--

UNIT VARIATIONS		PRINT SET				
VAR	TITLE					
KC15C	CONSOLE KC15C					

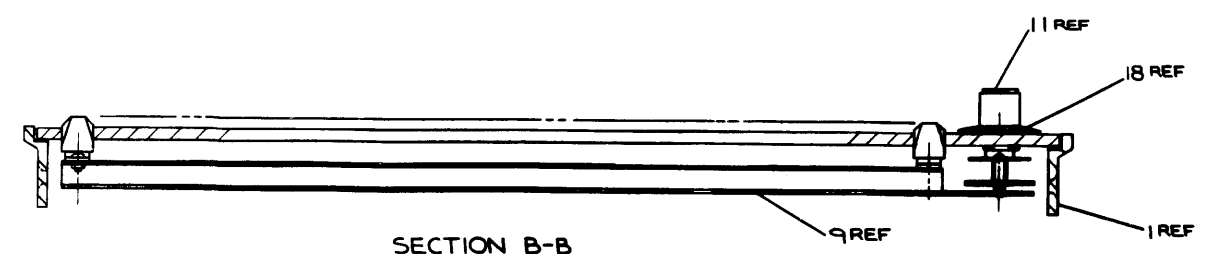
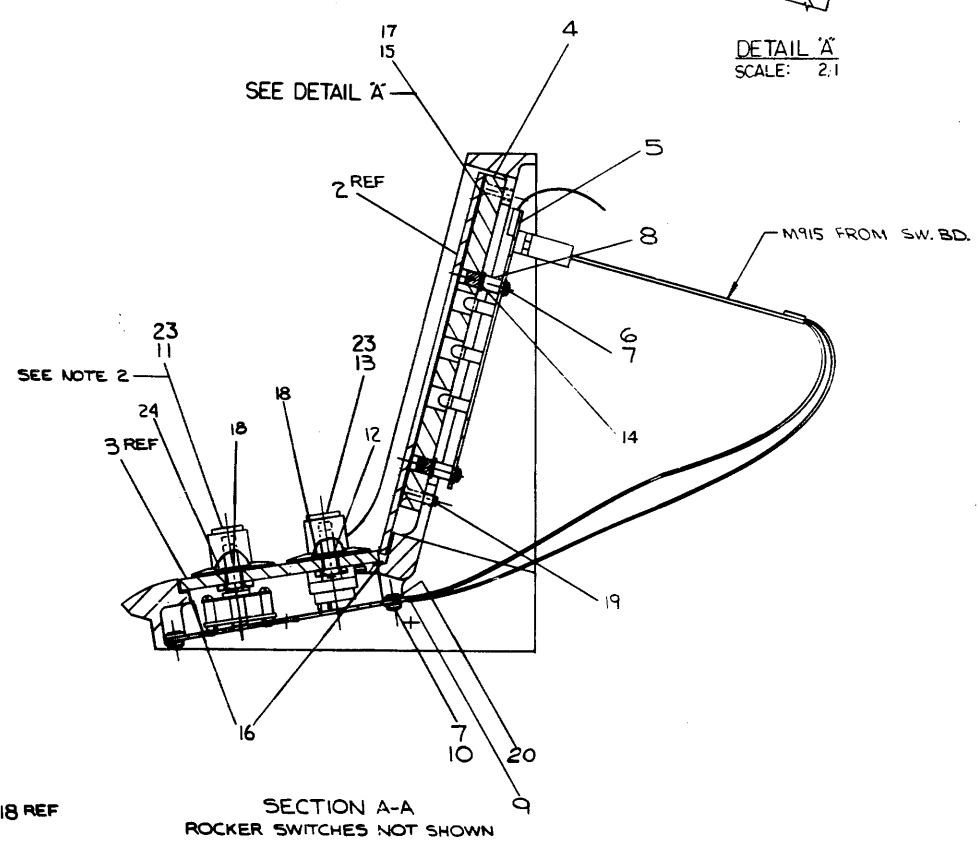
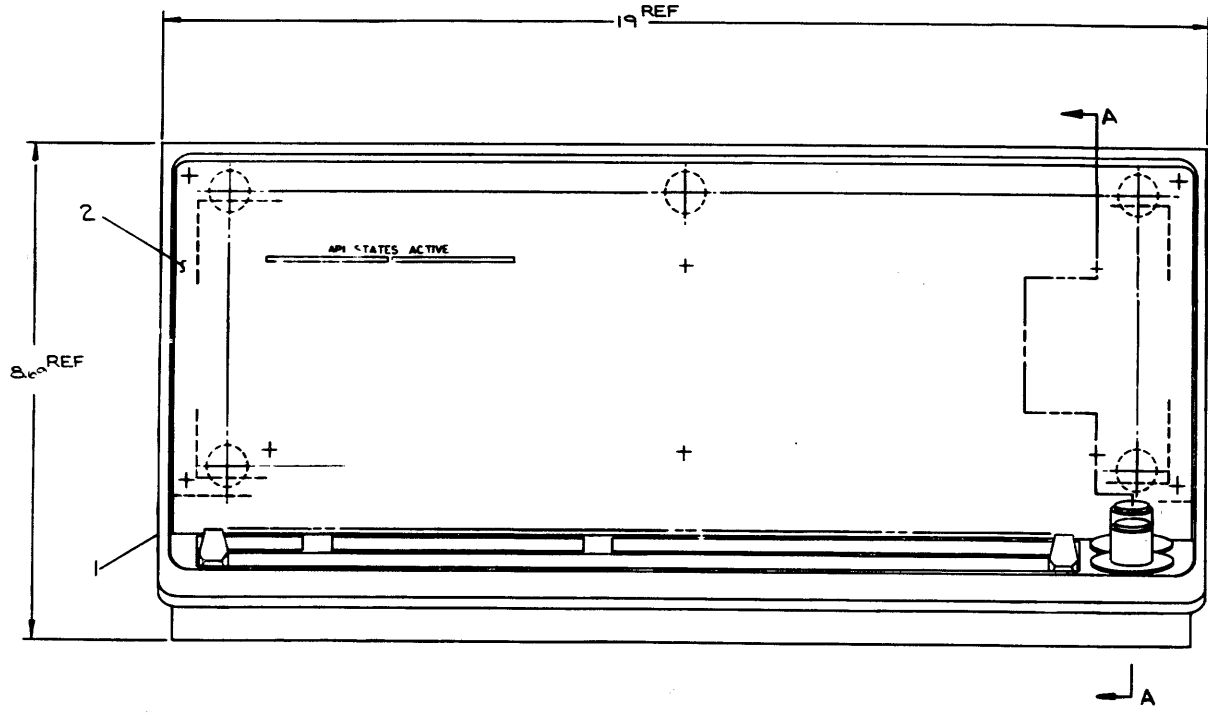
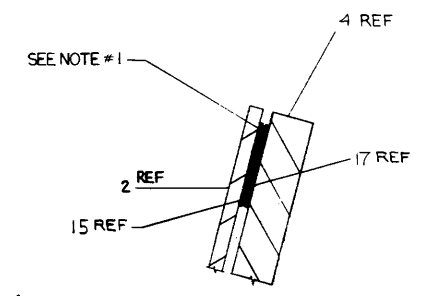
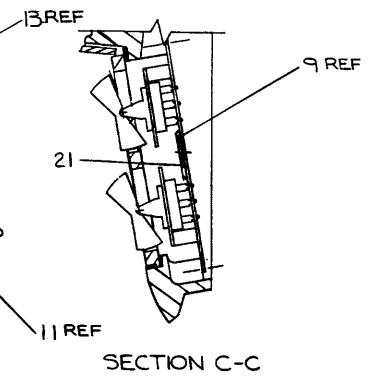
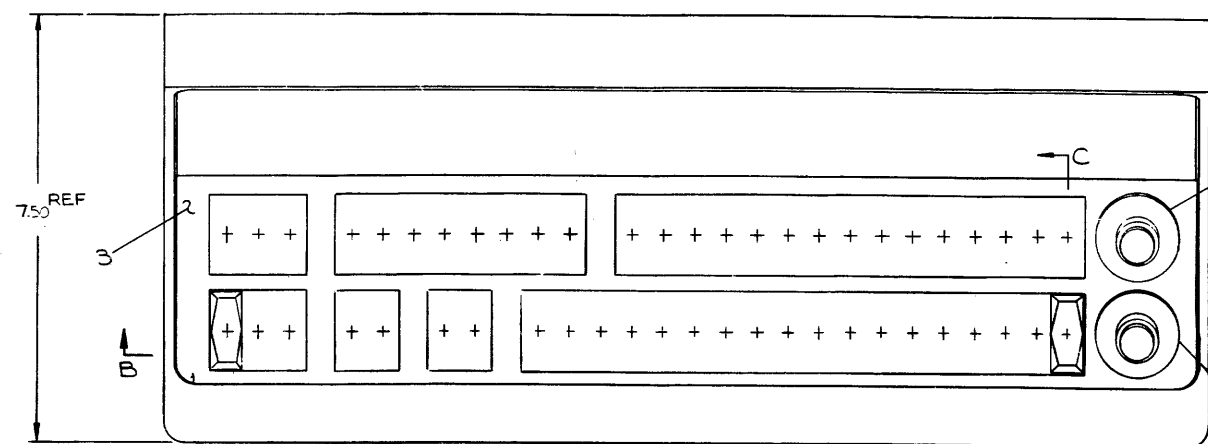
DEC 16-1350-1600-1A-1072

REVISIONS <table border="1"> <tr><th>DATE</th><th>CHG. NO.</th><th>REV</th></tr> <tr><td> </td><td> </td><td> </td></tr> </table>	DATE	CHG. NO.	REV				USED ON OPTION/MODEL PDP15-C	DRG R.W. Counter 3/17/75	DATE 3/17/75	TITLE CONSOLE KC15C			
	DATE	CHG. NO.	REV										
			CHK'D R. D. O'Neil	DATE 4/24/75									
			PROVING F. D. ...	DATE 4/25/75									
		PROP. 	DATE 	SIZE	CODE	NUMBER	REV						
		PREP. SERV. 	DATE 	B	DD	KC15C-Ø							
	SHEET 1 OF 2		DATE 4/30/75	DIST									

CUSTOMER PRINT SET		ELECTRICAL					CUSTOMER PRINT SET		MECHANICAL								
		MFG. SET	FIND NO.	DRAWING NO.	REV	NO OF SHT	DESCRIPTION	OPTION NO./FILE DATE			MFG. SET	FIND NO.	DRAWING NO.	REV	NO OF SHT	DESCRIPTION	OPTION NO./FILE DATE
X				E-IA-5408392-Ø-Ø	REF		SWITCH BOARD		X			1	E-UA-KC15C-Ø-Ø	A	1	CONSOLE ASSY (KC15C)	
X				C-CS-5408392-Ø-1	REF		CIRCUIT SCHEMATIC		X				A-PL-KC15C-Ø-Ø	A	2	CONSOLE ASSY (KC15C) (P.L.)	
X				D-IA-5408394-YA-Ø	REF		LIGHT BOARD										
X				D-CS-5408394-YA-1	REF		CIRCUIT SCHEMATIC										
CUSTOMER PRINT SET CODES		X = PRINT OF DOCUMENT INCLUDED IN PRINT SET C = INCLUDES ALL PRINTS INDICATED ON DOCUMENT S = CONFIDENTIAL AUTHORIZED SIGNATURE REQUIRED							TITLE		SIZE CODE		NUMBER		REV		
									CONSOLE KC15C		B DD		KC15C-Ø				
									SHEET 2 OF 2								

1. Apply Item #22 (VELCRO LIQUID ADHESIVE) ON THE BACK OF ITEMS # 15 & 17.
 2. ADD #10 INTERNAL TOOTH LOCK WASHER (ITEM 23) A/R BETWEEN KNURL NUT AND KNOB TO OBTAIN 1/16" SPACING BETWEEN SWITCH COVER AND KNOB SKIRT.

NOTES:
 1. APPLY ITEM #22 (VELCRO LIQUID ADHESIVE) ON THE BACK OF ITEMS # 15 & 17.
 2. ADD #10 INTERNAL TOOTH LOCK WASHER (ITEM 23) A/R BETWEEN KNURL NUT AND KNOB TO OBTAIN 1/16" SPACING BETWEEN SWITCH COVER AND KNOB SKIRT.



PART USED ON OPT. MODEL		QTY.	DESCRIPTION	PART NO.	REV.
PCP15-C					
UNLESS OTHERWISE SPECIFIED					
FINISHES TO BE AS SHOWN					
TOLERANCES UNLESS OTHERWISE SPECIFIED					
DIMENSIONS TO BE IN UNLESS OTHERWISE SPECIFIED					
MATERIALS TO BE AS SHOWN UNLESS OTHERWISE SPECIFIED					
STANDARD ELECTRICAL SYMBOLS TO BE AS SHOWN					
DRAWN BY: [Signature]					
CHECKED BY: [Signature]					
DATE: [Date]					
SCALE: 1:1					
EQUIPMENT CORPORATION					
CONSOLE ASSEMBLY					
EUA-PDP15-C-0					

DIGITAL EQUIPMENT CORPORATION
MAYNARD, MASSACHUSETTS
PARTS LIST

QUANTITY / VARIATION

MADE BY	R. CAUNTER	CHECKED	<i>[Signature]</i>	SECTION
DATE	3/11/75	DATE	3/23/75	ISSUED SECT.
ENG	<i>[Signature]</i>	PROD	<i>[Signature]</i>	
DATE	5/21/75	DATE	5/22/75	
ITEM NO	DWG NO. / PART NO.	DESCRIPTION		
1	E-MD-7407125-0-0	BEZEL, CONSOLE UNIVERSAL		
2	D-IA-7406841-0-0	PANEL CONTROL		
3	D-IA-7408187-0-0	COVER CONTROL PANEL		
4	D-IA-7407103-0-0	GLASS SUPPORT (CONSOLE)		
5	D-IA-7010684-0-0	LIGHT BOARD ASSY		
6	9006026-1	SCR PHL PAN HD #6-32 X 3/4 LG		
7	9006707	WASH .156 X .312 X 1/32 NYLON		
8	9006801	SPACER 1/4 AF X 3/8 LG #6		
9	D-IA-7006325-0-0	SWITCH BOARD ASSY		
10	9006021-1	SCR PHL PAN HD #6-32 X 5/16 LG		
11	1209560-2	CONSOLE KNOB		
12	9007628	NUT, KNURLED ROUND 3/8-32 X 3/32 THK X 1/4 OD		
13	1209560-1	CONSOLE KNOB		
14	9007835	"O" RING #006 BUNA-N		
15	9008890-01	3/4" DIA VELCOIN HOOK #65 SA-0140 PRECOAT		
16	9007834	TAPE DBL STICKY #4032 1/32 THK		
17	9008890-02	3/4 DIA VELCOIN LOOP SA-0140 PRECOAT		
18	9007962	WASH, FLAT NYLON		
19	9006025-2	SCR PHL FLAT HD #6-32 X 5/8		
20	9007632	WASH SHOULD #2153		
21	1809743	SWITCH BOARD FOAM SHIELD		

DEC FORM DEC 16 (325) 1031 N870
DRA 110

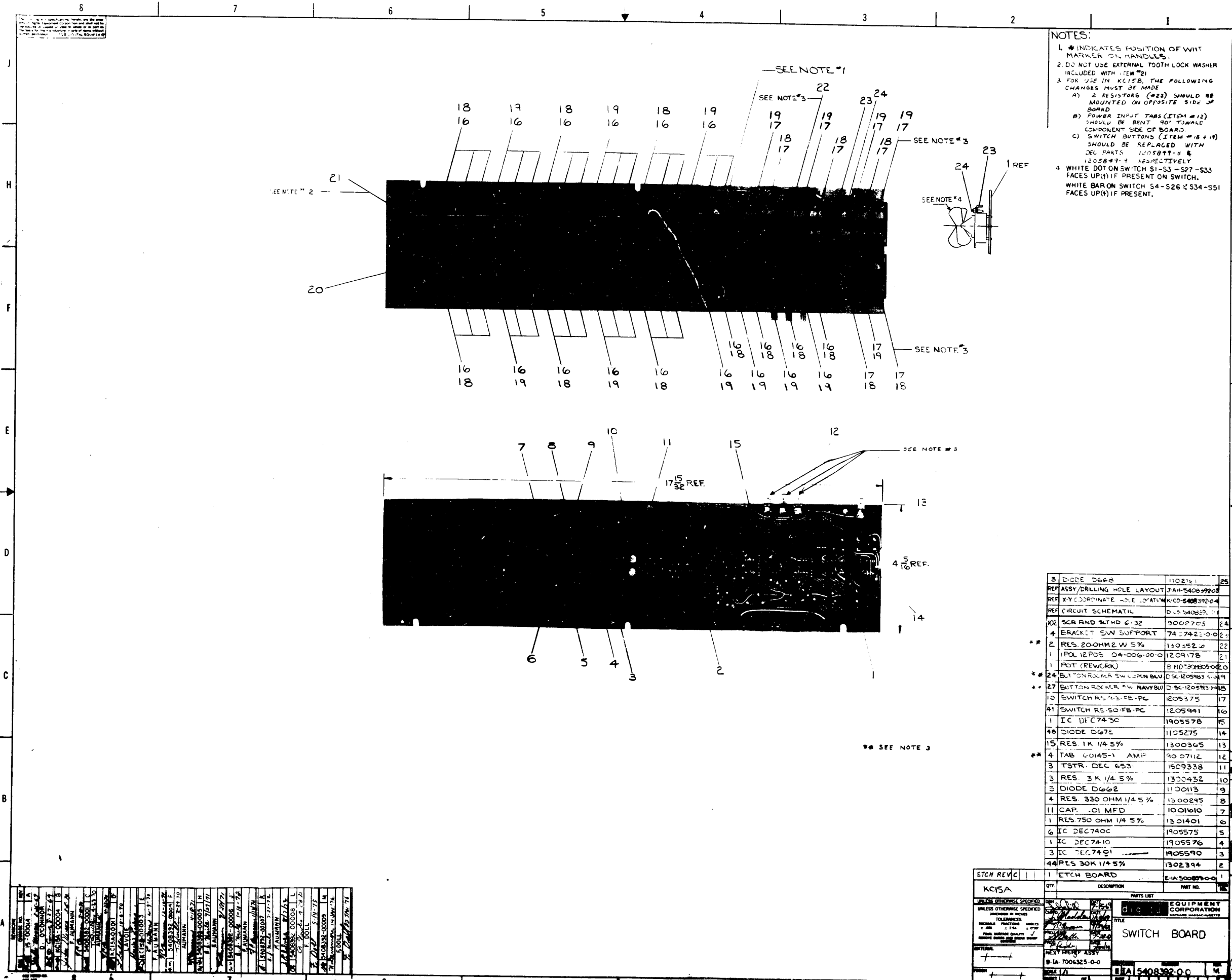
TITLE	KC15C CONSOLE ASSY	ASSY NO.	E-UA-KC15C-0-0	SIZE CODE	A PL	NUMBER	KC15C-0-0	REV	ECO NO
SHEET	1	OF	2	DIST.					

DIGITAL EQUIPMENT CORPORATION
MAYNARD, MASSACHUSETTS
PARTS LIST

QUANTITY / VARIATION

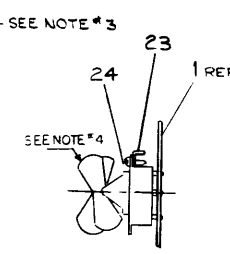
MADE BY	R. CAUNTER	CHECKED	<i>[Signature]</i>	SECTION
DATE	3/11/75	DATE	3/22/75	ISSUED SECT.
ENG	<i>[Signature]</i>	PROD	<i>[Signature]</i>	
DATE	5/21/75	DATE	5/22/75	
ITEM NO	DWG NO. / PART NO.	DESCRIPTION		
22	9008886	VELCRO #45 LIQUID ADHESIVE		
23	9006635	WASH LOCK INT		
24	9009691	NUT 3/8-32 x 7/16 x 7/32 THK.		

TITLE	KC15C CONSOLE ASSY	ASSY NO.	E-UA-KC15C-0-0	SIZE CODE	A PL	NUMBER	KC15C-0-0	REV	ECO NO
SHEET	2	OF	2	DIST.					



NOTES:

- * INDICATES POSITION OF WHT MARKER ON HANDLES.
- DO NOT USE EXTERNAL TOOTH WASHER INCLUDED WITH ITEM #21 FOR USE IN KC15B, THE FOLLOWING CHANGES MUST BE MADE:
 - 2 RESISTORS (#22) SHOULD BE MOUNTED ON OPPOSITE SIDE OF BOARD
 - POWER INPUT TABS (ITEM #12) SHOULD BE BENT 90° TOWARD COMPONENT SIDE OF BOARD
 - SWITCH BUTTONS (ITEM #18 + 19) SHOULD BE REPLACED WITH DEL PARTS 1205899-3 & 1205899-4 RESPECTIVELY
- WHITE DOT ON SWITCH S1-S3-S27-S33 FACES UP (1) IF PRESENT ON SWITCH. WHITE BAR ON SWITCH S4-S26 & S34-S51 FACES UP (1) IF PRESENT.



QTY	DESCRIPTION	PART NO.	REF
3	DIODE D668	1102161	25
REF	ASSY/DRILLING HOLE LAYOUT JAH-54083920		
REF	XY COORDINATE HOLE LOCATION KCD-54083920-4		
REF	CIRCUIT SCHEMATIC DLS-540859-01		
102	SCR RND 94TH 6-32	9008705	24
4	BRACKET SW SUPPORT	74-7423-0-0	21
**	2 RES 200HM 2W 5%	1504520	22
1	1POL 12POS 04-006-00-0	1209178	21
1	POT (REWORK)	8ND33H050020	
**	24 BUTTON ROCKER SW COMN BAU	05C1205983-0-19	
**	27 BUTTON ROCKER SW NAVY BU	05C1205983-0-18	
10	SWITCH RS 43-FB-PC	1205375	17
41	SWITCH RS 50-FB-PC	1205941	16
1	IC DEC7430	1905578	15
48	DIODE D672	1102275	14
15	RES 1K 1/4 5%	1300365	13
**	4 TAB 60145-1 AMP	9007112	12
3	TSTR. DEC 653	1509338	11
3	RES 3K 1/4 5%	1300432	10
5	DIODE D662	1100113	9
4	RES 330 OHM 1/4 5%	1300295	8
11	CAP .01 MFD	1001610	7
1	RES 750 OHM 1/4 5%	1301401	6
6	IC DEC740C	1905575	5
1	IC DEC7410	1905576	4
3	IC DEC7401	1905590	3
44	RES 30K 1/4 5%	1302394	2

ETCH REV	QTY	DESCRIPTION	PART NO.
1	1	ETCH BOARD	E-1A-54083920-0

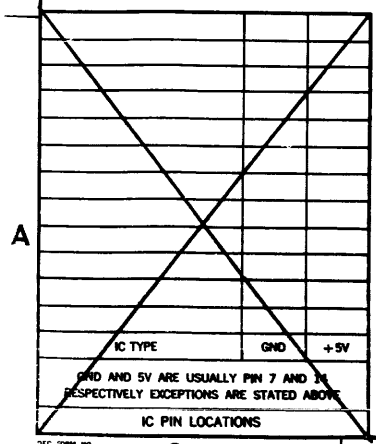
REV	DATE	DESCRIPTION	BY	CHKD
1	10/1/74	INITIAL RELEASE	W. J. GORDON	
2	10/1/74	REVISION	W. J. GORDON	
3	10/1/74	REVISION	W. J. GORDON	
4	10/1/74	REVISION	W. J. GORDON	
5	10/1/74	REVISION	W. J. GORDON	
6	10/1/74	REVISION	W. J. GORDON	
7	10/1/74	REVISION	W. J. GORDON	
8	10/1/74	REVISION	W. J. GORDON	
9	10/1/74	REVISION	W. J. GORDON	
10	10/1/74	REVISION	W. J. GORDON	
11	10/1/74	REVISION	W. J. GORDON	
12	10/1/74	REVISION	W. J. GORDON	
13	10/1/74	REVISION	W. J. GORDON	
14	10/1/74	REVISION	W. J. GORDON	
15	10/1/74	REVISION	W. J. GORDON	
16	10/1/74	REVISION	W. J. GORDON	
17	10/1/74	REVISION	W. J. GORDON	
18	10/1/74	REVISION	W. J. GORDON	
19	10/1/74	REVISION	W. J. GORDON	
20	10/1/74	REVISION	W. J. GORDON	
21	10/1/74	REVISION	W. J. GORDON	
22	10/1/74	REVISION	W. J. GORDON	
23	10/1/74	REVISION	W. J. GORDON	
24	10/1/74	REVISION	W. J. GORDON	

EIA-54083920-0 M

THIS DRAWING AND SPECIFICATIONS HEREIN ARE THE PROPERTY OF DIGITAL EQUIPMENT CORPORATION AND SHALL NOT BE REPRODUCED OR COPIED OR USED IN WHOLE OR IN PART AS THE BASIS FOR THE MANUFACTURE OR SALE OF ITEMS WITHOUT WRITTEN PERMISSION.
 COPYRIGHT © 1975 DIGITAL EQUIPMENT CORPORATION

NOTES: 1. FOR AH REFER TO J-AH-5408394-φ-5
 2. FOR DRAWING DIRECTORY REFER TO : B-DD-5408394-YA

WIRE ADD SIDE 1
 1. ADD WIRE (ITEM 19) AS SHOWN.
 ETCH CUT SIDE 2 AS SHOWN
 1. CUT ETCH AT "+1φ" REMOVE "+" & "φ"
 2. CUT ETCH AT "+3φ" REMOVE "+" & "φ"



QTY	REF. DESIGNATION	DESCRIPTION	PART NO.	ITEM NO.
1		ETCHED CIRCUIT BOARD	5008393	1
6	E1, E2, E3, E4	IC DEC 744C	1905579	2
1	E2	IC DEC 7410	1905576	3
2	E3, E4	IC DEC 7400	1905575	4
6	E5, E7, E9, E11, E13, E15	IC DEC 7401	1905590	5
12	Q71 THRU Q82	TRANS 2219A	1501861	6
70	Q1 THRU Q70	TRANS 6531	1509338	7
36	R1 THRU R36	RES 1K 5% 1/4W	1300365	8
2	R37, R39	RES 330 5% 1/4W	1300295	9
2	R38, R40	RES 750 5% 1/4W	1301401	10
15	C1 THRU C8, C10, C15, C19, C20, C21, C25, C26	CAP .01 50V	1001610-01	11
2	C9, C14	CAP 20 10% 50V	1002839	12
24	C11, C12, C13, C16, C17, C18, C22, C23, C24, C27 THRU C41	CAP .047 20% 250V	1003053	13
70	I1 THRU I70	LAMP	12-12264	14
1		CONN 36 PIN	5509071-1	15
3		TAB 42117-1	9008219	16
3		EYELET G54-7	9006732	17
140		SOCKET, MINIATURE SPRING	9007812	18
25'		WIRE #24 AWG GRN	9107689-55	19

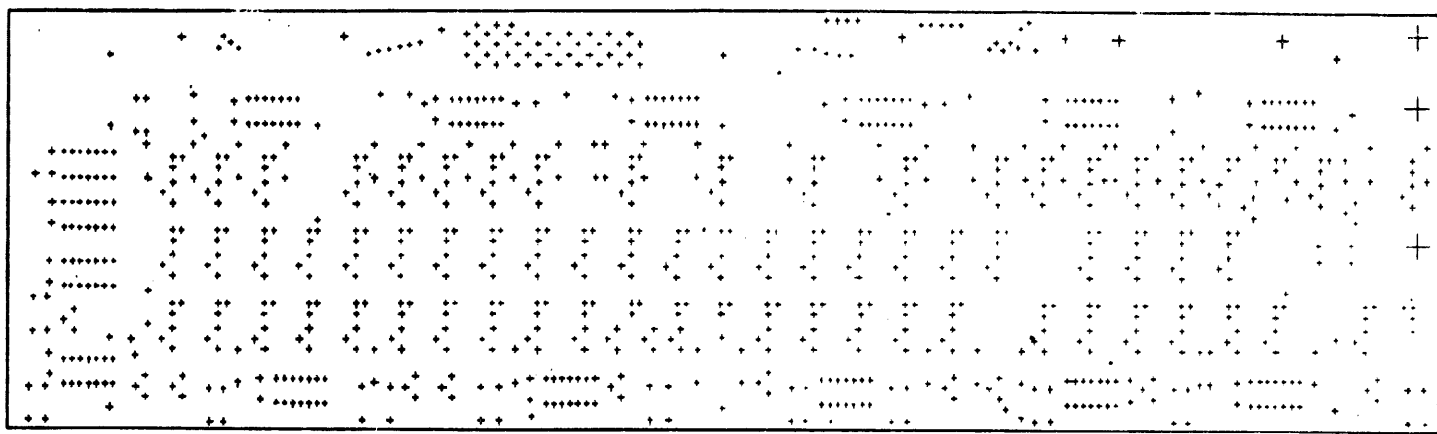
REV.	CHG	CHANGE NO.	REV.
1			A
2			A
3			A

FIRST USED ON OPTION MODEL
 PDP15-C

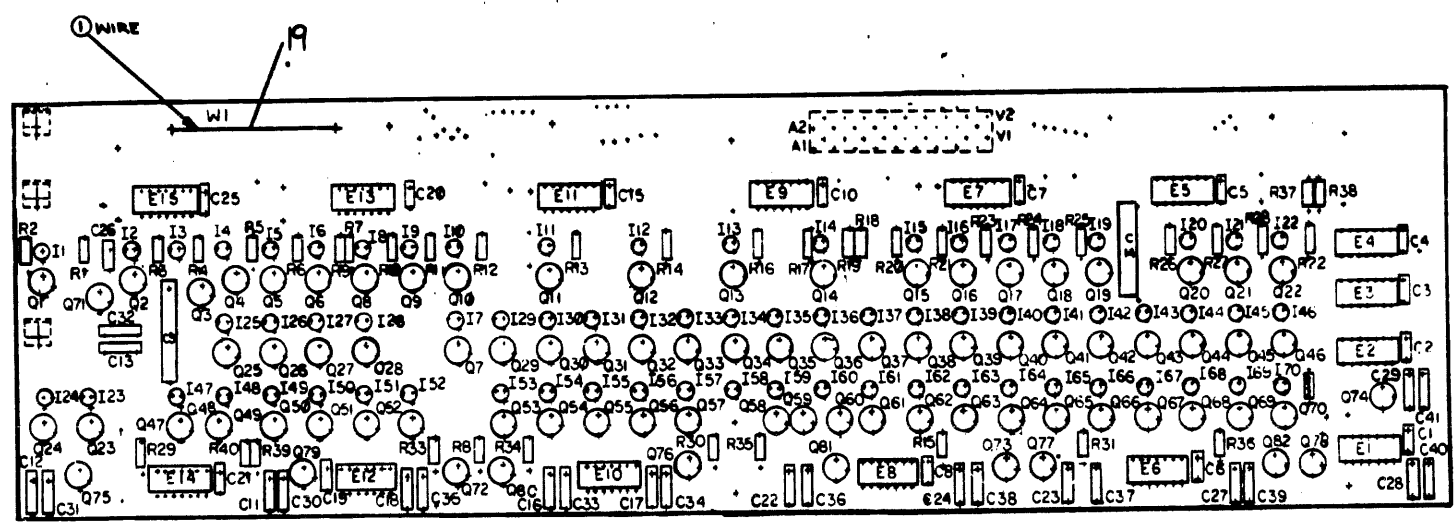
ETCH BOARD REV.		DATE 5/1/75	
DRN	DATE	TITLE	
CHG	DATE	LIGHT BOARD CONSOLE	
ENG	DATE	NEXT HIGHER ASSY	
PROJ. ENG.	DATE	B-DD-5408394-YA	
PROG.	DATE	SCALE	DIST.
SEMICONDUCTOR CONVERSION CHART		SCALE 1 OF 3	DIST.
DEC NO.	EIA NO.	DEC NO.	EIA NO.
SIZE CODE D UA		NUMBER 5408394-YA-φ	REV. B

PART NUMBER
 D UA 5408394-YA-φ
 REV. B

THIS DRAWING AND SPECIFICATIONS HEREIN ARE THE PROPERTY OF DIGITAL EQUIPMENT CORPORATION AND SHALL NOT BE REPRODUCED OR COPIED OR USED IN WHOLE OR IN PART AS THE BASIS FOR THE MANUFACTURE OR SALE OF ITEMS WITHOUT WRITTEN PERMISSION. COPYRIGHT © 1975 DIGITAL EQUIPMENT CORPORATION.



SIDE 2



SIDE 1

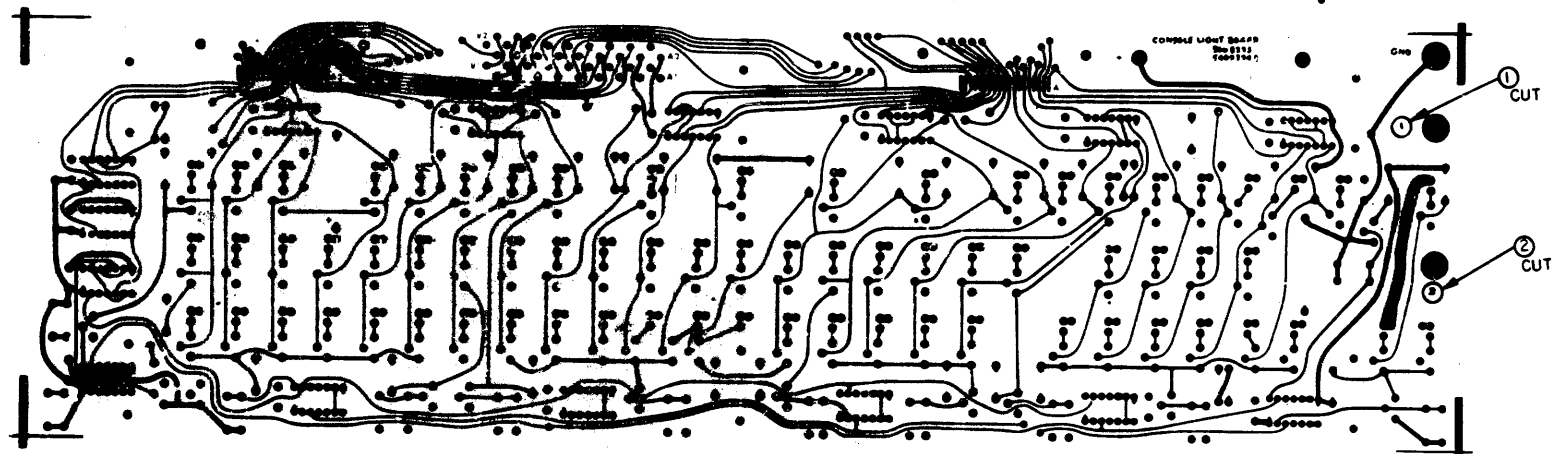
REVISIONS		
CHK	CHANGE NO	REV

TITLE	SIZE CODE	NUMBER	REV.
LIGHT BOARD CONSOLE	DJA	5408394 YA-0	B
SCALE 1/1	SHEET 2 OF 3	DIST.	

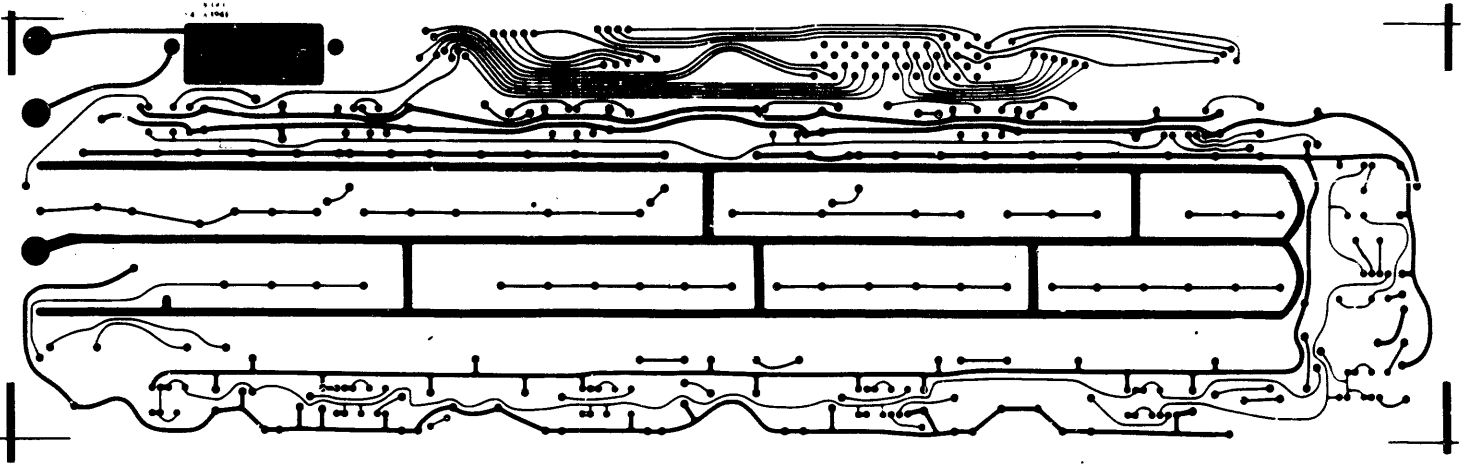
DJA 5408394 YA-0 B

THIS DRAWING AND SPECIFICATIONS HEREIN ARE THE PROPERTY OF DIGITAL EQUIPMENT CORPORATION AND SHALL NOT BE REPRODUCED OR COPIED OR USED IN WHOLE OR IN PART AS THE BASIS FOR THE MANUFACTURE OR SALE OF ITEMS WITHOUT WRITTEN PERMISSION. COPYRIGHT © DEC, DIGITAL EQUIPMENT CORPORATION

DUA 5408394 YA-0 2



SIDE 2



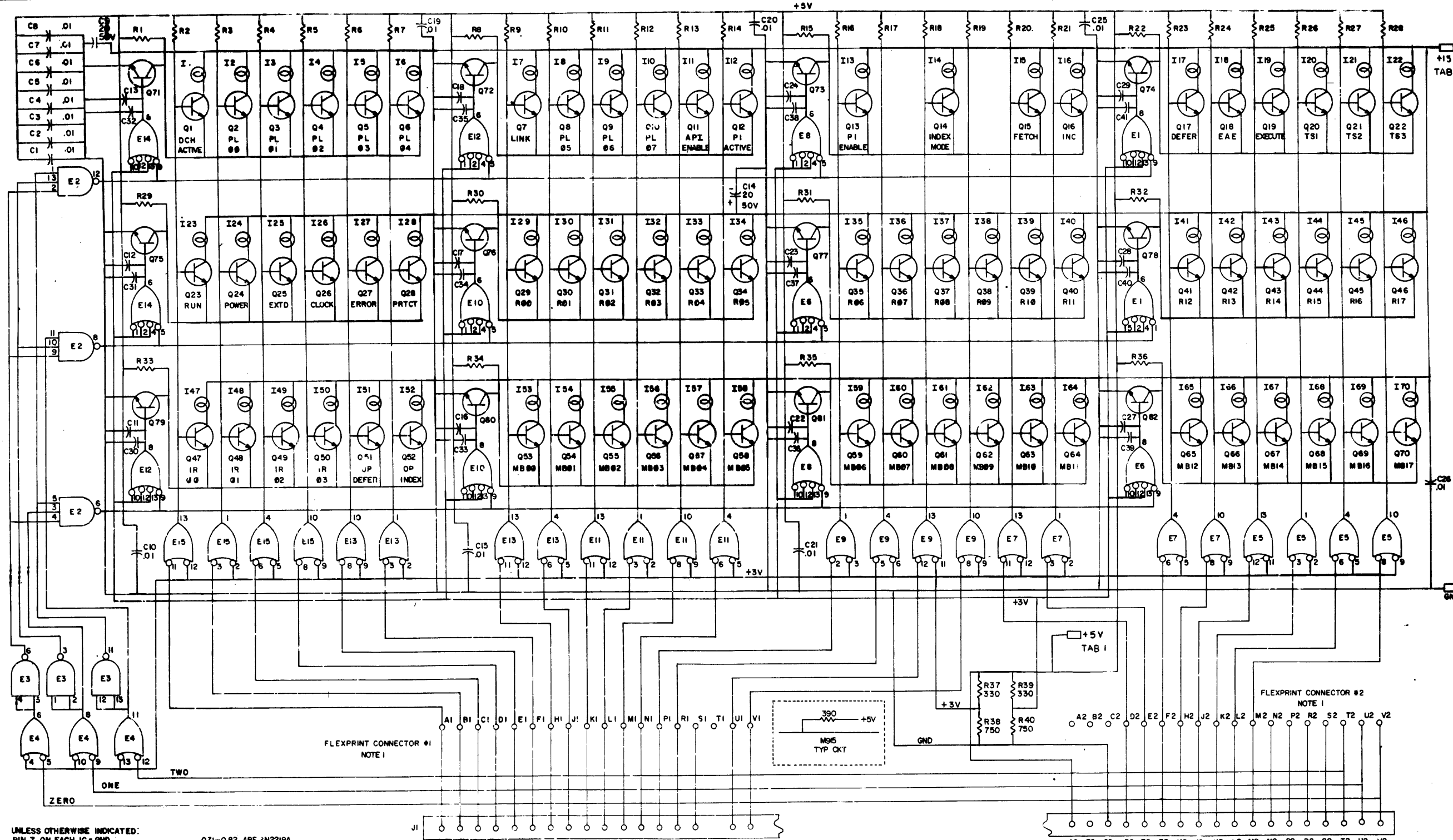
SIDE 1

REVISIONS		
CHK	CHANGE NO	REV

TITLE	SIZE CODE	NUMBER	REV.
LIGHT BOARD CONSOLE	DUA	5408394 YA-0	B
SCALE	SHEET	OF	DIST.
+	3	3	

DUA 5408394 YA0 B

THIS SCHEMATIC IS FURNISHED ONLY FOR TEST AND MAINTENANCE PURPOSES. THE CIRCUITS ARE PROPRIETARY IN NATURE AND SHOULD BE TREATED ACCORDINGLY. COPYRIGHT © 1975 BY DIGITAL EQUIPMENT CORPORATION.



UNLESS OTHERWISE INDICATED:
 PIN 7 ON EACH IC = GND
 PIN 14 ON EACH IC = +5V
 E1E6, E8, E10, E12, E14 ARE DEC7440N
 E2, E4 ARE DEC7410N
 E3, E4 ARE DEC7400N
 E5, E7, E9, E11, E13, E15 ARE DEC7401N
 CAPACITORS ARE MFD, 100V
 LIGHTS ARE #2335
 RESISTORS ARE 1K, 1/4W, 5%
 TRANSISTORS ARE DEC8531

Q71-Q82 ARE 2N2219A
 C11-C13, C16-C18, C22-C24, C27-C41 ARE .047 MFD 250V
 NOTE 1: THE OTHER END OF FLEXPRINT CABLE IS CONNECTED TO AN 19P. THIS PROVIDES A PULL UP OF 390 OHMS TO +5V FOR EACH LINE.

REVISIONS
 DATE
 BY
 CHECKED
 APPROVED

TRANSISTOR & DIODE CONVERSION CHART			
MANUFACTURER	TYPE	DEC	EIA
2N2219A	2N2219A	2N2219A	
2N2219A	2N2219A	2N2219A	
1N750	1N750	1N750	
1N4733	1N4733	1N4733	

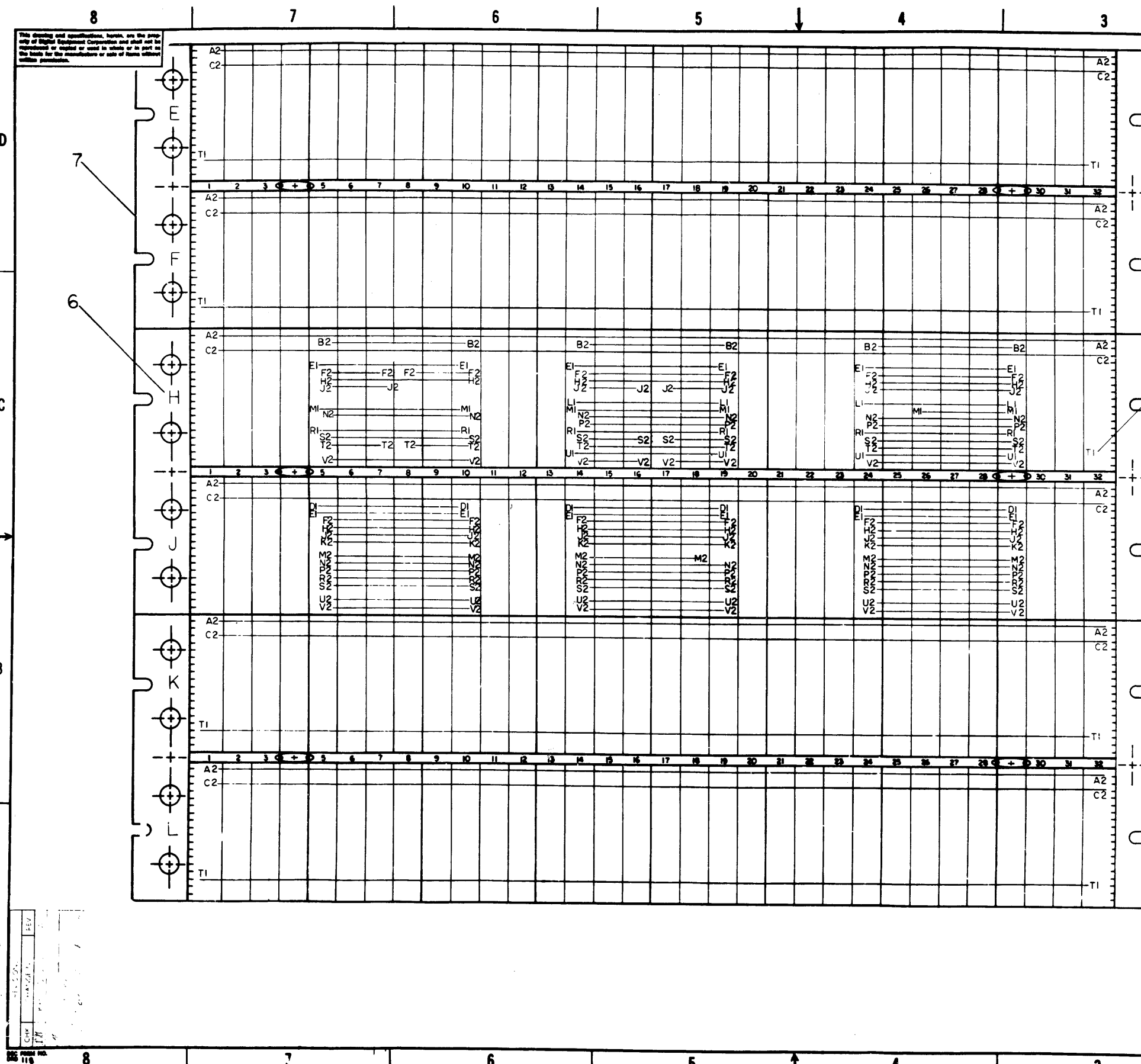
TITLE: CONSOLE INDICATOR PANEL
 5408394
 EQUIPMENT CORPORATION
 DCS 5408394-YA-0-1 C
 PRINTED CIRCUIT REV: E

D. 5408394-01 C

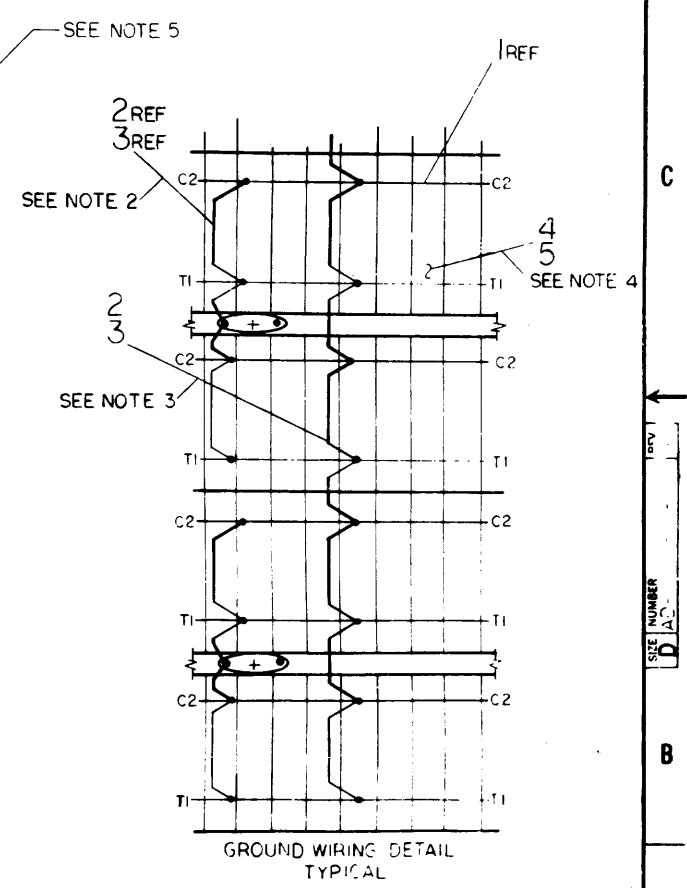
CUSTOMER PRINT SET		ELECTRICAL					CUSTOMER PRINT SET		ELECTRICAL						
	MFG. SET	FIND NO.	DRAWING NO.	REV	NO OF SHT	DESCRIPTION	OPTION NO./FILE DATE		MFG. SET	FIND NO.	DRAWING NO.	REV	NO OF SHT	DESCRIPTION	OPTION NO./FILE DATE
X			D-AD-7010815-0-0	#	2	WIRED ASSY KP15-C		X			D-BS-KP15-C-43	*	1	I BUS 18-32 SC	
X			A-PL-7010815-0-0	*	1	WIRED ASSY KP15-C (P.L.)		X			D-BS-KP15-0-44	*	1	CONSOLE CONTROL #1	
X			A-WT-7010815-0	*	1	AWT REVISION STATUS		X			D-BS-KP15-C-45	*	1	CONSOLE CONTROL #2	
X			D-BS-KP15-0-1	#	1	REG & BUS BIT 00		X			D-BS-KP15-C-46	*	1	MISC CONSOLE LOGIC	
X			D-BS-KP15-0-2	#	1	REG & BUS BIT 01		X			D-BS-KP15-C-47	*	1	MT CONTROL	
X			D-BS-KP15-C-3	#	1	REG & BUS BIT 02		X			D-BS-KP15-0-48	*	1	MISC LOGIC	
X			D-BS-KP15-0-4	#	1	REG & BUS BIT 03		X			D-BS-KP15-0-49	*	1	CP READ IN LOGIC	
X			D-BS-KP15-0-5	#	1	REG & BUS BIT 04		X			D-BS-KP15-0-50	*	1	DEVICE SELECTOR	
X			D-BS-KP15-0-6	#	1	REG & BUS BIT 05		X			D-BS-KP15-C-51	*	1	I/O CONTROL SYNC	
X			D-BS-KP15-0-7	#	1	REG & BUS BIT 06		X			D-BS-KP15-C-52	*	1	I/O BUS BITS 9-17	
X			D-BS-KP15-0-8	#	1	REG & BUS BIT 07		X			D-BS-KP15-0-53	*	1	I/O BUS BITS 0-8	
X			D-BS-KP15-0-9	#	1	REG & BUS BIT 08		X			D-BS-KP15-C-55	*	1	IOT & TIME LOGIC	
X			D-BS-KP15-0-10	#	1	REG & BUS BIT 09		X			D-BS-KP15-C-57	*	1	POWER FAIL R/T CLOCK	
X			D-BS-KP15-0-11	#	1	REG & BUS BIT 10		X			D-BS-KP15-0-58	*	1	INTERNAL IOT DECODER	
X			D-BS-KP15-C-12	#	1	REG & BUS BIT 11		X			D-BS-KP15-0-59	*	1	MDL DRIVERS	
X			D-BS-KP15-0-13	#	1	REG & BUS BIT 12		X			D-BS-KP15-0-60	*	1	I BUS 00-08	
X			D-BS-KP15-0-14	#	1	REG & BUS BIT 13		X			D-BS-KP15-0-62	*	1	I BUS 09-17	
X			D-BS-KP15-0-15	#	1	REG & BUS BIT 14		X			D-BS-KP15-C-64	*	1	TELETYPE RECEIVER	
X			D-BS-KP15-0-16	#	1	REG & BUS BIT 15		X			D-BS-KP15-0-65	*	1	TELETYPE TRANSMITTER	
X			D-BS-KP15-0-17	#	1	REG & BUS BIT 16		X			D-BS-KP15-C-66	*	1	READ IN	
X			D-BS-KP15-0-18	#	1	REG & BUS BIT 17		X			D-BS-KP15-C-68	*	1	I/O ADDRESS	
X			D-BS-KP15-C-19	#	1	MAJOR BUS CONTROL LOGIC		X			D-IC-KP15-C-69	*	1	I/O BUS CABLE	
X			D-BS-KP15-0-20	#	1	MAJOR STATE GENERATOR		X			D-FD-KP15-C-70	*	1	KP15 BLOCK DIAGRAM AND PRINT	
X			D-BS-KP15-C-21	#	1	TIME STATE GENERATOR WITH START STOP CONTROL		X			D-FD-KP15-C-71	*	1	KEY PDP15 ADDRESS, CALCULATION FLOW CHART	
X			D-BS-KP15-0-22	#	1	LINK-LINK CONTROL		X			D-FD-KP15-C-72	*	1	SIGNAL CHART IND BUS	
X			D-BS-KP15-0-23	#	1	SKIP CONTROL		X			D-FD-KP15-C-73	*	1	KEY FLOW	
X			D-BS-KP15-C-24	#	1	REGISTER STROBE		X			D-FD-KP15-C-74	*	1	INTERRUPT FLOW GRAPH	
X			D-BS-KP15-0-25	#	1	INDICATOR STROBES		X			D-FD-KP15-C-75	*	1	READ IN FLOW	
X			D-BS-KP15-0-26	#	1	MEMORY MPX		X			D-FD-KP15-C-76	*	1	INSTRUCTION FLOW CHART	
X			D-BS-KP15-C-27	#	1	C/P MEMORY INTERFACE CABLE		X			D-TD-KP15-C-77	*	1	API/PI TIMING DIAGRAM BUS SIGNALS	
X			D-BS-KP15-0-28	#	1	OPR DECODING		X			D-TD-KP15-C-78	*	1	CP MEMORY TIMING	
X			D-BS-KP15-0-29	#	1	INDEX INSTRUCTION BUS CONTROL		X			D-TD-KP15-C-79	*	1	CP-TIMING-COMMON EVENTS	
X			D-BS-KP15-0-30	#	1	MAJOR INST DECODING		X			D-TD-KP15-C-80	*	1	IOT INSTRUCTION TIMING DIAGRAM	
X			D-BS-KP15-C-31	#	1	INSTR REGISTER		X			K-WL-KP15-C-101	*	1	WIRE LIST	
X			D-BS-KP15-C-32	#	1	MEMORY INTERFACE CONTROL		X			D-MU-KP15-C-102	*	4	MODULE UTILIZATION	
X			D-BS-KP15-0-33	#	1	DETECT X MODE & CBUS		X			A-PL-KP15-C-102	*	3	MODULE UTILIZATION (P.L.)	
X			D-BS-KP15-0-34	#	1	CONSOLE INTERFACE		X			D-BS-KP15-C-59	#	1	XUM MDL DRIVERS	
X			D-BS-KP15-0-35	#	1	INTERRUPT CONTROL LOGIC									
X			D-BS-KP15-0-38	#	1	I BUS 00-08									
X			D-BS-KP15-0-39	#	1	I BUS 00-08									
X			D-BS-KP15-0-40	#	1	I BUS 09-17 M0, M1, M2									
X			D-BS-KP15-0-41	#	1	I BUS 09-17									
X			D-BS-KP15-0-42	#	1	I BUS 08-10-17 SC									

CUSTOMER PRINT SET CODES
X = PRINT OF DOCUMENT INCLUDED IN PRINT SET
C = INCLUDES ALL PRINTS INDICATED ON DOCUMENT
S = CONFIDENTIAL AUTHORIZED SIGNATURE REQUIRED

TITLE
KP15-C I/O & CP
SIZE CODE NUMBER REV
SHEET 2 OF 2 B DD KP15-C A



- NOTES:**
- 1 CONNECTIONS ON ITEM NUMBER 1 & 2 TO BE LOCATED AND SOLDERED AT MINIMUM PRACTICAL HEIGHT ABOVE BLOCKS.
 - 2 ALL CONNECTOR BLOCKS TO BE GROUNDED TO GROUND LUGS AS SHOWN, 6 PLACES.
 - 3 JUMPER GROUND BUSSING AS SHOWN, 8 PLACES.
 - 4 USE YELLOW WIRE (ITEM #4) FOR MACHINE WRAPPED AND BLUE WIRE (ITEM #5) FOR HAND WRAPPED WIRING.
 - 5 T1 GROUND BUSSING NOT USED ON LOGIC RACKS H & J.
 - 6 THE ATTACHING BARS ARE HELD TO SIDE OF PANEL BY WASHERS (ITEM #14) AND SCREWS (ITEM #15).



REV	DATE	BY
1		
2		
3		
4		
5		
6		
7		
8		

PART USED ON OPTION/MODEL		QTY.	DESCRIPTION	PART NO.	ITEM NO.
PDP15-C					
DO NOT SCALE DRAWING					
UNLESS OTHERWISE SPECIFIED		DRN	DATE	PARTS LIST	
DIMENSIONS IN INCHES		CHKD	DATE	DIGITAL EQUIPMENT CORPORATION	
TOLERANCES		APP	DATE	TITLE	
HOLE POSITIONING ± .010		PROL	DATE	WIRED ASS'Y	
HOLE DIA ± .005		APP	DATE	KPI5-C	
FINAL SURFACE QUALITY		APP	DATE	SCALE	
REMOVE BURRS AND BREAK SHARP EDGES		APP	DATE	DIA D 7410-15-C-0	
MATERIAL		EQUIPMENT ASSY			
E-UA-PDP15-C-0		REV			
SCALE		DIA D 7410-15-C-0			
SHEET 1 OF 2		REV A			

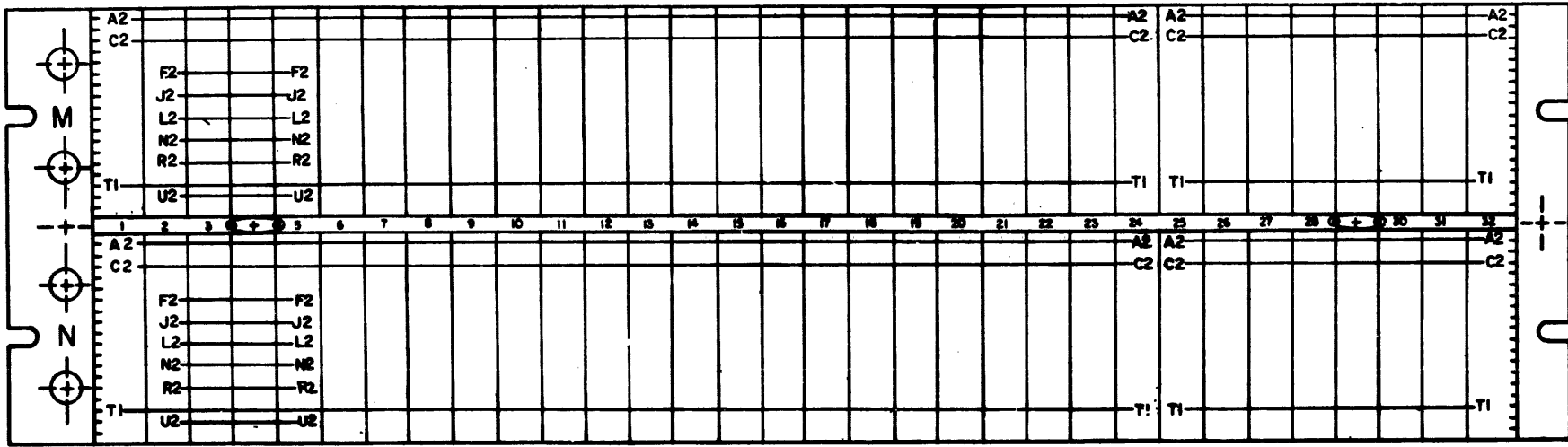
This drawing and specifications, herein, are the property of Digital Equipment Corporation and shall not be used for the repair or maintenance of any equipment without the written permission of Digital Equipment Corporation. COPYRIGHT © 1974 DIGITAL EQUIPMENT CORP

WIRE TABLE

SIGNAL NAME	ITEM NO	DESCRIPTION	CONNECTIONS		REMARKS
			FROM	TO	
NEXM L	30	YEL	M01K2	H03M1	RUN DIAGONALLY
API CAL H			H03F1	K22C1	
API E L			H03S1	L19H1	
CPACTH			L19V2	H03D2	
PI SYNC H			H03H2	M31F2	
INT-API ST H			M01M1	H03K2	
RESTORE UML			H03M2	L1752	
RESTORE UML			L1752	N11N2	
TIME 3H			H03S2	K21K2	
TIME 3H			K21K2	N13K1	
FWR FAIL H			H03T2	M31S1	
RTC FLAG H			H03V2	M31R2	
CPAPI RQ L			H03B1	L17K2	
CPAPI RQ L			K25U2	K31P1	
CPAPI RQ L	30	YEL	K25U2	L17K2	RUN DIAGONALLY

WIRE TABLE

SIGNAL NAME	ITEM NO	DESCRIPTION	CONNECTIONS		REMARKS	
			FROM	TO		
+5V	8	24	RED	K25A2	M25A2	
				K32A2	M32A2	
				L25A2	N25A2	
+5V	8		RED	L32A2	N32A2	
GND	9		BLK	K25C2	M25C2	
				K25T1	M25T1	
				K32C2	M32C2	
				K32T1	M32T1	
				L25C2	N25C2	
				L25T1	N25T1	
				L32C2	N32C2	
GND	9	24	BLK	L32T1	N32T1	
ADDR ENAB	4	30	YEL	M01E1	H32M2	RUN DIAGONALLY
P SET				H03E2	E18S1	
FETCH H	4			N09V2	E32H1	
N09V2	4					
TTKPD INH				K02E2	N30M2	
DBK H				H03D1	N14R2	
DBR H				H03E1	M15T2	
DBR H				N14E2	M15T2	
API RQ L				H03J1	L17R2	
API RQ L				L17R2	J32R2	RUN DIAGONALLY



FIRST USED ON OPTION/MODEL
FDP15-C

ALL DIMENSIONS UNLESS SPECIFIED OTHERWISE TO CENTER UNLESS OTHERWISE SPECIFIED
TOLERANCES
DIMENSIONS ARE TO CENTER UNLESS OTHERWISE SPECIFIED
HOLE DIMENSIONS ARE TO CENTER UNLESS OTHERWISE SPECIFIED
HOLE DIMENSIONS ARE TO CENTER UNLESS OTHERWISE SPECIFIED

QTY.	DESCRIPTION	PART NO.	ITEM NO.
	PARTS LIST		
	EQUIPMENT CORPORATION MAYFIELD, MASSACHUSETTS		
	TITLE WIRED ASS'Y (KPI50)		
	E-LA-PCP15-C-0		
	SCALE		
	SHEET 2 OF 2		
	DAD 7010815-00		

7010815-00-A

DIGITAL EQUIPMENT CORPORATION
MAYNARD, MASSACHUSETTS
PARTS LIST

MADE BY <i>R. W. Counter</i>	CHECKED <i>B. Reed</i>	SECTION
DATE <i>3/6/75</i>	DATE <i>3/6/75</i>	
ENG <i>Fred Holt</i>	PROD <i>Pete Davis</i>	ISSUED SECT.
DATE <i>2-17-75</i>	DATE <i>2-17-75</i>	

QUANTITY / VARIATION

ITEM NO.	DWG NO. / PART NO.	DESCRIPTION																	
1	9008428	BUS STRIP	A/R																
2	9107560-1	#22 AWG BUS WIRE	A/R																
3	9107256-09	#22 TUBING, TEFLON, WHITE	A/R																
4	9105740-44	#30 AWG SOLID KYNAR INS. WIRE, YELLOW	A/R																
5	9105740-66	#30 AWG SOLID KYNAR INS. WIRE, BLUE	A/R																
6	A-DC-7406371-0-0	LOGIC FRAME DECALS	A/R																
7	D-AD-5404491-0-0	H911 MTG PANEL	4																
8	9107688-22	#24 AWG SOLID KYNAR, RED	A/R																
9	9107689-00	#24 AWG SOLID KYNAR, BLK	A/R																
10	A-WT-7010815-0	KP15-C AWT REVISION STATUS	REF																
11	5508153-05	BAR, ATTACHING	1																
12	5508153-06	BAR, ATTACHING	1																
13	9006073-01	SCR, PHL HD 10/32 x 1/2	8																
14	9006669	WASHER, FLAT	8																
15	A-DC-7411881-01	DECAL	1																
REF	K-WL-KP15-C-101	WIRE LIST																	

TITLE	ASSY NO.	SIZE	CODE	NUMBER	REV.	ECO NO.
WIRED ASSY (KP15-C)	D-AD-7010815-0-0	A	PL	7010815-0-0	A	KP15-C 00001
	SHEET 1 OF 1	DIST.				

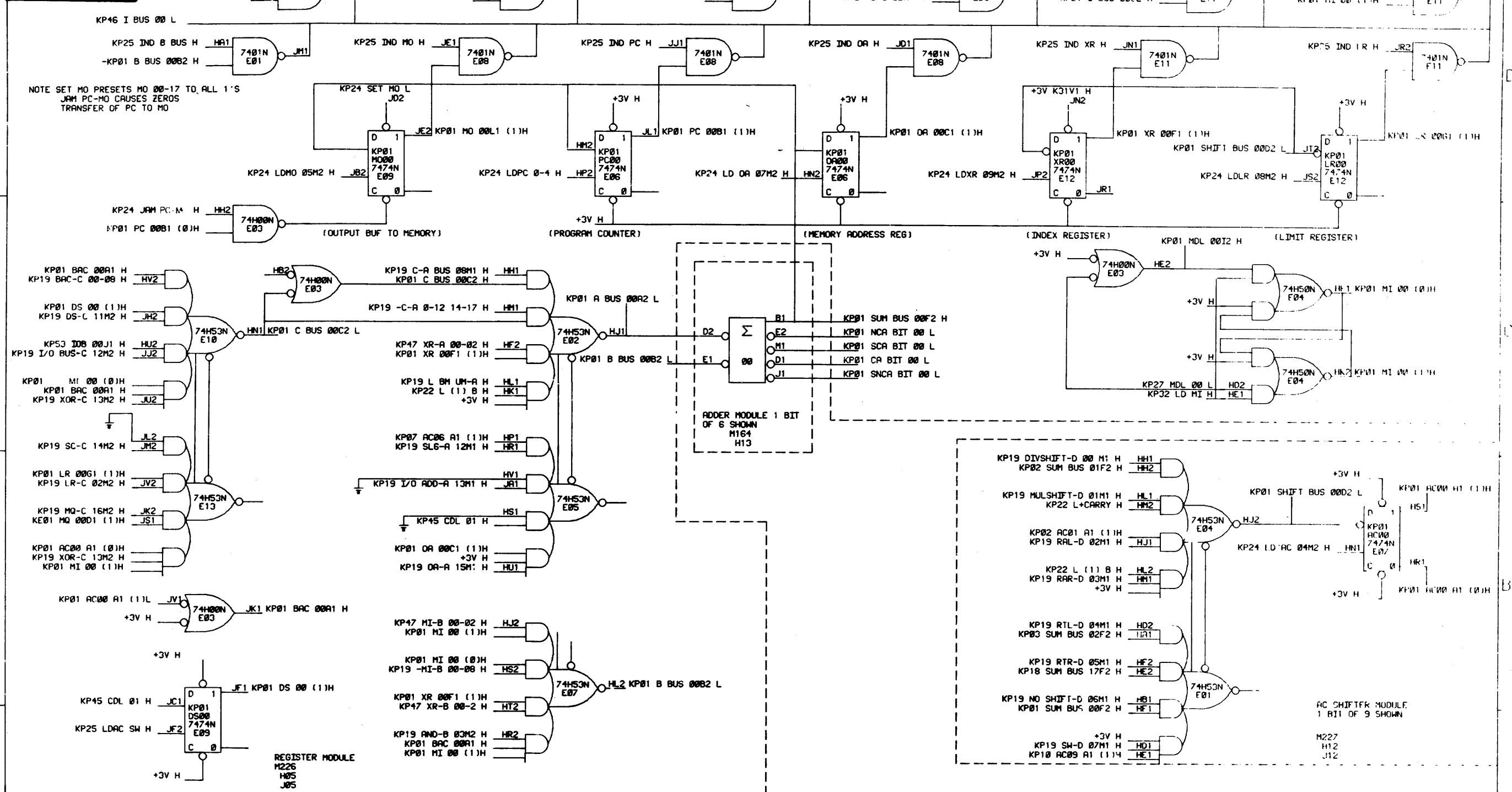
This drawing and specifications, herein, are the property of Digital Equipment Corporation and shall not be reproduced or copied or used in whole or in part as the basis for the manufacture or sale of items without written permission.

DRAWING NUMBER	INIT REL	AUTOMATIC WIRE TESTER (AWT) REVISION STATUS																REV.	
	TØ	A																	A
K-WL-KP15-C-101	*	A																	
D-AD-7010815-0-0	*	A																	
A-PL-7010815-0-0	*	A																	

REVISIONS	CHANGE NO.	REV.
	ORIGINATED	
CHK	2-76	A
	KP15-C-00001	

DRN. R. W. Caunter	DATE 3/6/75	digital EQUIPMENT CORPORATION MAYNARD, MASSACHUSETTS
CHK'D B. Reed	DATE 3/6/75	
ENG. F. Loh	DATE 2/13/75	TITLE
PROJ. ENG. F. Loh	DATE 2/13/75	KP15-C AWT REVISION STATUS
PROD. M. J. ...	DATE 2/13/75	
FIRST USED ON KP15-C	SCALE ++	SIZE CODE A WT
SHEET 1 OF 1	DIST.	NUMBER 7010815-0
		REV. A

See drawing and specifications, limits, and the copy of this drawing designation and shall not be used for any other purpose without the approval of the originator.



REVISIONS		REVISIONS	
CHK	CHANGE NO.	CHK	CHANGE NO.
LH	KP15-00030	D	KP15 00082
S	GOLDSBY 7-14-70		2-22-79
F	RUMANN 7-22-70		F. DOLL
GH	KP15-00046		F. DOLL 3-4-74
K	WASH 12/11/70		
F	RUMANN 12/11/70		
BN	KP15-00052		
S	GOLDSBY 3/1/71		
F	RUMANN 3/2/71		
W	KP15-00056		
W	W. G. 6/22/72		
J	W. G. 6/24/71		

EQUIPMENT CORPORATION		EQUIPMENT CORPORATION	
NAME	DATE	NAME	DATE
N. SCHURMAN	11-7-6	N. SCHURMAN	11-7-6
N. REHULT	11-7-6	N. REHULT	11-7-6
F. RUMANN	11-7-6	F. RUMANN	11-7-6
G. BUTLER	11-7-6	G. BUTLER	11-7-6
F. LASKEY	11-7-6	F. LASKEY	11-7-6

TITLE: REG & BUS BIT 00

PART USED ON: KP15

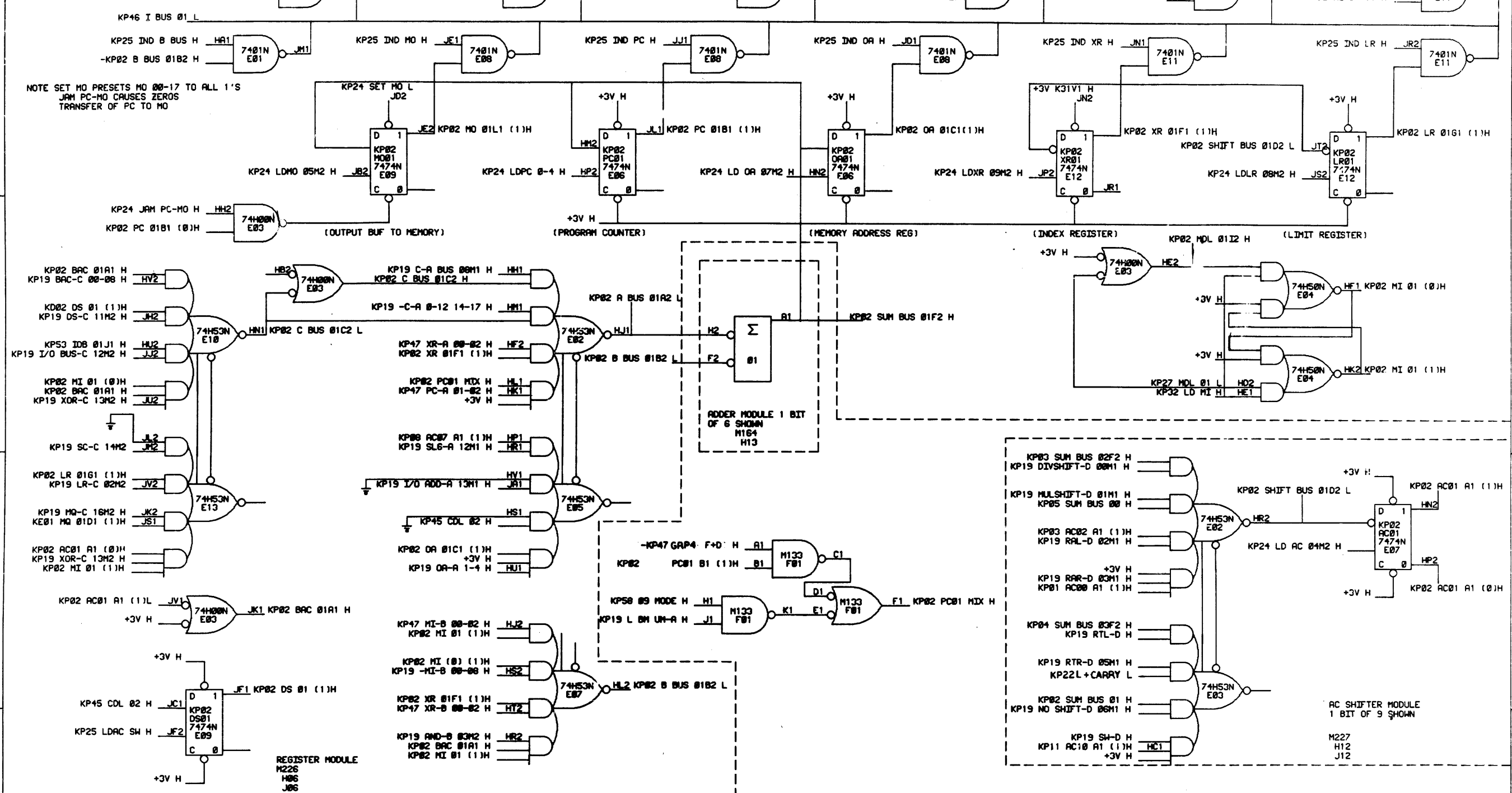
REV. CODE: D BS

NUMBER: KP15-0-01

REV.: J

SHEET 1 OF 1

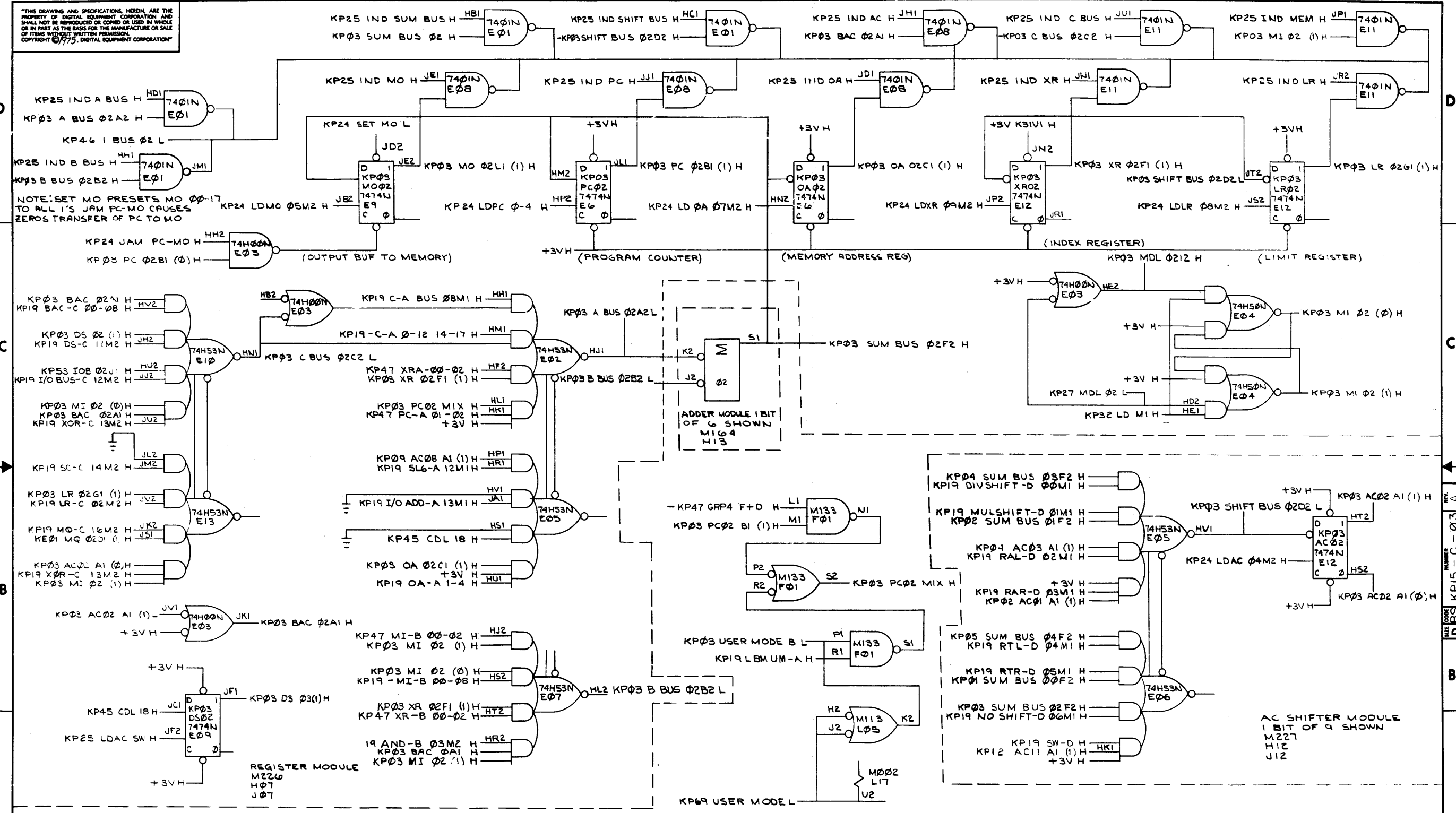
This drawing and specifications, herein, are the property of Equipment Corporation and shall not be reproduced or used in whole or in part without the written permission of the manufacturer of any of these various items herein.



REVISIONS			
CHK	CHANGE NO.	REV.	DATE
LH	1	D	7/15/70
S	2	F	7/22/70
F	3	F	7/22/70
GH	4	E	3-4-74
S	5	F	3/1/71
F	6	F	3/2/71
W	7	F	12-14-76
H	8	F	1-22-76

EQUIPMENT CORPORATION	
MILWAUKEE, WISCONSIN 53212	
H. SCHURMAN	11-7-6
T. REAULT	11-7-6
F. RUMANN	11-7-6
B. BUTLER	11-7-6
F. LASKEY	11-7-6

TITLE	REG & BUS BIT 01
FORM USED ON	CP15
SCALE	D BS
SHEET	1 OF 1
REV.	J

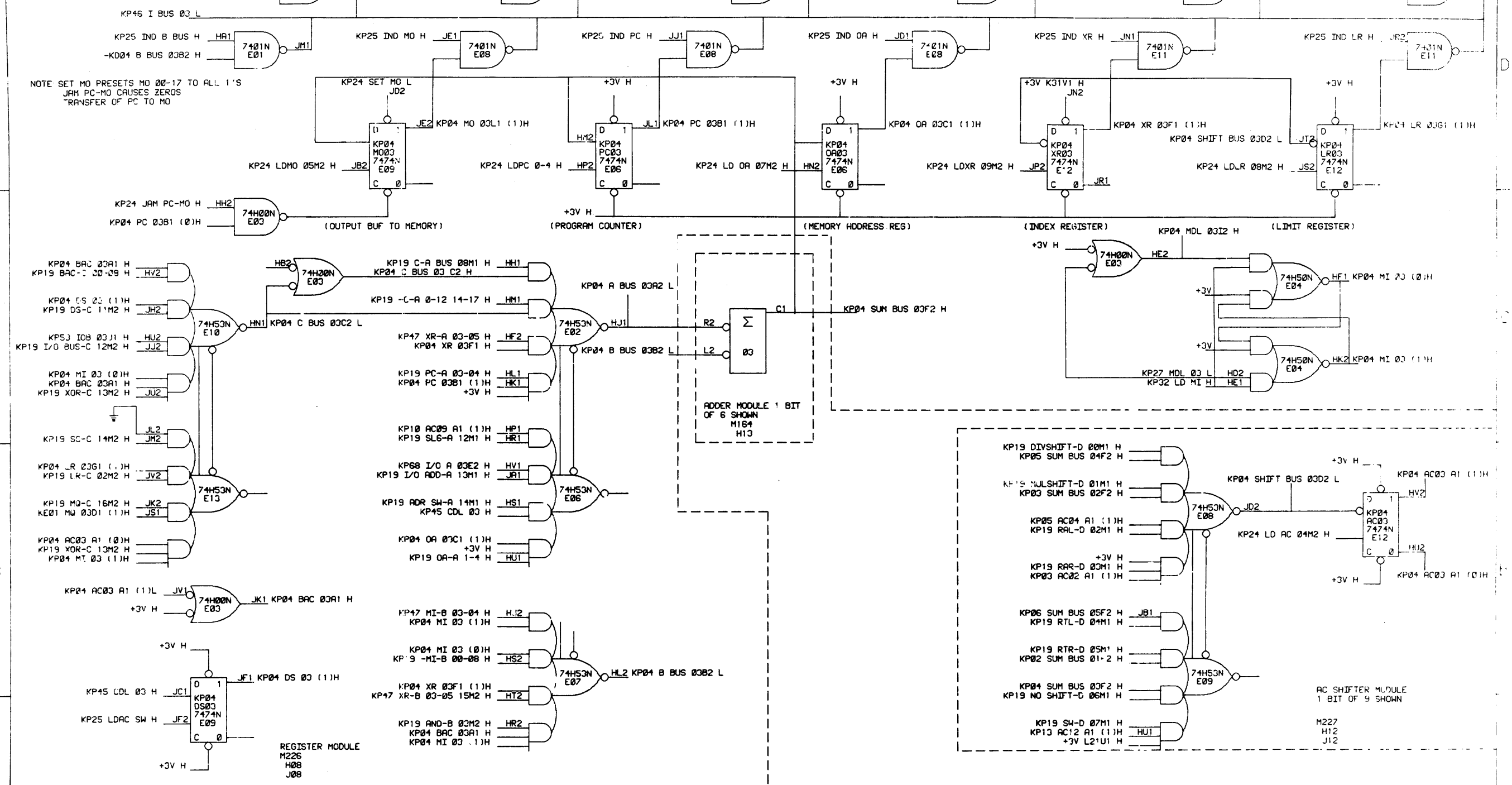


NOTE: SET MO PRESETS MO 00-17 TO ALL 1'S JAM PC-MO CAUSES ZEROS TRANSFER OF PC TO MO

REV.	NO.	DATE	BY
A	1	4-9-75	F. D. ...

DRN	B. Mabelo	4-3-75	FIRST USED ON	KP15-C
CHK'D	R. W. ...	4-9-75	TITLE	REG & BUS BIT 02
ENG.	F. D. ...	4-9-75	PROJECT	B-DD-KP15-C
PROJ. ENG.	F. D. ...	4-9-75	SCALE	+
PROD.	SHEET	1 OF 1

This drawing and specifications, herein, are the property of Digital Equipment Corporation and shall not be reproduced or copied or used in whole or in part without the written consent of Digital Equipment Corporation.

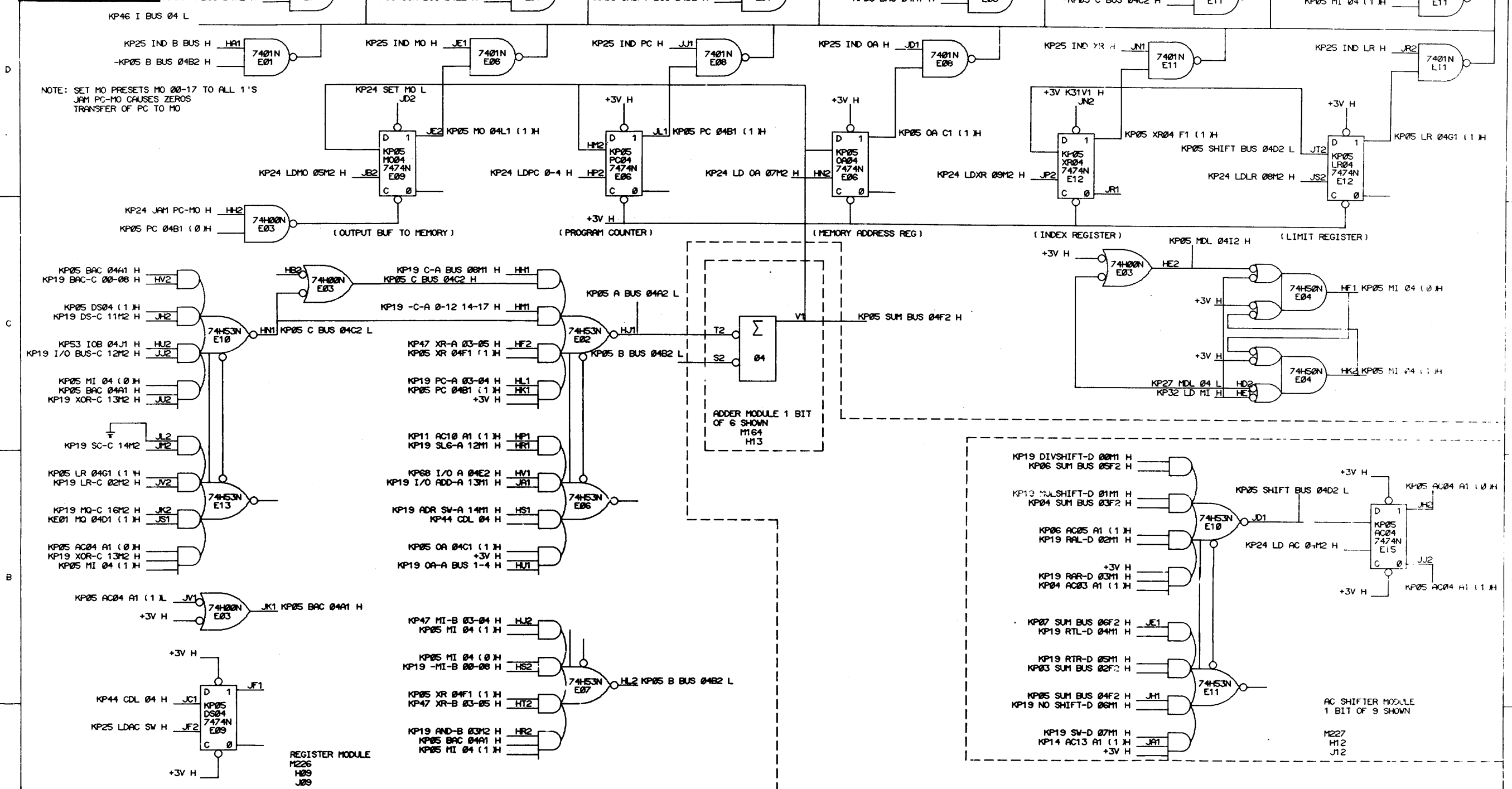


NOTE SET MO PRESETS MO 00-17 TO ALL 1'S
JAM PC-MO CAUSES ZEROS
TRANSFER OF PC TO MO

REVISIONS		
CHK	CHANGE NO.	REV.
LH	KP15-00038	C
S	GOLDSBY 7/17/70	
F	AUMANN 7/22/70	
GH	KP15-00052	D
S	GOLDSBY 3/1/71	
F	AUMANN 3/2/71	
	KP15-00056	E
	N. Cole 6/22/71	
	J. A. ... 6/24/71	

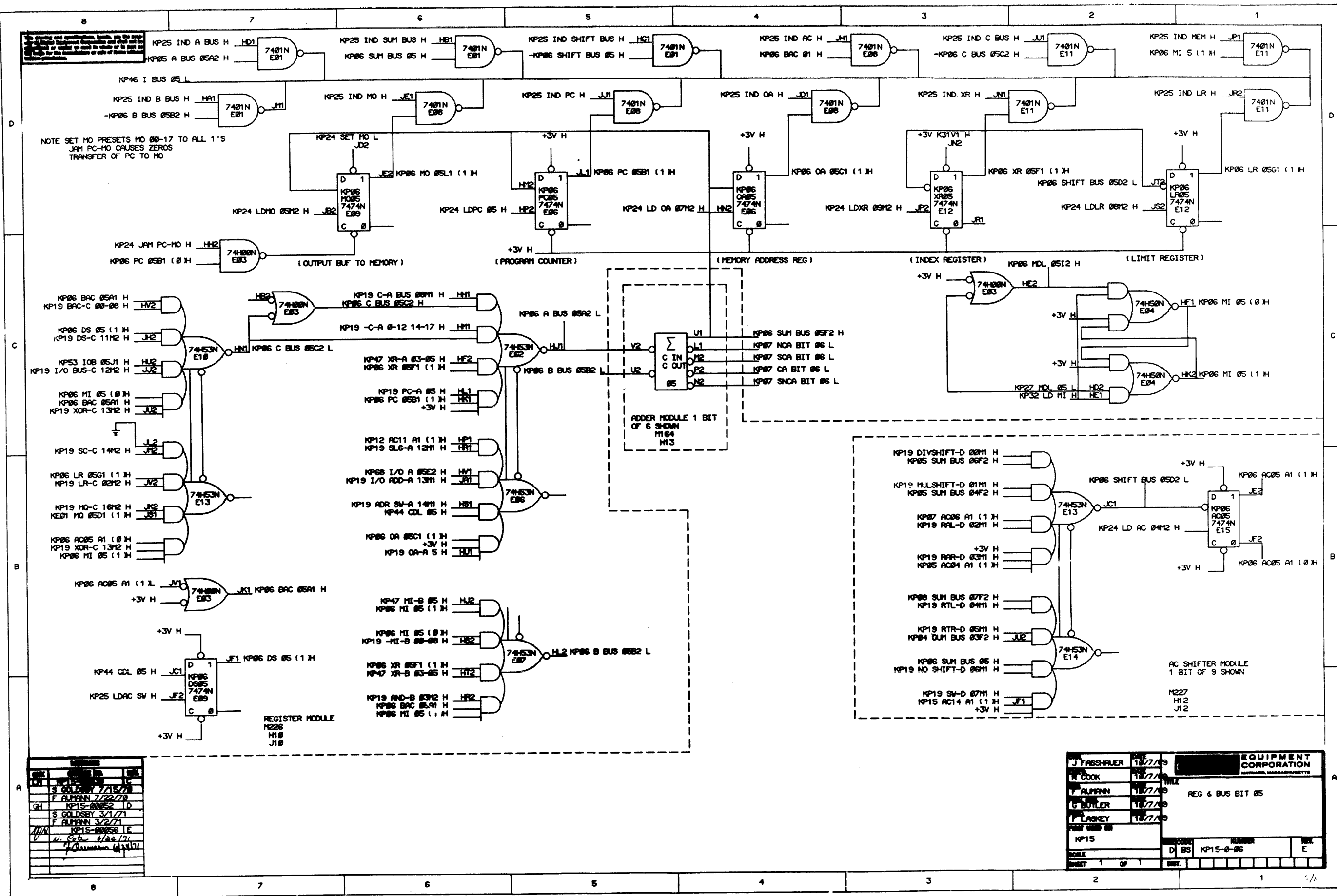
ORL J FASSHAUER	DATE 10/7/69	digital EQUIPMENT CORPORATION MAYNARD, MASSACHUSETTS
CHKD R COOK	DATE 10/7/69	
DESIGNED BY F AUMANN	DATE 10/7/69	TITLE
APPROVED BY G BUTLER	DATE 10/7/69	REG & BUS BIT 03
PROD. BY P LASKEY	DATE 10/7/69	
FIRST USED ON		
KP15	SIZE CODE	NUMBER
SCALE	D BS	KP15-0-04
SHEET 1 OF 1	DIST.	REV. E

This drawing and specifications, herein, are the property of Digital Equipment Corporation and shall not be reproduced or copied or used in whole or in part in any form for the manufacture or sale of items without written permission.



CHK	REVISION	DATE	BY
LH	KP15-00039	C	
S	GOLDSBY 7/15/70		
F	ALMANN 7/22/70		
GH	KP15-00052	D	
S	GOLDSBY 3/1/71		
F	ALMANN 3/2/71		
D/N	KP15-00056	E	
N. B.G.	6/20/71		
	9/20/71		

J. FASSHAUER	DATE	12/7/69	EQUIPMENT CORPORATION MAYNARD, MASSACHUSETTS
R. COOK	DATE	11/7/69	
F. ALMANN	DATE	11/7/69	
G. BUTLER	DATE	11/7/69	
F. CASKEY	DATE	11/7/69	
TITLE			
REG & BUS BIT 04			
PART USED ON			
KP15	SCALE	D BS	NUMBER
			KP15-0-05
			REV.
			E



REV	DATE	BY	CHK
1	7/15/70	S GOLDEN	IC
2	7/22/70	F ALMANN	D
3	3/1/71	S GOLDSBY	IC
4	3/2/71	F ALMANN	D
5	6/22/71	U. S. B.	IC
6			

NAME	DATE	TITLE
J FASSHAUER	10/7/69	
N COOK	10/7/69	
F ALMANN	11/7/69	
G BUTLER	11/7/69	
T LASKY	11/7/69	

REG & BUS BIT 05

SCALE	D BS	NUMBER	REV
		KP15-0-06	E

SHEET 1 OF 1

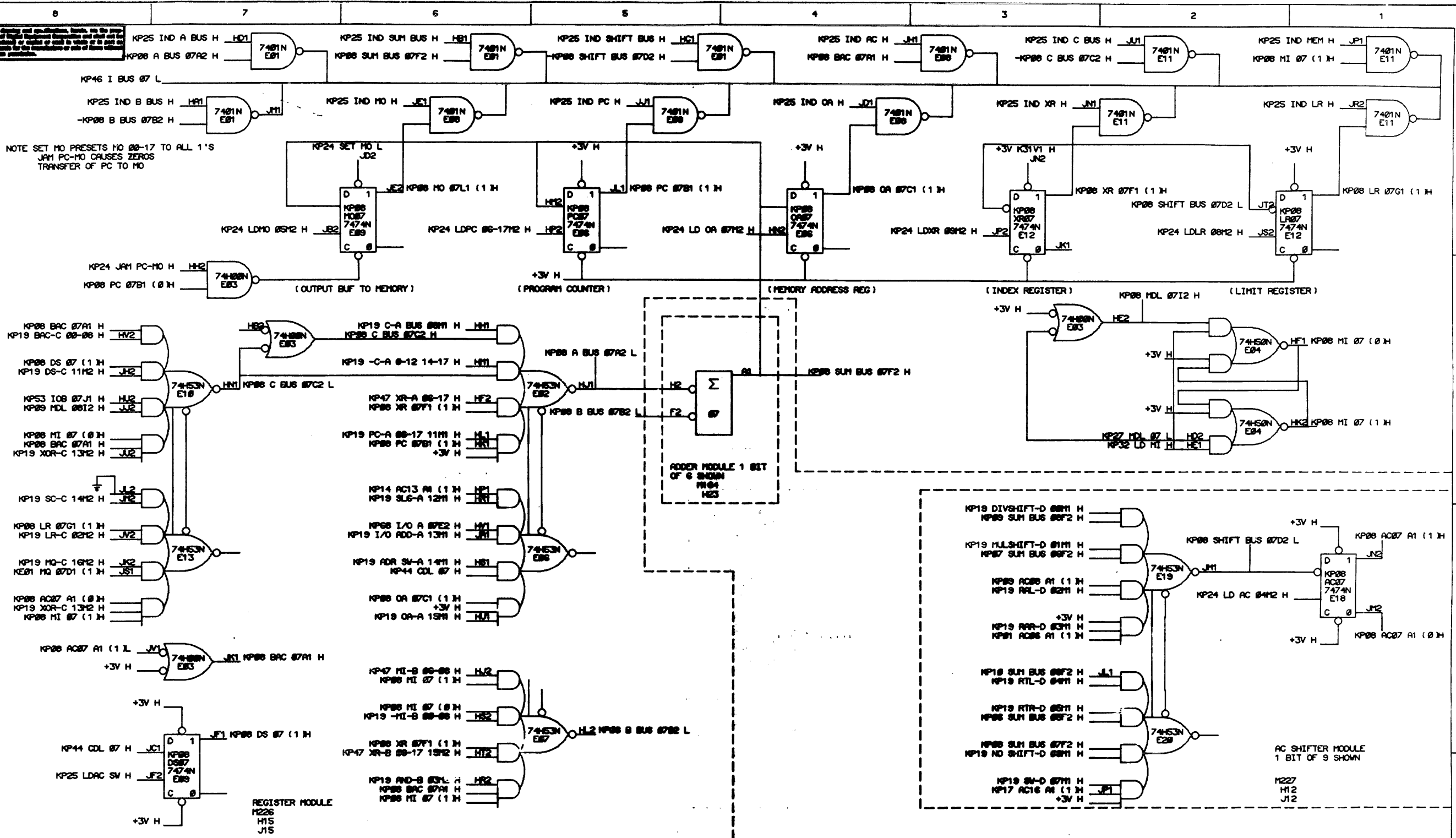
This drawing and specifications, taken as the primary source of information, shall be the basis for the construction of the equipment and shall not be subject to change without the approval of the design engineer.

D

C

B

A



REV	DATE	BY	CHKD
1	7/15/70	S. GOLDSBY	
2	7/22/70	F. ALPHEAN	
3	8/15/70	J. C.	
4	3/1/71	S. GOLDSBY	
5	3/2/71	F. ALPHEAN	
6	7/6/71	N. S. S.	

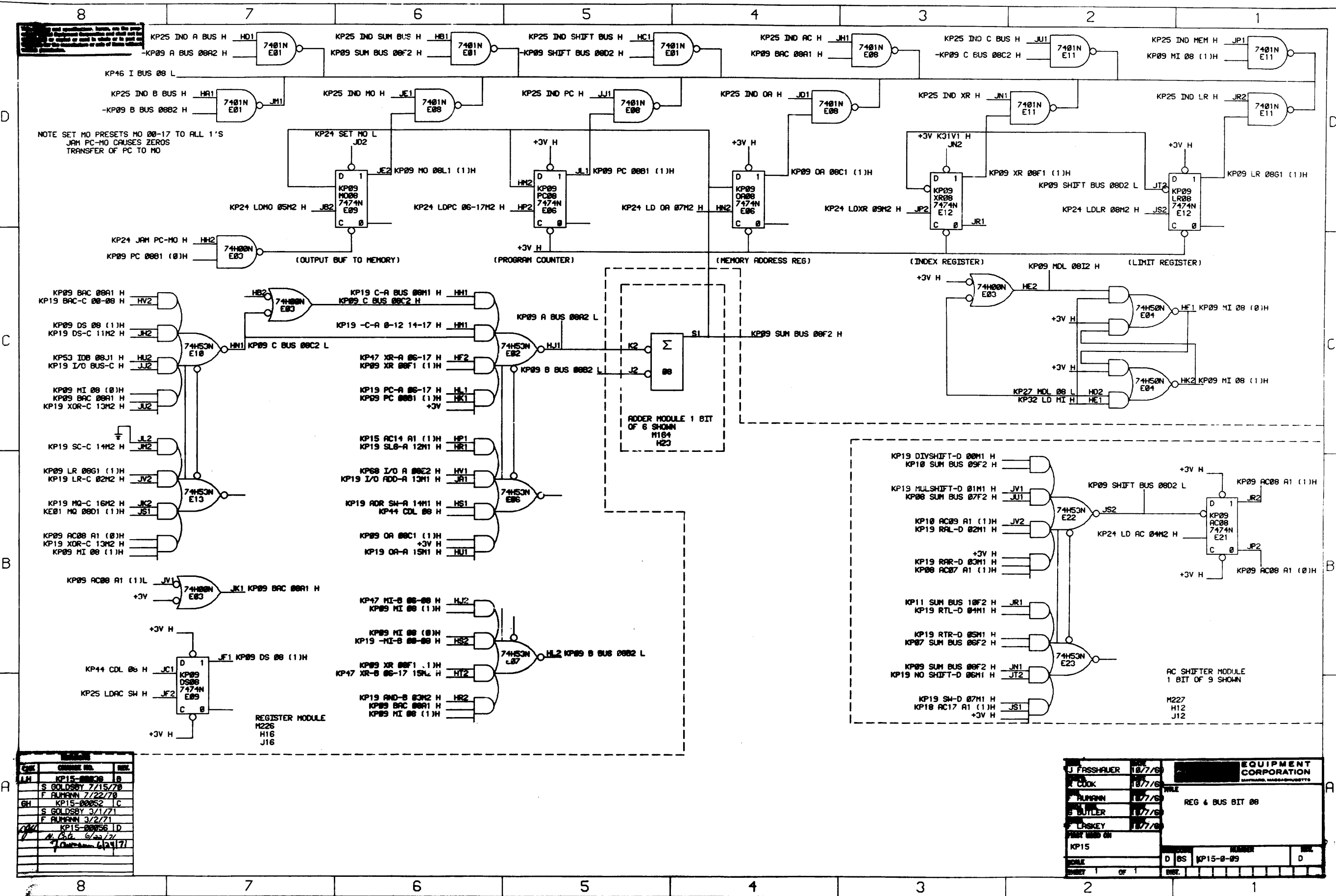
REV	DATE	BY	CHKD
1	7/15/70	J. FASHNER	
2	7/15/70	A. COOK	
3	7/15/70	F. ALPHEAN	
4	7/15/70	G. BUTLER	
5	7/15/70	F. LANEY	
6	7/15/70	N. S. S.	

EQUIPMENT CORPORATION
REG BUS BIT 07

REV	DATE	BY	CHKD
1	7/15/70	D. B.	NP15-0-00
2			
3			
4			
5			
6			

WARNING: This and specifications herein are the property of the manufacturer and should not be reproduced or used in whole or in part without the written permission of the manufacturer.

NOTE SET MO PRESETS MO 00-17 TO ALL 1'S
JAM PC-MO CAUSES ZEROS
TRANSFER OF PC TO MO



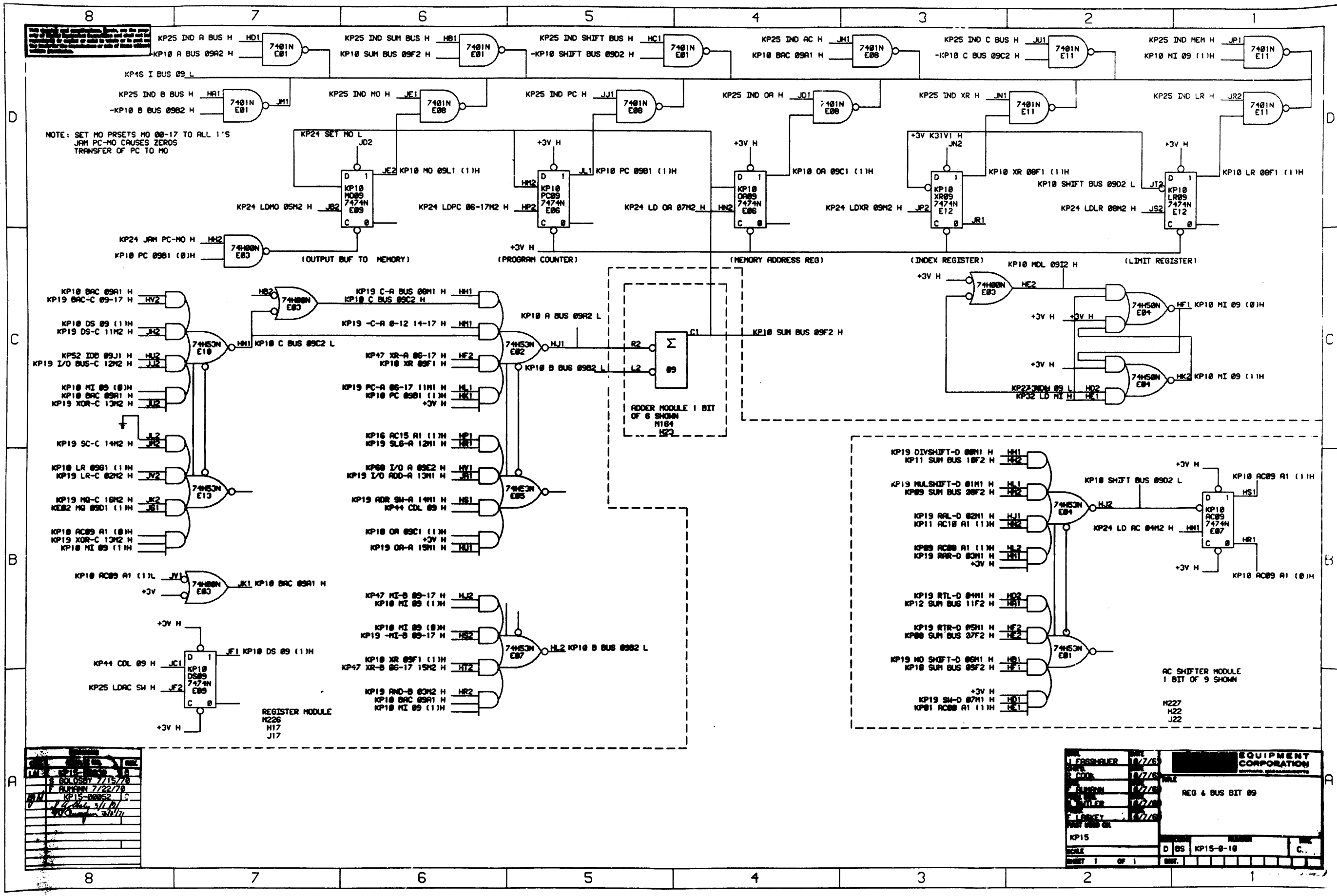
REV.	CHANGE NO.	REV.
1	1	1
2	1	1
3	1	1
4	1	1
5	1	1
6	1	1
7	1	1
8	1	1

REV.	CHANGE NO.	REV.
1	1	1
2	1	1
3	1	1
4	1	1
5	1	1
6	1	1
7	1	1
8	1	1

EQUIPMENT CORPORATION
REG & BUS BIT 08

DATE: 10/7/68
BY: J. FRASSHAUER
CHECKED BY: COOK
DESIGNED BY: RUMANN
DRAWN BY: BUTLER
APPROVED BY: LASKY

1 OF 1



NOTE: SET MO PRSETS MO 00-17 TO ALL 1'S
JAM PC-MO CAUSES ZEROS
TRANSFER OF PC TO MO

REVISION HISTORY

REV	DESCRIPTION	DATE
1	INITIAL DESIGN	7/15/70
2	REVISED FOR ALUMINUM	7/22/70
3	REVISED FOR PCB	7/27/70
4	REVISED FOR MANUFACTURE	8/1/70

EQUIPMENT CORPORATION

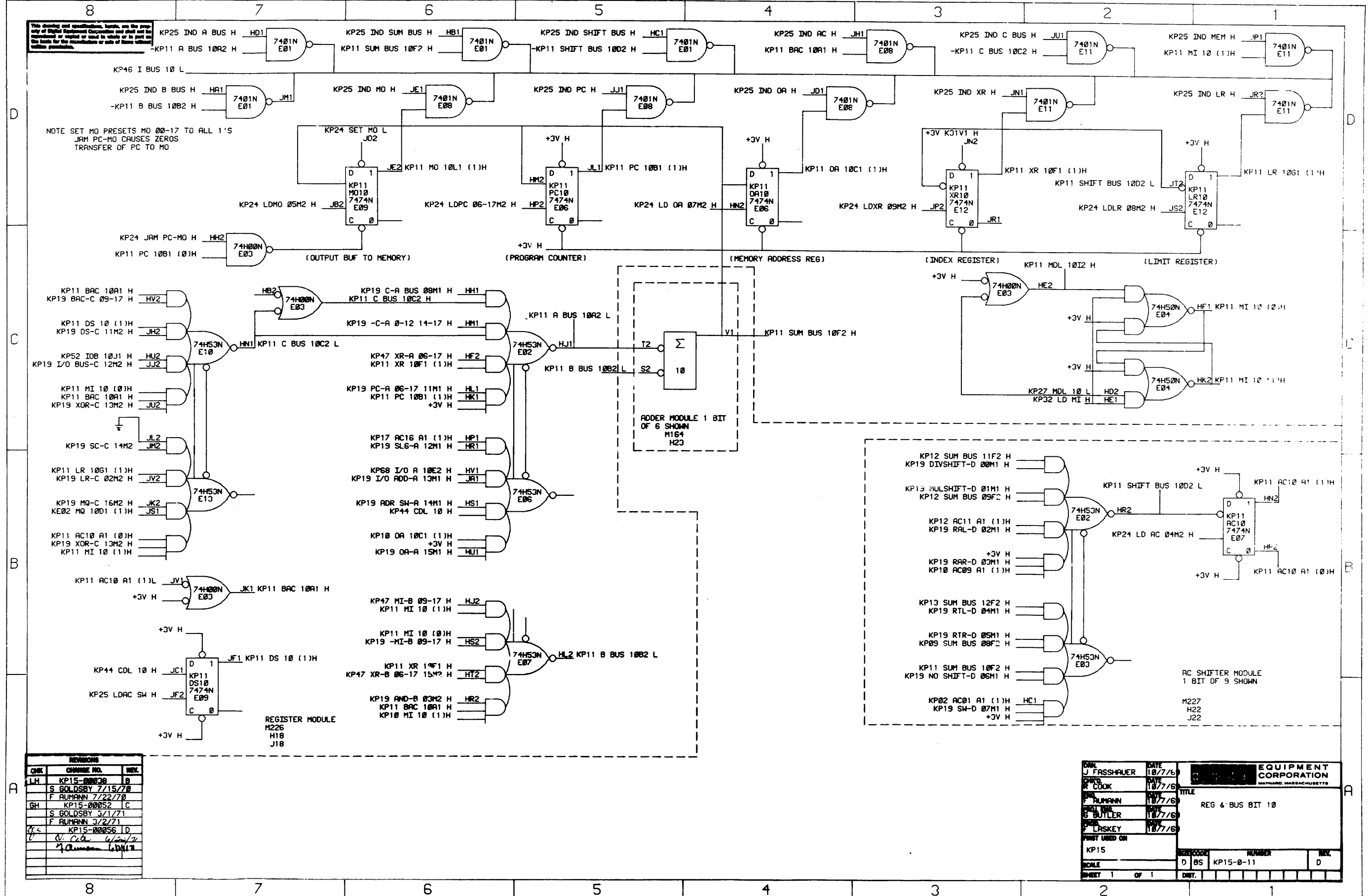
REG & BUS BIT 09

DATE: 12/7/68

DESIGNED BY	J. C. COLE
CHECKED BY	R. J. COLE
DATE	12/7/68
SCALE	D 05
PROJECT	1
OF	1
REV.	

This drawing and specification, herein, are the property of Digital Equipment Corporation and shall not be reproduced or copied or used in whole or in part on the basis of the information or data of items without written permission.

NOTE SET MO PRESETS MO 00-17 TO ALL 1'S
JAM PC-MO CAUSES ZEROS
TRANSFER OF PC TO MO

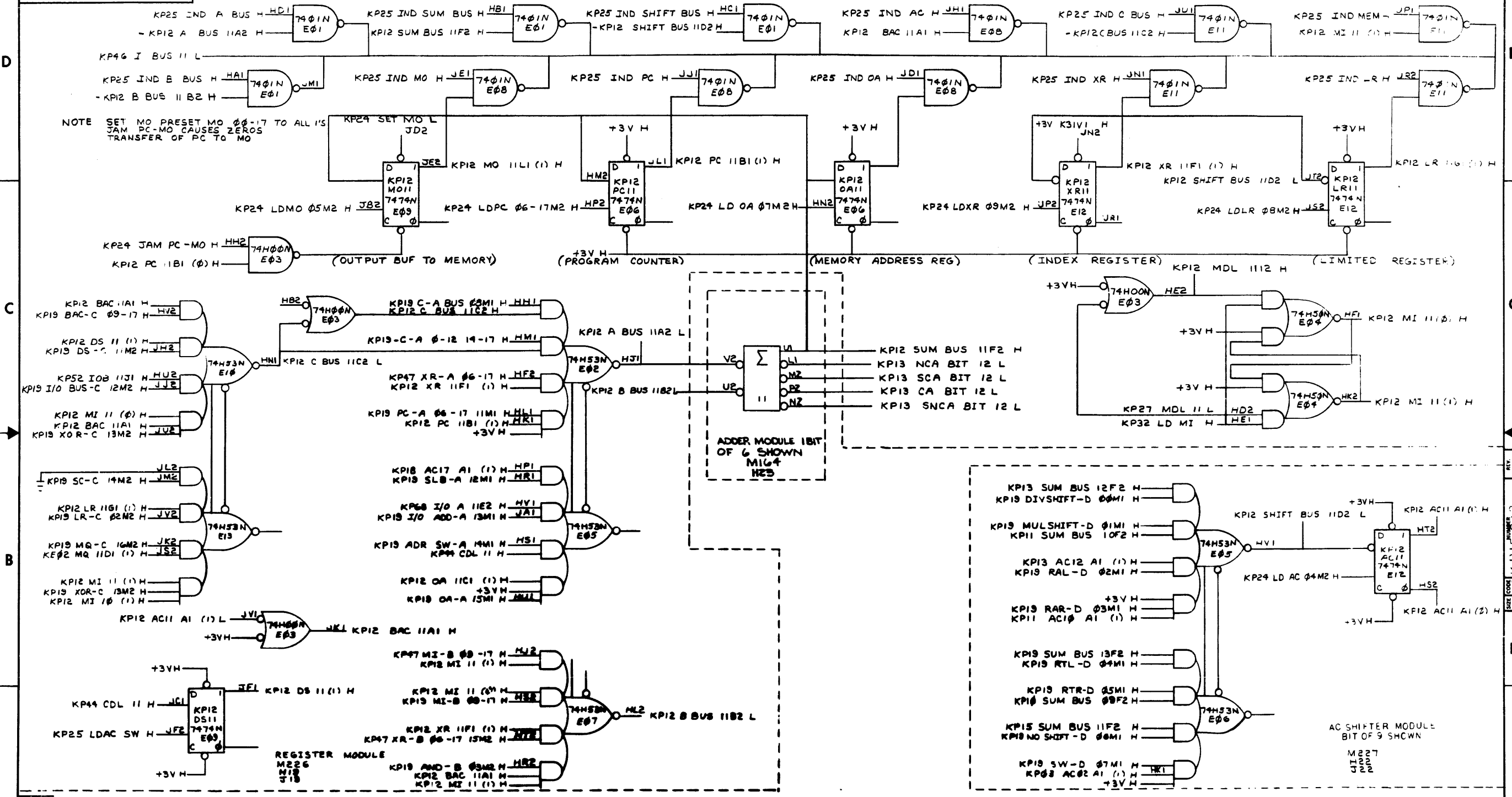


REVISIONS		
CHK	CHANGE NO.	REV.
LH	KP15-00030	B
S	GOLDSBY 7/15/70	
F	ALMANN 7/22/70	
GH	KP15-00052	C
S	GOLDSBY 3/1/71	
F	ALMANN 3/2/71	
CP	KP15-00056 1D	
V	N. O. B. 4/2/72	
7	ALMANN 6/2/72	

DRN	J. FASSHAUER	DATE	10/7/6
CHKD	R. COOK	DATE	10/7/6
DRN	F. ALMANN	DATE	10/7/6
CHKD	S. BUTLER	DATE	10/7/6
DRN	P. LASKEY	DATE	10/7/6
DRN	J. LASKEY	DATE	10/7/6

EQUIPMENT CORPORATION MAYFARLD, MASSACHUSETTS	
TITLE	NUMBER
REG 4 - BUS BIT 10	KP15-0-11
D	D
SCALE 1	OF 1
SHEET	DIST.

THIS DRAWING AND SPECIFICATIONS, HEREIN, ARE THE PROPERTY OF DIGITAL EQUIPMENT CORPORATION AND SHALL NOT BE REPRODUCED OR COPIED IN WHOLE OR IN PART AS THE BASIS FOR THE MANUFACTURE OR SALE OF ITEMS WITHOUT WRITTEN PERMISSION. COPYRIGHT © 1975, DIGITAL EQUIPMENT CORPORATION



NOTE SET MO PRESET MO 00-17 TO ALL 1'S
JAM PC-MO CAUSES ZEROS
TRANSFER OF PC TO MO

ADDER MODULE 1 BIT
OF 6 SHOWN
M164
H25

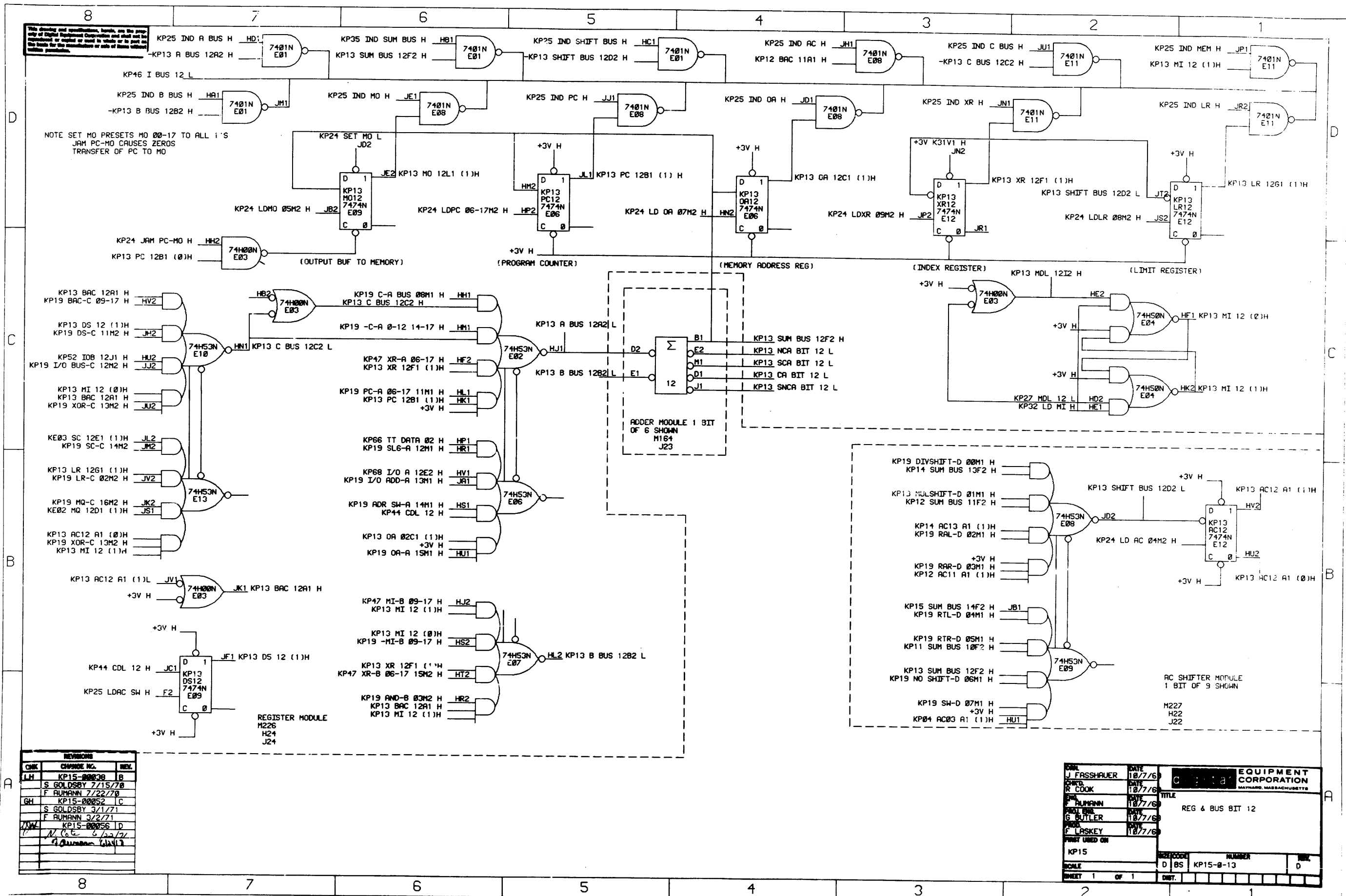
AC SHIFTER MODULE
BIT OF 9 SHOWN
M227
J102
J122

REGISTER MODULE
M226
M18
J18

REV.	
CHG	
REV.	
CHG	

DRN. <i>Wilson</i> 2/4/75	FIRST USED ON	digital
CHK'D BY <i>Conrad</i> 3/5/75	KP15-C	
ENG. <i>F. DeW</i> 5/25/75	TITLE	REG & BUS BIT 11
PROJ. ENG. <i>J. G.</i> 2/2/75		
PROG. <i>Wilson</i> 3/2/75		
NEXT HIGHER ASSY.	SIZE CODE	NUMBER
B-DD-KP15-C	D BS	KP15-C-12
SCALE	DIST.	REV.
SHEET 1 OF 1		

This drawing and specifications, herein, are the property of Digital Equipment Corporation and shall not be reproduced or copied or used in whole or in part without the written consent of Digital Equipment Corporation.



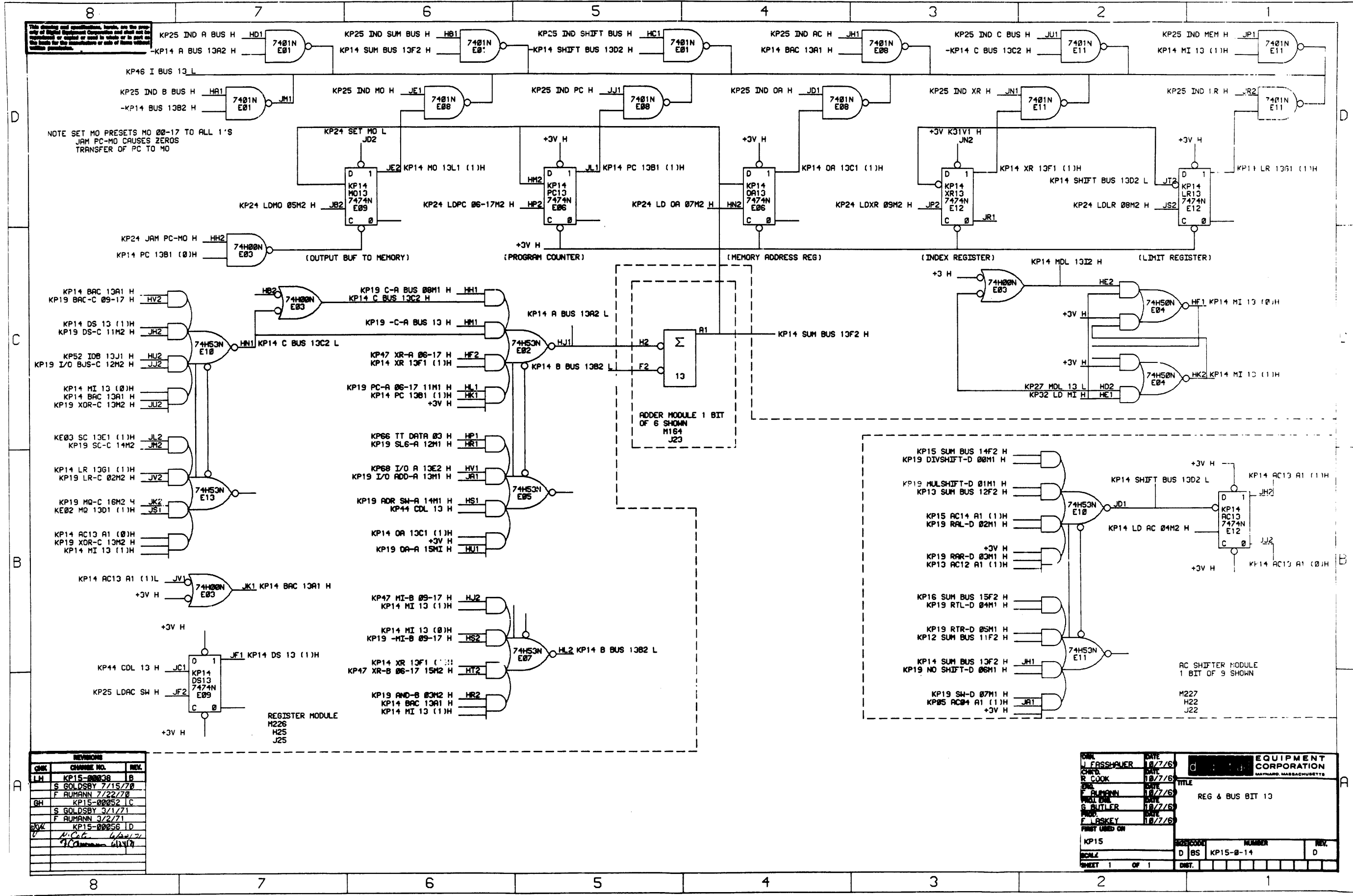
CHK	CHANGE NO.	REV.
LH	KP15-00038	B
S	GOLDSBY 7/15/70	
F	RUMANN 7/22/70	
GH	KP15-00052	C
S	GOLDSBY 3/1/71	
F	RUMANN 3/2/71	
WW	KP15-00056	D
M	CoE 6/22/71	
	Rumann 6/24/71	

DATE	BY	TITLE
10/7/69	J. FRASCHAUER	
10/7/69	R. COOK	
10/7/69	F. RUMANN	
10/7/69	G. BUTLER	
10/7/69	F. LASKEY	

SCALE	CODE	NUMBER	REV.
D	BS	KP15-0-13	D

SHEET	OF	DIST.
1	1	

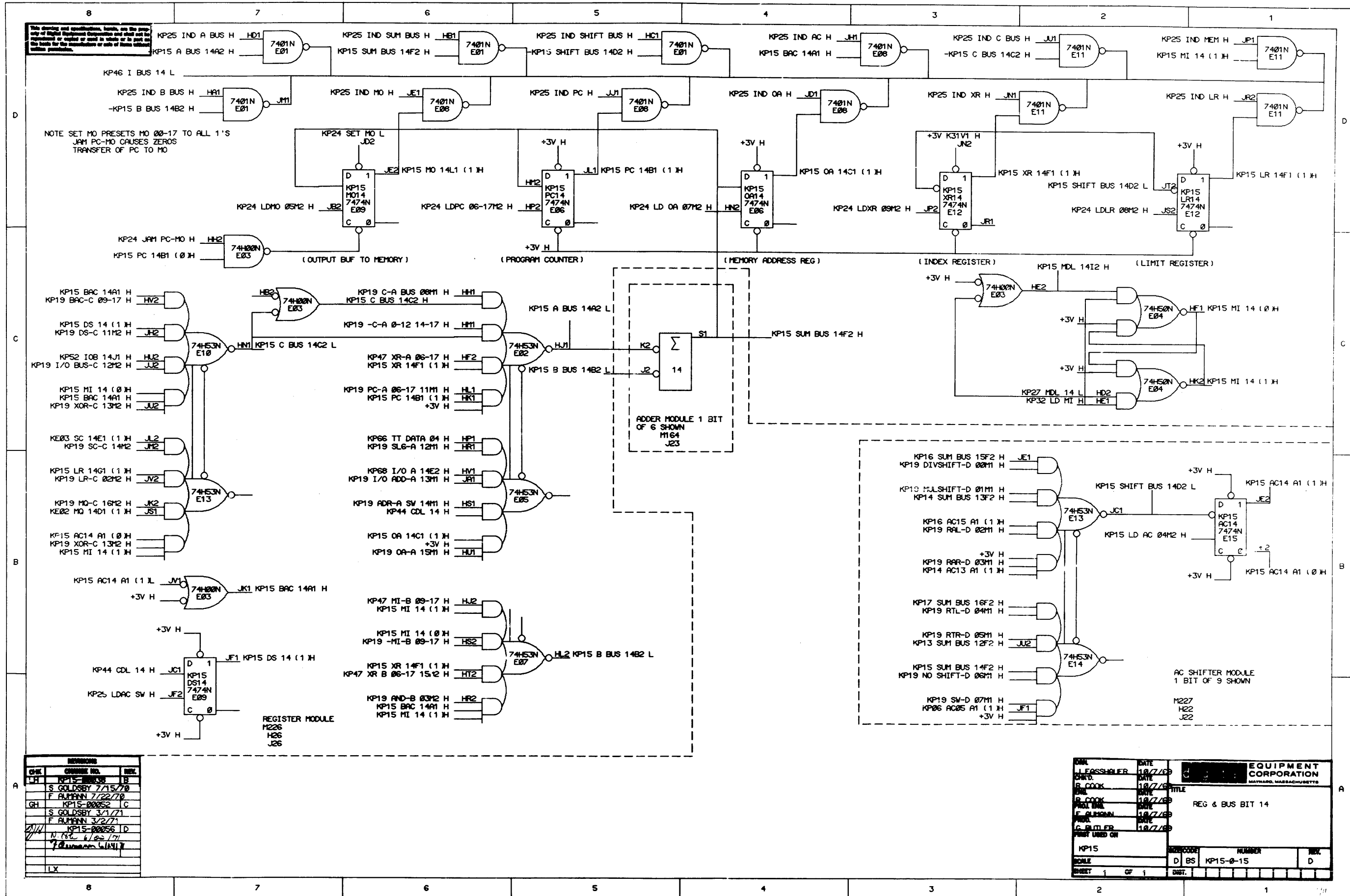
This drawing and specifications, herein, are the property of Digital Equipment Corporation and shall not be reproduced, stored in a retrieval system, or transmitted in any form or by any means, electronic, mechanical, photocopying, recording, or by any information storage and retrieval system, without the prior written permission of Digital Equipment Corporation.



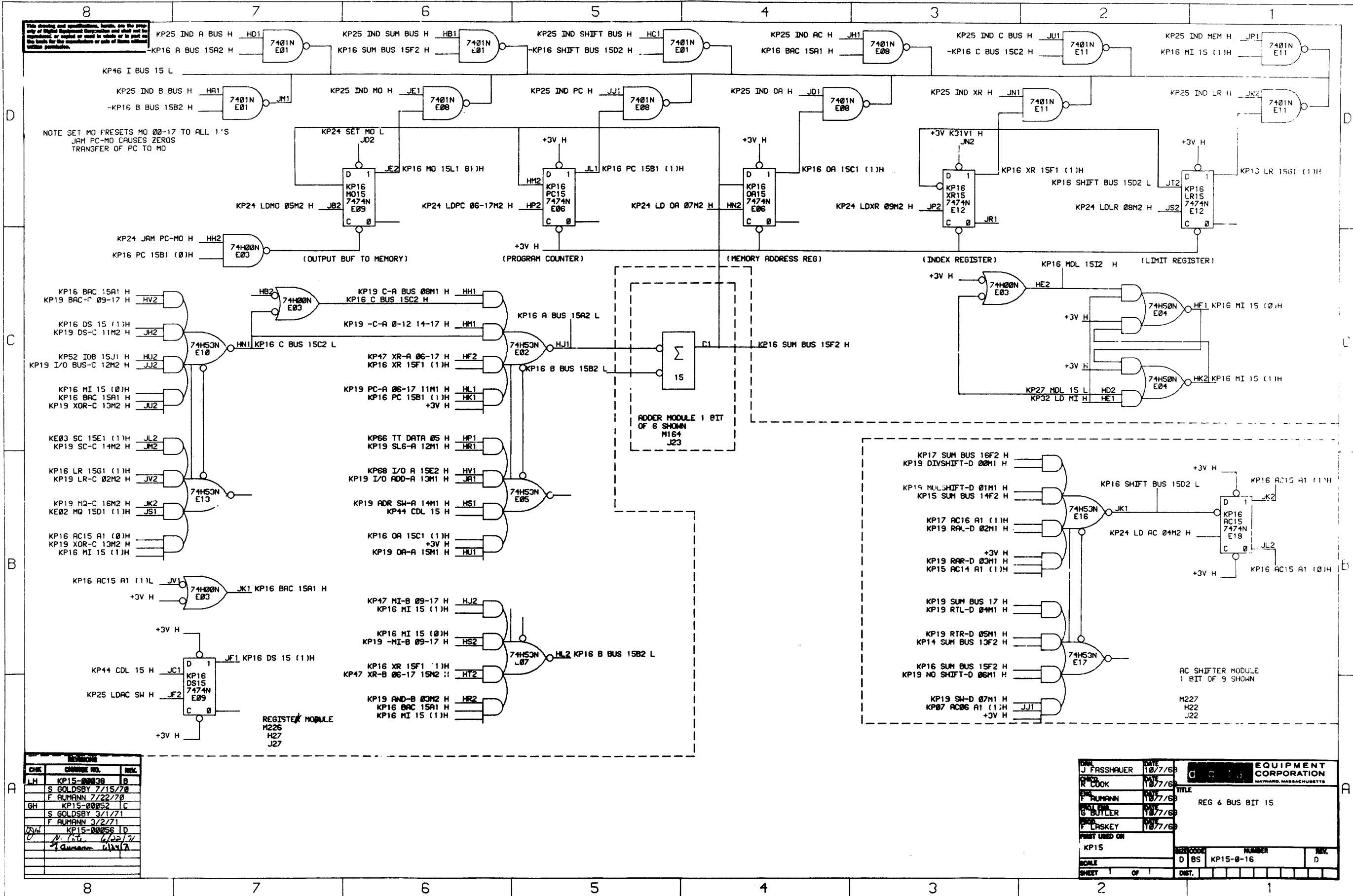
REVISIONS		
CHK	CHANGE NO.	REV.
LH	KP15-00038	B
S	GOLDSBY 7/15/70	
F	RUMANN 7/22/70	
BH	KP15-00052	C
S	GOLDSBY 3/1/71	
F	RUMANN 3/2/71	
AKK	KP15-00056	D
V	4/26/71	
V	4/26/71	

DRAWN		DATE		EQUIPMENT CORPORATION	
J. FASSBAUER	10/7/68	MAYNARD, MASSACHUSETTS			
R. COOK	10/7/68				
TITLE				REG & BUS BIT 13	
F. RUMANN	10/7/68				
G. BUTLER	10/7/68				
F. LASKEY	10/7/68				
FIRST USED ON					
KP15	NO. 1000	NUMBER	REV.		
D BS	KP15-B-14		D		
SHEET 1 OF 1					

This drawing and specifications, herein, are the property of Digital Equipment Corporation and shall not be reproduced or copied in whole or in part or by any means for the manufacture or sale of items without written permission.



This drawing and specifications, herein, are the property of Digital Equipment Corporation and shall not be reproduced or copied or used in whole or in part on any basis for the manufacture or sale of items without written permission.

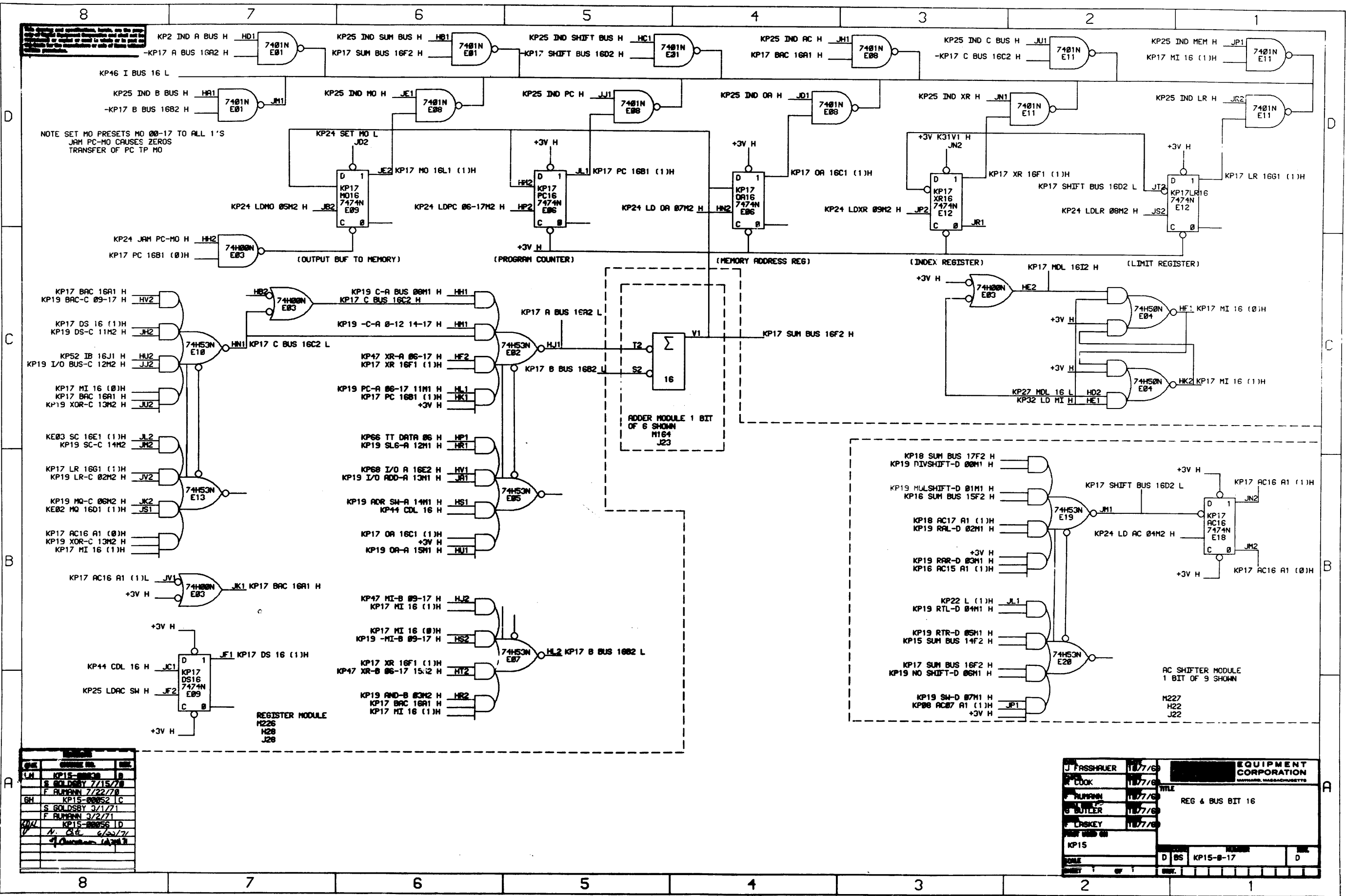


CHK	CHKD NO.	REV.
LH	KP15-00038	B
S	GOLDSBY 7/15/70	
F	RUMANN 7/22/70	
GH	KP15-00052	C
S	GOLDSBY 3/1/71	
F	RUMANN 3/2/71	
DP	KP15-00056	D
N	1st 6/22/71	
1st	1st 6/22/71	

DATE	BY	TITLE
10/7/69	J FRASCHAUER	REG & BUS BIT 15
10/7/69	R COOK	
10/7/69	F RUMANN	
10/7/69	G BUTLER	
10/7/69	P LASKY	

REV.	DATE	BY
D	BS	KP15-0-16

No opening and connections, leads, are the same as shown on the previous drawing. In order to avoid confusion, the number of connections is given in parentheses next to the symbol.



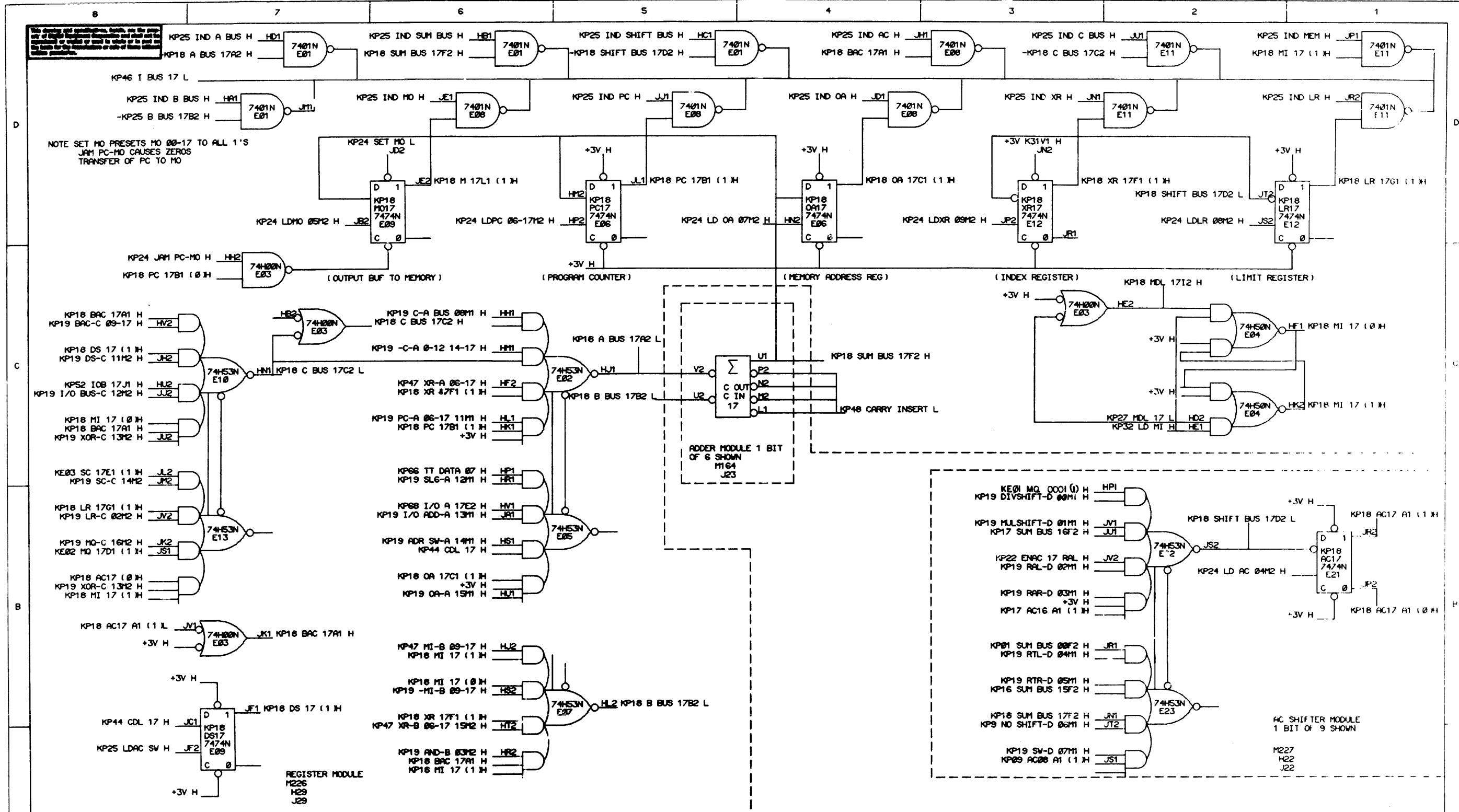
DATE	REVISION	BY
1/15/68	1	...
7/15/70	2	...
7/22/70	3	...
3/17/71	4	...
3/2/71	5	...
6/20/71	6	...

DATE	REVISION	BY	TITLE
10/7/68	1	J. FRASSHAUER	REG & BUS BIT 16
11/7/68	2	R. COOK	
11/7/68	3	F. RUMANN	
11/7/68	4	S. BUTLER	
11/7/68	5	F. LASKY	

8 7 6 5 4 3 2 1

8 7 6 5 4 3 2 1

The drawing and specifications herein are the property of the Equipment Corporation and shall not be reproduced or used in whole or in part without the written permission of the Equipment Corporation.



REVISIONS			REVISIONS		
CHK	CHANGE NO.	REV.	CHK	CHANGE NO.	REV.
LH	KP15-00056	C	J.F.	KP15-00082	F
S	GOLDSBY 7/15/70				
F	ALMANN 7/22/70				
GH	KP15-00052	D			
S	GOLDSBY 3/1/71				
F	ALMANN 3/2/71				
	KP15-00056	E			
	N. STA 6/22/71				
	70mmmm (1) 1/17				

L	HODOS	7/15/70	EQUIPMENT CORPORATION MAYFIELD, MASSACHUSETTS
L	HODOS	7/15/70	
F	ALMANN	7/15/70	
F	ALMANN	7/15/70	
F	LASKY	7/15/70	
FIRST USED ON KP15			TITLE REG & BUS BIT 17
SCALE	C BS	NUMBER KP15-0-18	
SHEET	OF	DRY.	REV. F

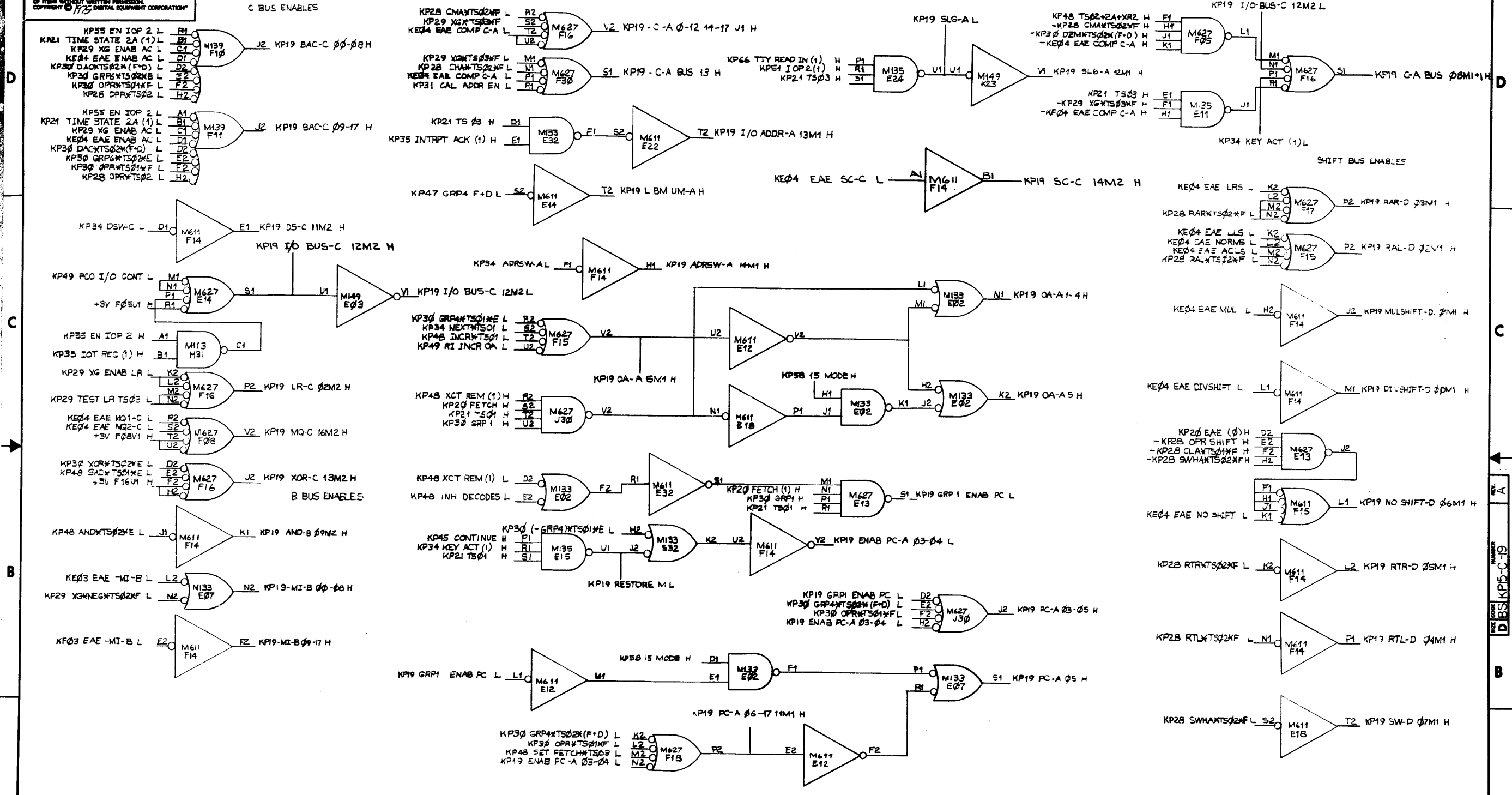
THIS DRAWING AND SPECIFICATIONS HEREIN ARE THE PROPERTY OF DIGITAL EQUIPMENT CORPORATION AND SHALL NOT BE REPRODUCED OR COPIED OR USED IN WHOLE OR IN PART AS THE BASIS FOR THE MANUFACTURE OR SALE OF ITEMS WITHOUT WRITTEN PERMISSION. COPYRIGHT © 1975 DIGITAL EQUIPMENT CORPORATION

SI-C-19 2

A BUS ENABLES

C BUS ENABLES

B BUS ENABLES

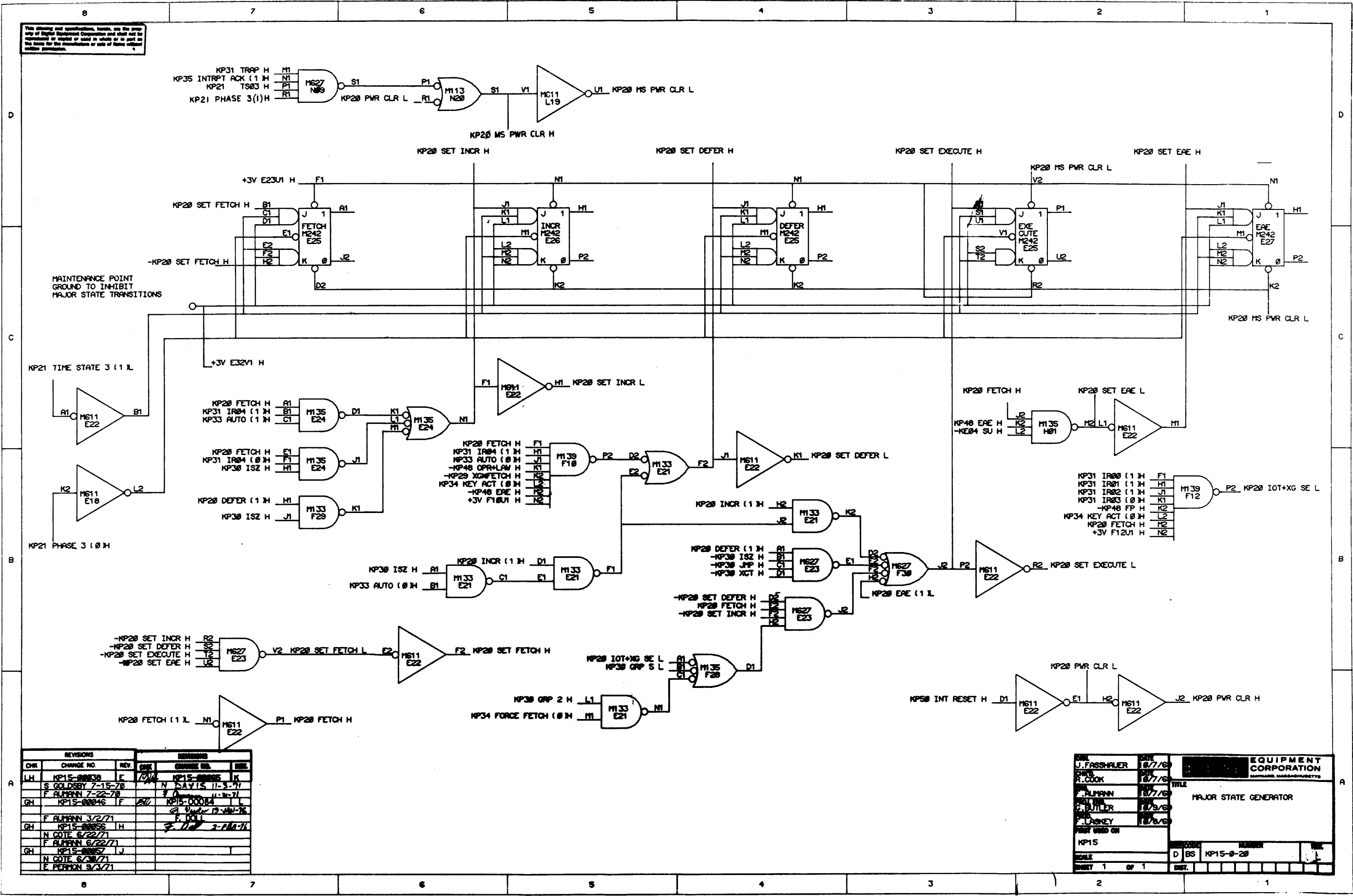


REV.	REV.
1	A
2	A
3	A
4	A
5	A
6	A
7	A
8	A

DRN. of Rev. 2/17/75	FIRST USED ON	KP15-C
CHK'D Rev. 2/17/75	TITLE	MAJOR BUS CONTROL LOGIC
ENG. F. Dell 2/20/75	SIZE CODE	D BS
PROD. 2/20/75	NUMBER	KP15-C-19
NEXT HIGHER ASSY.	SCALE	1 OF 1
B-DD-KP15-C	SHEET	1 OF 1
REV. A		

REV. A
REV. B
REV. C
REV. D
REV. E
REV. F
REV. G
REV. H
REV. I
REV. J
REV. K
REV. L
REV. M
REV. N
REV. O
REV. P
REV. Q
REV. R
REV. S
REV. T
REV. U
REV. V
REV. W
REV. X
REV. Y
REV. Z

This drawing and specifications, herein, are the property of Digital Equipment Corporation and shall not be reproduced or copied or used in whole or in part in any form for the manufacture of any of items without written permission.



REVISIONS		REVISIONS	
CHK	CHANGE NO.	REV	CHK
LH	KP15-00038	E	KP15-00038
S	GOLDSBY 7-15-70	N	DAVIS 11-3-71
F	ALMANN 7-22-70	J	ALMANN 11-3-71
GH	KP15-00046	F	KP15-00084
F	ALMANN 3/2/71	F	DOLL 12-10-76
GH	KP15-00056	H	3-11-77
N	COTE 6/22/71		
F	ALMANN 6/22/71		
GH	KP15-00057	J	
N	COTE 6/30/71		
F	PERMON 9/3/71		

NAME	DATE	TITLE
J. FASHNER	8/7/6	
R. COOK	8/7/6	
F. ALMANN	8/7/6	
C. BUTLER	8/3/6	
F. LASKY	10/8/6	

EQUIPMENT CORPORATION
MAYNARD, MASSACHUSETTS

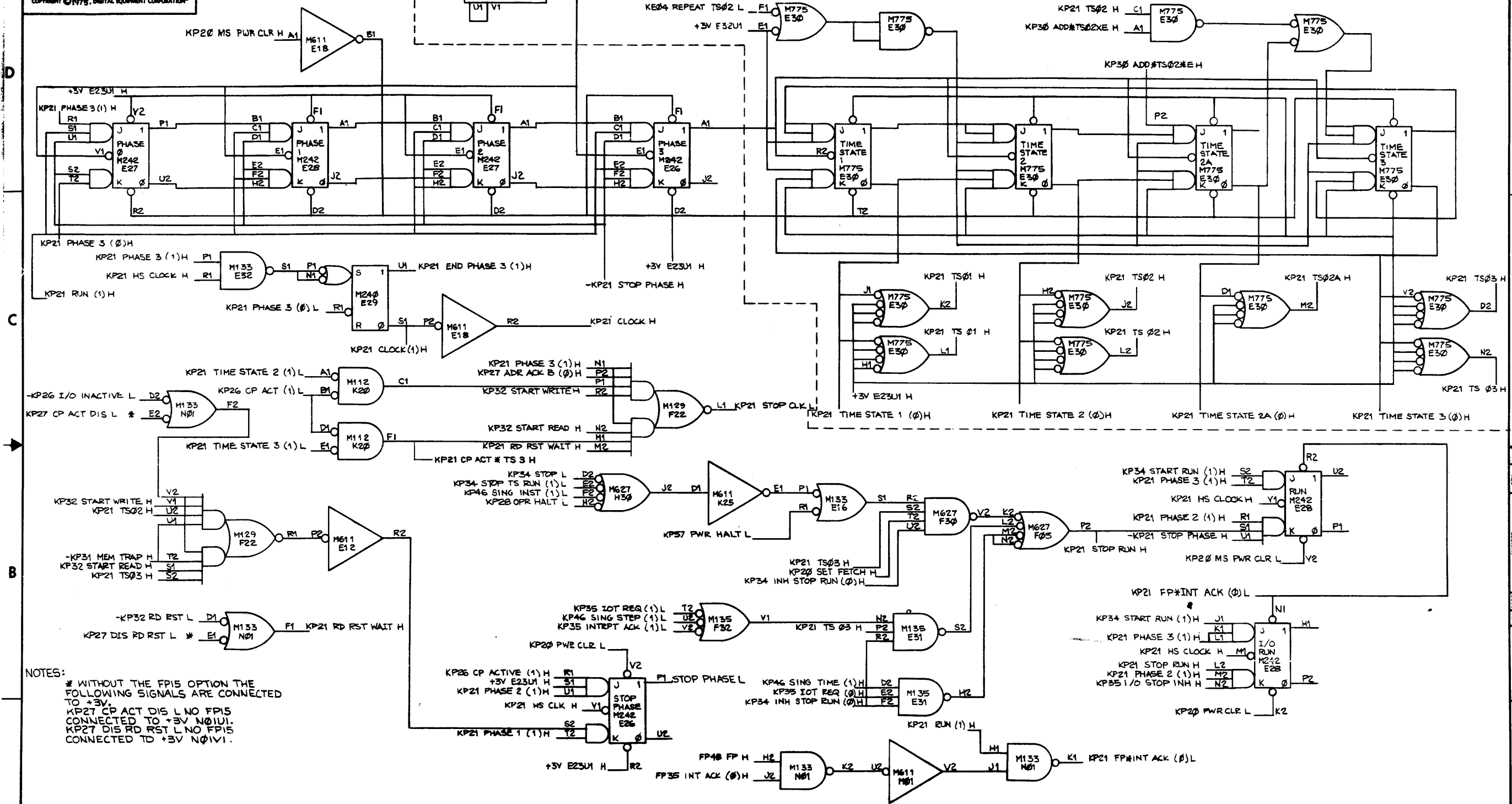
MAJOR STATE GENERATOR

PROJECT NO. KP15-0-20

SHEET 1 OF 1

THIS DRAWING AND SPECIFICATIONS HEREIN ARE THE PROPERTY OF DIGITAL EQUIPMENT CORPORATION AND SHALL NOT BE REPRODUCED OR COPIED OR USED IN WHOLE OR IN PART AS THE BASIS FOR THE MANUFACTURE OR SALE OF ITEMS WITHOUT WRITTEN PERMISSION. COPYRIGHT © 1975, DIGITAL EQUIPMENT CORPORATION

NOTE: TYPICAL TIME 60 NS

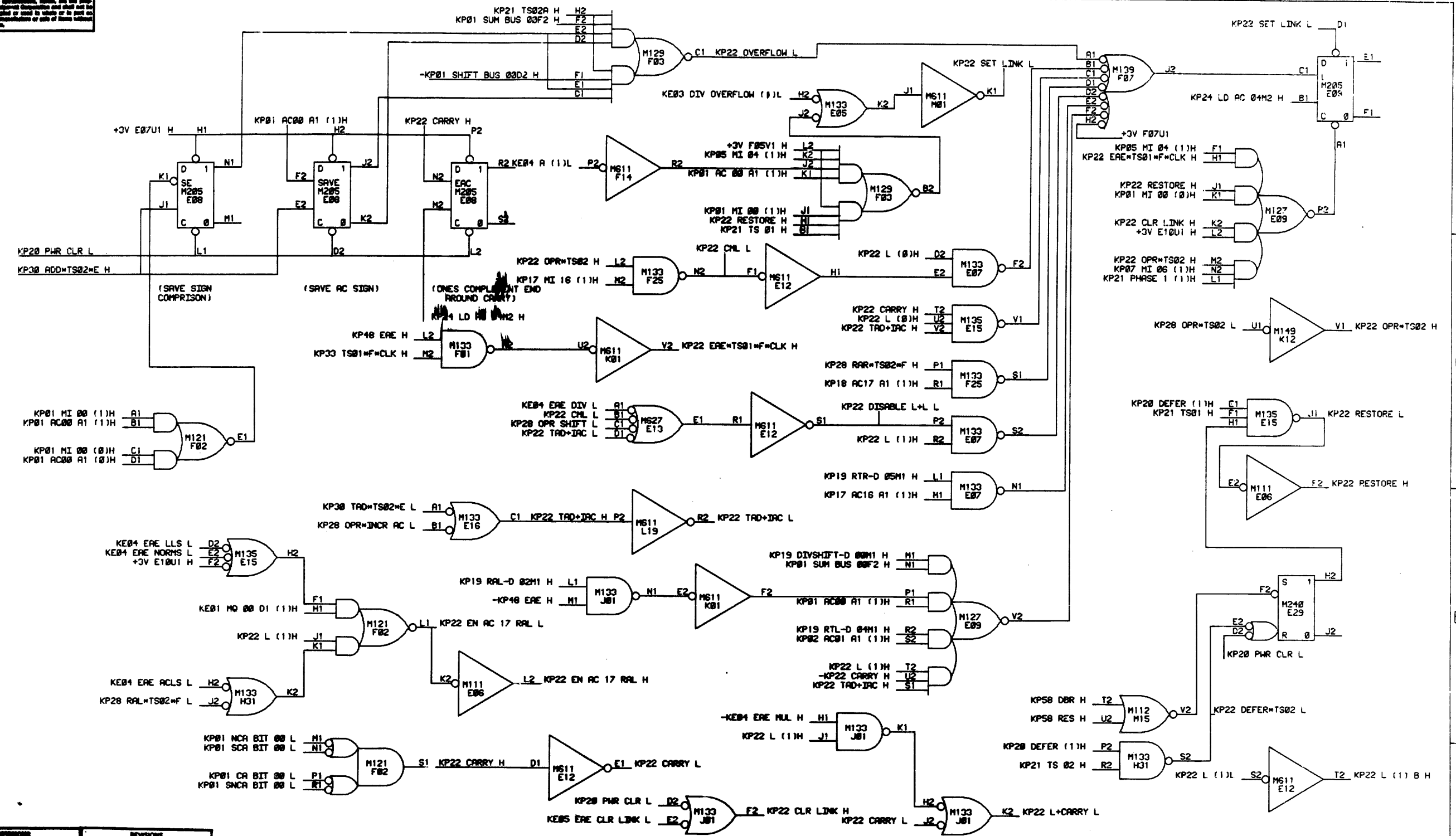


NOTES:
 * WITHOUT THE FP15 OPTION THE FOLLOWING SIGNALS ARE CONNECTED TO +3V.
 KP27 CP ACT DIS L NO FP15 CONNECTED TO +3V NØ1U1.
 KP27 DIS RD RST L NO FP15 CONNECTED TO +3V NØ1V1.

REV.	A
CHANGE NO.	1
DATE	10/15/75
BY	F. DOLL
CHKD	F. DOLL
DATE	11/13/75

DRN	3/28/75	FIRST USED ON	KP15-C
CHK'D BY	4/4/75	TITLE	TIME STATE GEN WITH START STOP CONT
ENG.	4/1/75	SIZE	D BS
PROJ. ENG.	4/1/75	NUMBER	KP15-C-21
PROD.	4/1/75	REV.	A
NEXT HIGHER ASSY.		SCALE	
B-00-KP15-C		SHEET	1 OF 1

This drawing and specifications herein are the property of Equipment Corporation and shall not be reproduced or used in whole or in part on any other project without the written consent of Equipment Corporation.

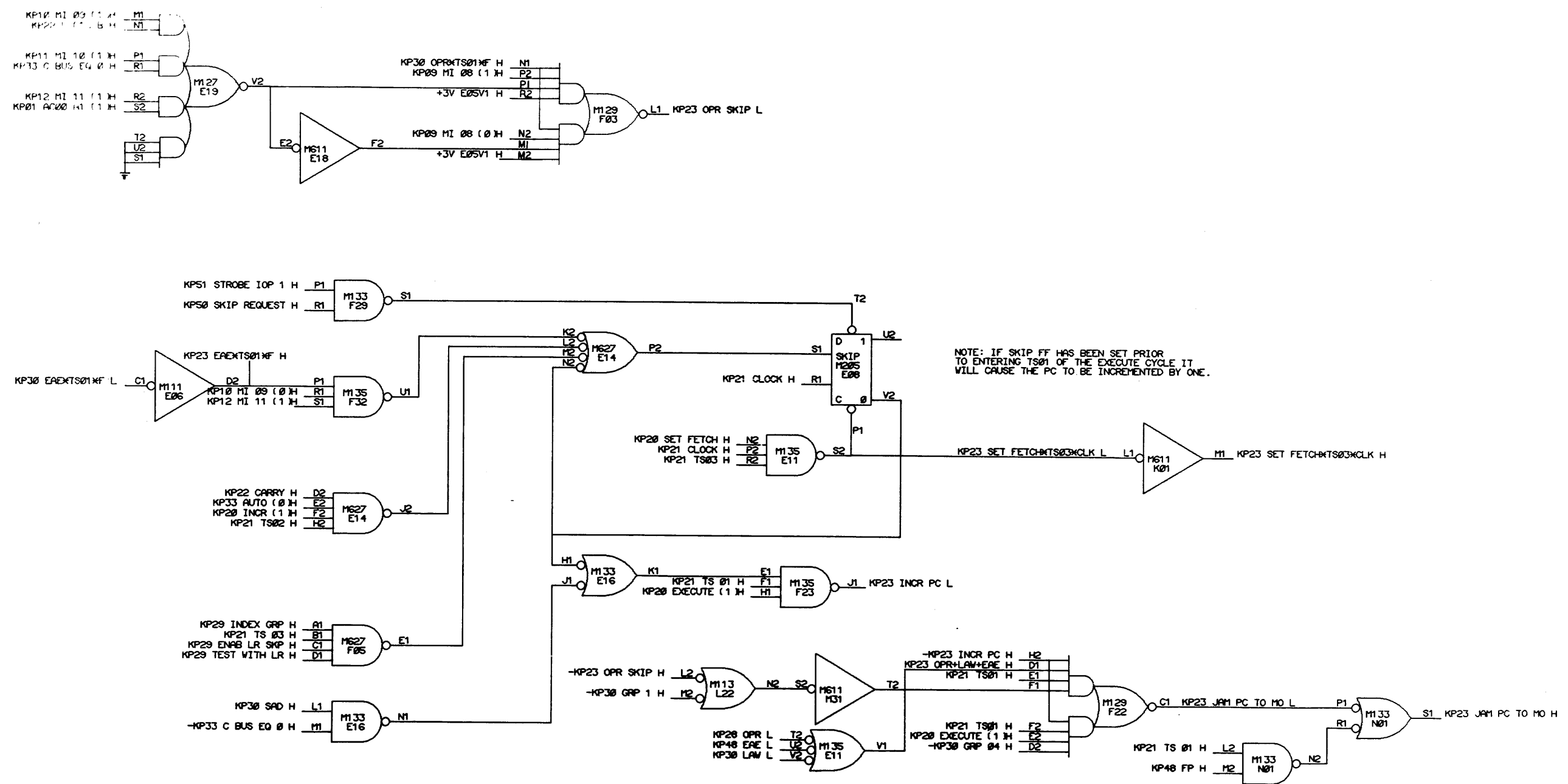


REVISIONS		REVISIONS	
CHK	CHANGE NO.	CHK	CHANGE NO.
LH	KP15-00038	E	J8 KP15-00082
S	GOLDSBY 7-15-70		9. Youce 2-22-74
F	RUMANN 7-22-70		F DOLL
E.J.H.	KP15-00046	F	7. Ball 7-4-74
K	WALSH 12/18/70		F. RUMANN 12-18-70
F	RUMANN 12/18/70		KP15-00084
KP15-00055	I.H.		9. Youce 12-18-74
KP15-00075	J		F DOLL
KP15-00075	J		3. Ball 7-4-74
KP15-00075	J		4. Youce 9-7-72

EQUIPMENT CORPORATION	
J. FRISCHAUER 10/7/6	DATE
R. COOK 10/7/6	DATE
F. RUMANN 10/7/6	DATE
S. J. LITLER 11/9/6	DATE
F. L. SKEY 11/8/6	DATE
TITLE LINK-LINK CONTROL	
KP15	NUMBER
D BS	KP15-0-22
SCALE	REV. L
SHEET 1 OF 1	DIST.

5/62

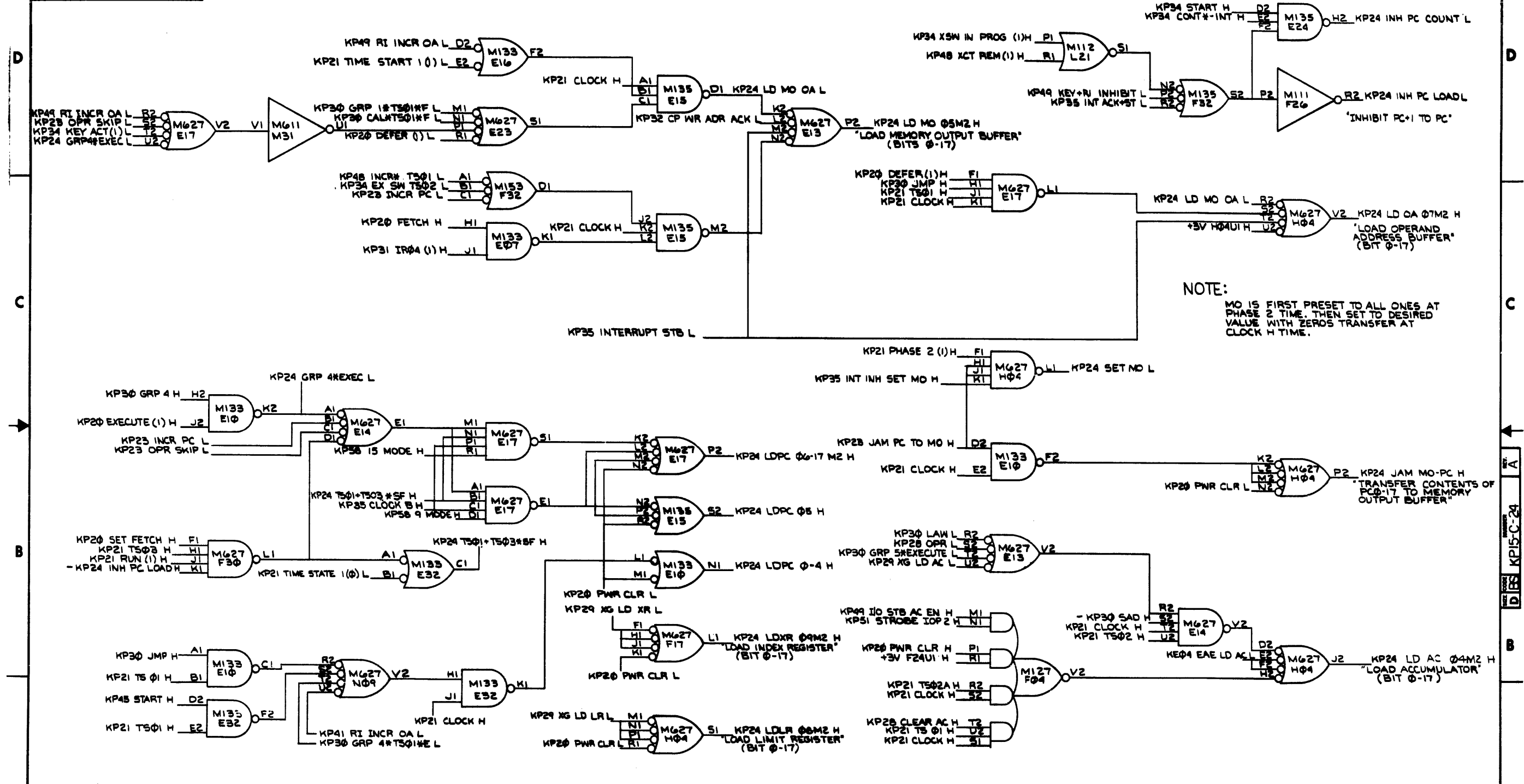
This drawing and specifications, herein, are the property of Equipment Corporation and shall not be reproduced or used in whole or in part for the construction or sale of items without written permission.



REVISIONS				REVISIONS			
CHK	CHANGE NO.	REV	CHK	CHANGE NO.	REV	CHK	REV
LH	KP15-00038	D	JH	KP15-00038	J		
	S GOLDSEY 7-15-70						
	F RUMANN 7-22-70						
G.H	KP15-00046	E	JH	KP15-00084	K		
	K WALSH 12/18/70						
	F RUMANN 12/18/70						
GH	KP15-00056	F					
	N COTE 6/22/71						
	F RUMANN 6/22/71						
GH	KP15-00057	H					
	N COTE 6/30/71						
	E PERION 9/3/71						

J. FASSHAUER	DATE	10/7/69	EQUIPMENT CORPORATION MAYFIELD, MASSACHUSETTS
R. COOK	DATE	10/7/69	
F. RUMANN	DATE	10/7/69	
G. BUTLER	DATE	10/9/69	
F. LASKEY	DATE	10/8/69	
PART USED ON		TITLE	
KP15		SKIP CONTROL	
SCALE	D BS	NUMBER	REV.
SHEET 1	OF 1	KP15-0-23	K

"THE DRAWING AND SPECIFICATIONS HEREIN ARE THE PROPERTY OF DIGITAL EQUIPMENT CORPORATION AND SHALL NOT BE REPRODUCED OR COPIED OR USED IN WHOLE OR IN PART AS THE BASIS FOR THE MANUFACTURE OR SALE OF ITEMS WITHOUT WRITTEN PERMISSION. COPYRIGHT © 1975, DIGITAL EQUIPMENT CORPORATION"



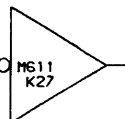
NOTE: MO IS FIRST PRESET TO ALL ONES AT PHASE 2 TIME. THEN SET TO DESIRED VALUE WITH ZEROS TRANSFER AT CLOCK H TIME.

REV.	DATE	BY	CHK
1		N. Fisher	F. Doll
2		F. Doll	J. B. Hall

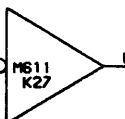
DRN. Rev. Counter	21575	FIRST USED ON	KPI5-C	DATE	3/22/75
CHK'D Rev. Counter	31675	TITLE	REGISTER STROBES		
ENG. #	3/22/75				
PROJ. ENG. #	2/21/75				
PROD. #	2662				
NEXT HIGHER ASSY.					
B-DD-KPI5-C	SIZE	CODE	NUMBER	REV.	
	D	BS	KPI5-C-24	A	
SCALE					
SHEET	OF	DIST.			

This drawing and specifications, herein, are the property of Equipment Corporation and shall not be reproduced or copied in whole or in part, or the contents thereof, for the construction or sale of items without written permission.

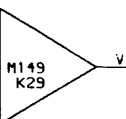
KP44 IND A BUS L — E2 — MS11 K27 — F2 — KP25 IND A BUS H



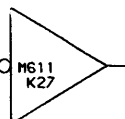
KP44 IND PC L — F1 — MS11 K27 — H1 — KP25 IND PC H



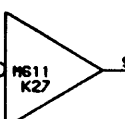
KP44 IND MMA L — U1 — M149 K29 — V1 — KP25 IND MMA H



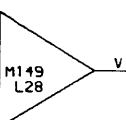
KP44 IND B BUS L — J1 — MS11 K27 — K1 — KP25 IND B BUS H



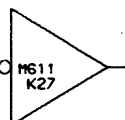
KP44 IND AC L — R1 — MS11 K27 — S1 — KP25 IND AC H



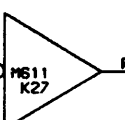
KP44 IND MMB L — U1 — M149 L28 — V1 — KP25 IND MMB H



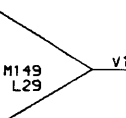
KP44 IND C BUS L — H2 — MS11 K27 — J2 — KP25 IND C BUS H



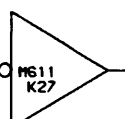
KP44 IND OR L — P2 — MS11 K27 — R2 — KP25 IND OR H



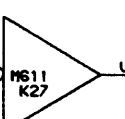
KP44 IND MST L — U1 — M149 L29 — V1 — KP25 IND MST H



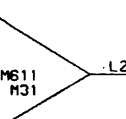
KP44 IND SUM BUS L — L1 — MS11 K27 — M1 — KP25 IND SUM BUS H



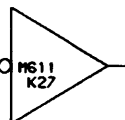
KP44 IND LR L — V1 — MS11 K27 — U1 — KP25 IND LR H



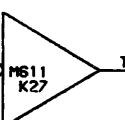
KP45 AC AVAIL L — K2 — MS11 H31 — L2 — KP25 LDAC SW H



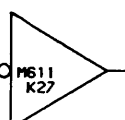
KP44 IND MO L — K2 — MS11 K27 — L2 — KP25 IND MO H



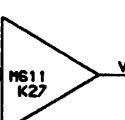
KP45 STROBE TMO L — S2 — MS11 K27 — T2 — KP25 IND MEM H



KP44 IND SHIFT BUS L — N1 — MS11 K27 — P1 — KP25 IND SHIFT BUS H



KP44 IND XR L — U2 — MS11 K27 — V2 — KP25 IND XR H



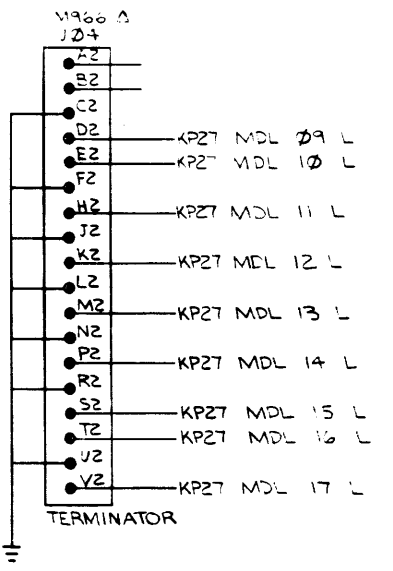
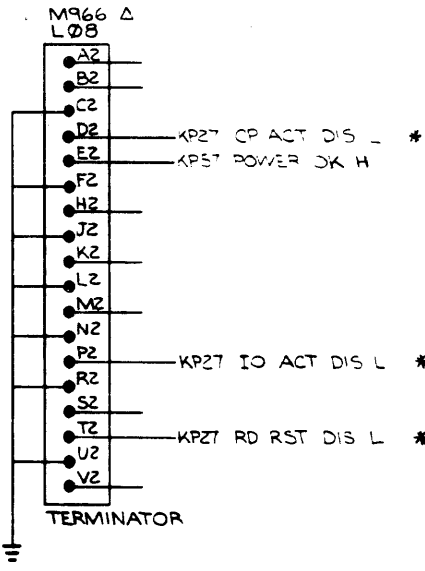
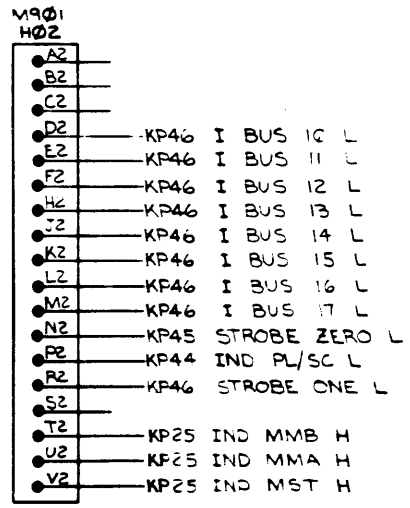
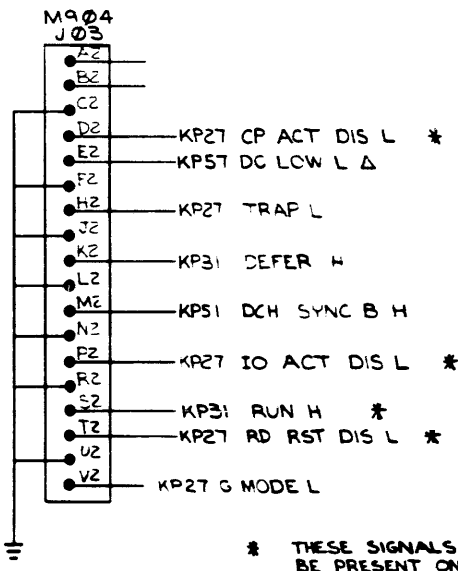
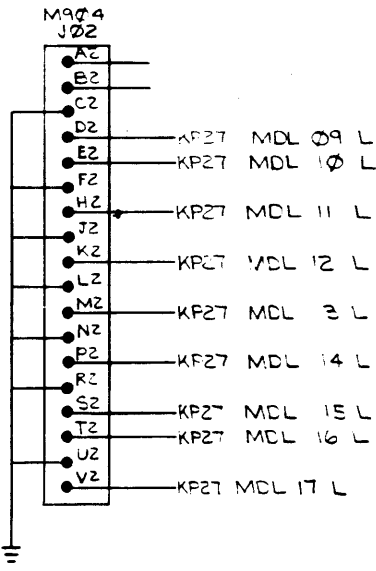
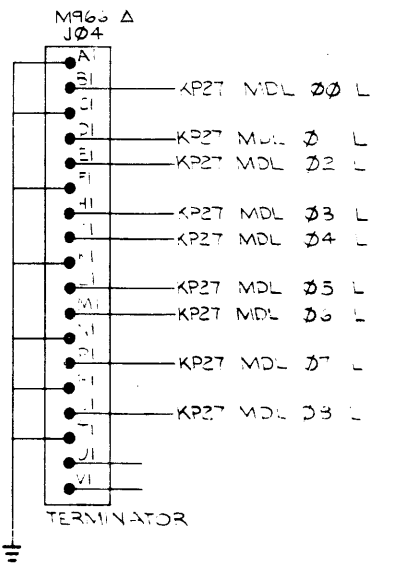
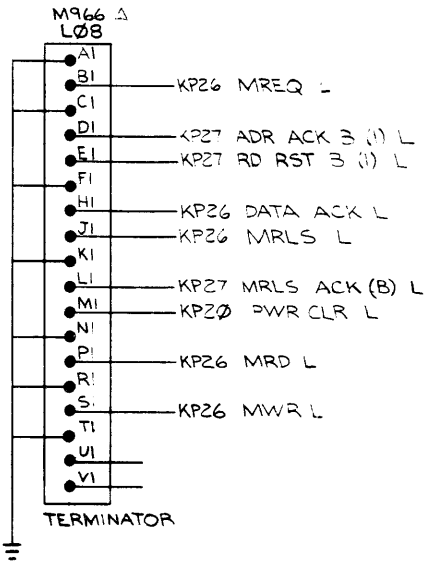
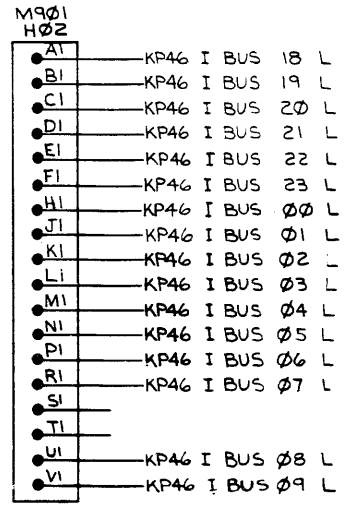
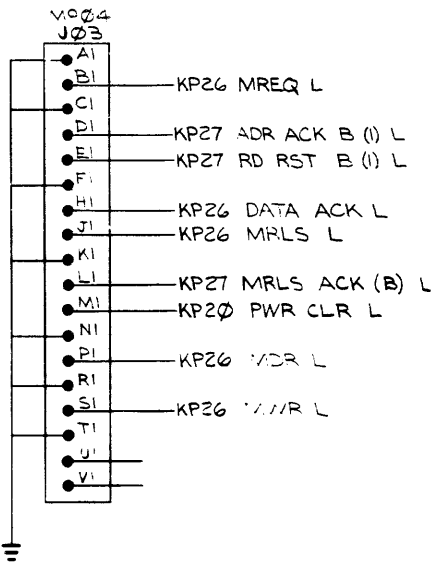
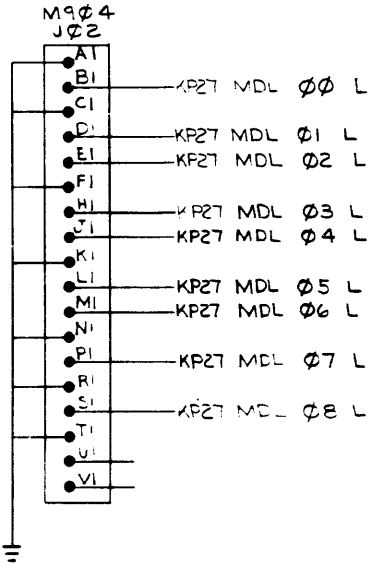
REVISIONS		
DATE	CHANGE NO.	BY
7/24/73	KP15-00038	A
7/24/73		
7/24/73		

EQUIPMENT CORPORATION MAYFIELD, MASSACHUSETTS	
TITLE INDICATOR STROBES	
DESIGNED BY E. AUMANN	DRAWN BY E. AUMANN
CHECKED BY E. LASKEY	DATE 7/24/73
PROJECT NO. KP15	REV. A
SCALE 1 OF 1	DATE D BS KP15-0-25
SHEET 1 OF 1	

THIS DRAWING AND SPECIFICATIONS, HEREIN, ARE THE PROPERTY OF DIGITAL EQUIPMENT CORPORATION AND SHALL NOT BE REPRODUCED OR COPIED OR USED IN WHOLE OR IN PART AS THE BASIS FOR THE MANUFACTURE OR SALE OF ITEMS WITHOUT WRITTEN PERMISSION. COPYRIGHT © 1975, DIGITAL EQUIPMENT CORPORATION

D
C
B
A

D
C
B
A

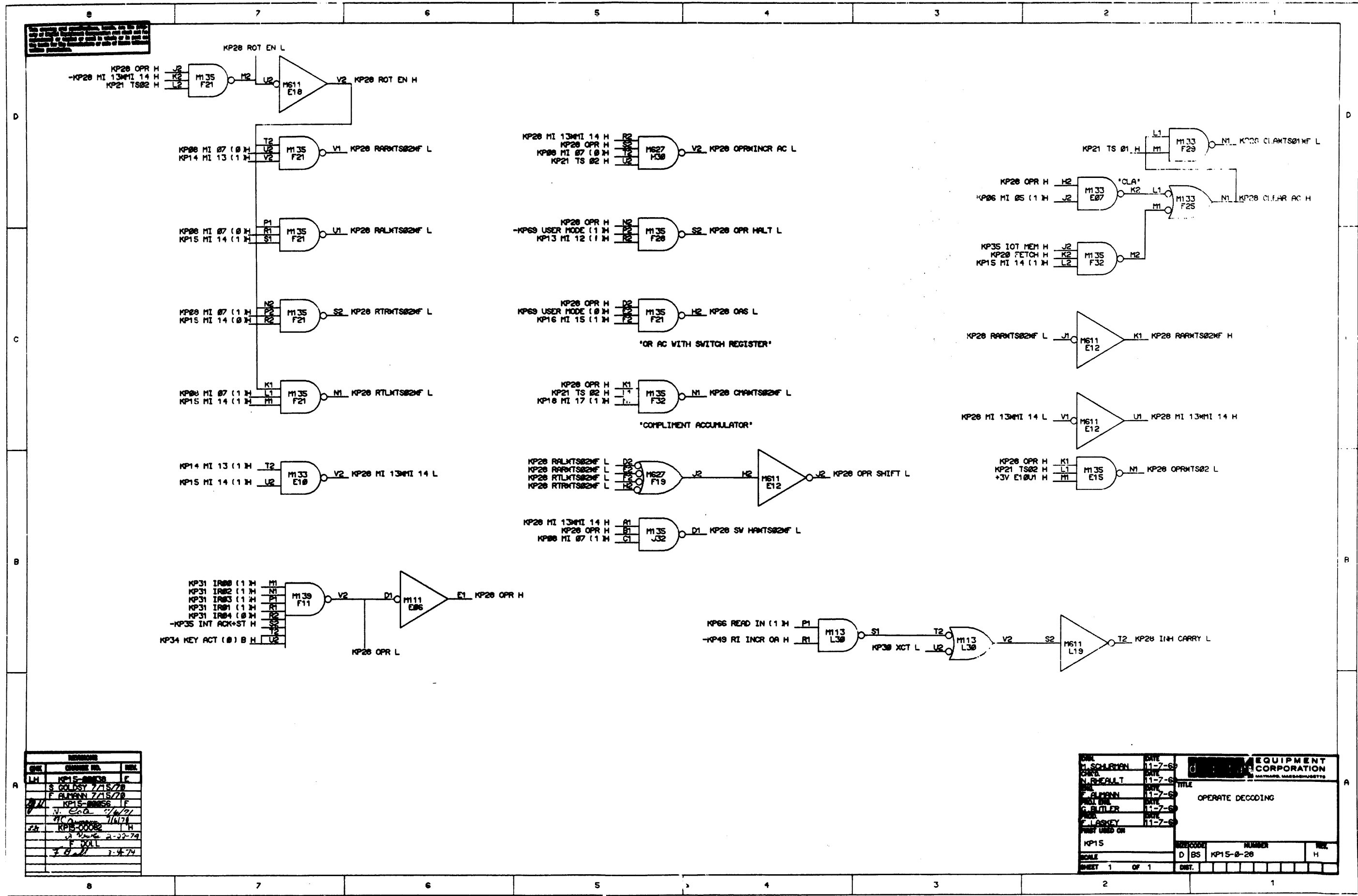


* THESE SIGNALS WILL ONLY BE PRESENT ON THE CABLE WHEN A FPI5 IS INSTALLED IN THE SYSTEM

Δ ON XVM SYSTEMS J03E2 IS KP27 IOT ENB H L22+J04 ARE M966YA'S

REV. NO.	REV.
1	A
2	B
3	C
4	D

DRN: <i>Rugg</i>	DATE: <i>2-7-75</i>	FIRST USED ON: KPI5-C	DIGITAL
CHK'D BY: <i>W. C. ...</i>	DATE: <i>3-5-75</i>	TITLE: C/P MEM INTERFACE CABLES	
ENG: <i>J. G. ...</i>	DATE: <i>2-21-75</i>		
PROD: <i>H. ...</i>	DATE: <i>2-21-75</i>		
NEXT HIGHER ASSY.: B-DD-KPI5-C		SIZE: D	CODE: BS
SCALE: <i>1</i>		NUMBER: KPI5-C-27	REV.: A
SHEET: 1	OF: 1	DIST.	

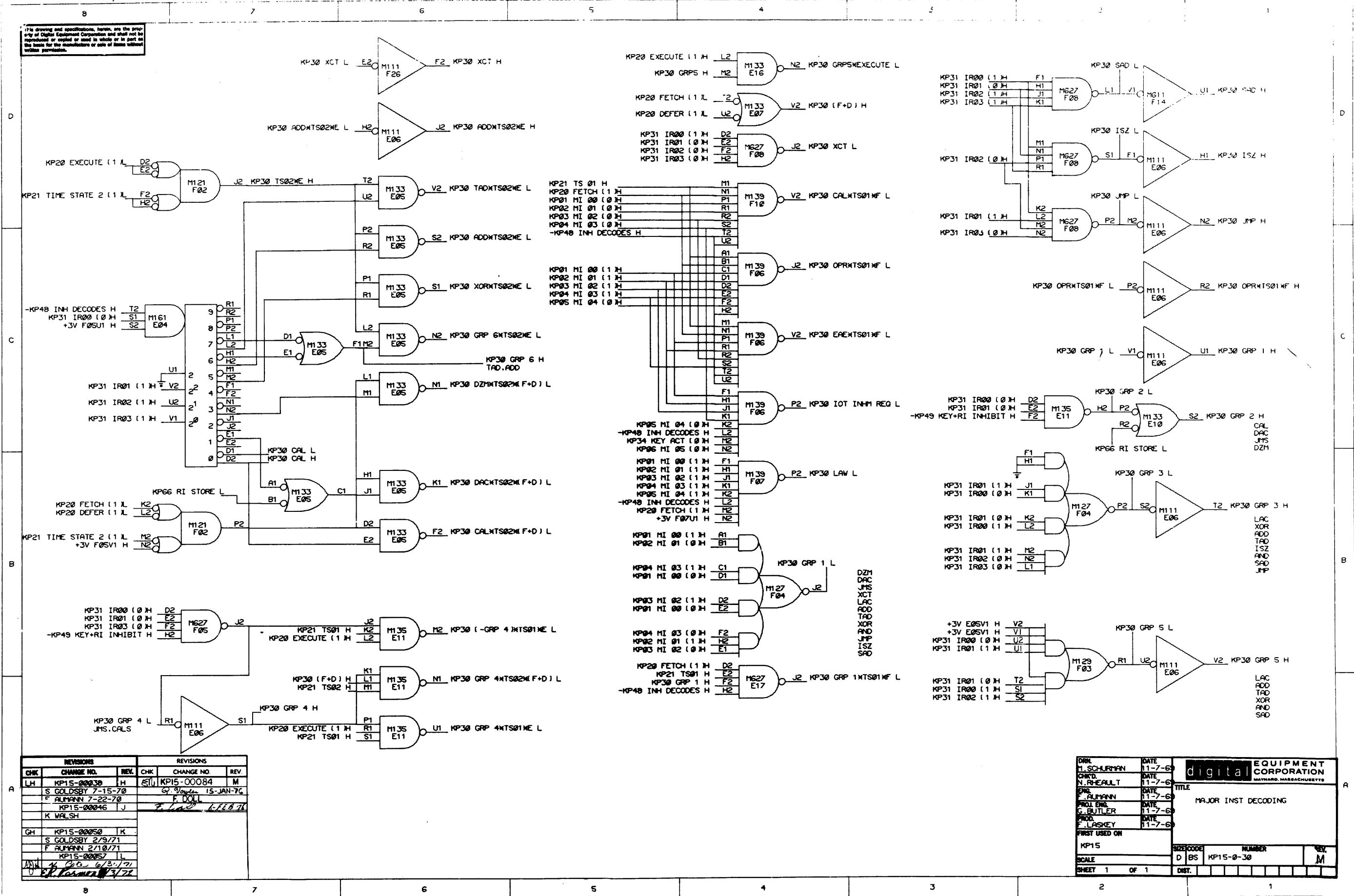


REV	CHANGE NO.	REASON
LH	0015-00028	Z
	S GOLDSY 7/15/78	
	F ALMANN 7/15/78	
	KP15-00028 IF	
	N. Eda 7/17/78	
	W. A. 11/17/78	
	KP15-00028 1 H	
	2-22-79	
	F. DALL	
	3-4-79	

DATE	BY	TITLE
11-7-69	M. S. SULLIVAN	OPERATE DECODING
11-7-69	N. R. FAULT	
11-7-69	F. ALMANN	
11-7-69	G. BUTLER	
11-7-69	F. LASKEY	

PART USED ON KP15	SIZE CODE D BS	NUMBER KP15-0-28	REV. H
SHEET 1 OF 1		DST.	

This drawing and specifications, herein, are the property of Digital Equipment Corporation and shall not be reproduced or copied or used in whole or in part as the basis for the manufacture or sale of items without written permission.

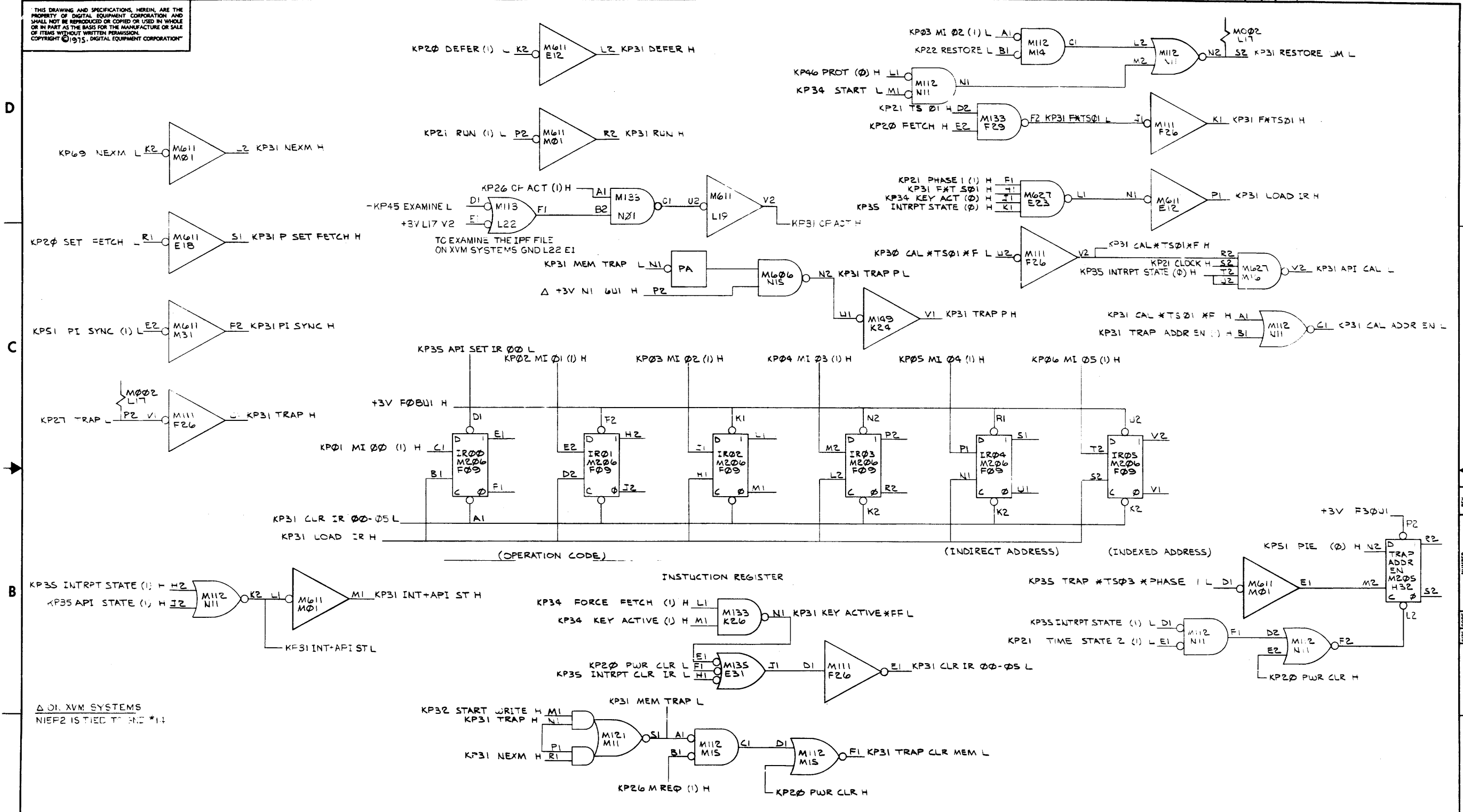


REVISIONS			REVISIONS		
CHK	CHANGE NO.	REV.	CHK	CHANGE NO.	REV.
LH	KP15-00030	H	STL	KP15-00084	M
S	GOLDSBY 7-15-70		G. Doyler	15-JAN-76	
F	ALMANN 7-22-70		F. DOLL		
	KP15-00046	J			
	K WALSH				
GH	KP15-00050	K			
	S GOLDSBY 2/9/71				
	F ALMANN 2/10/71				
	KP15-00057	L			
	KP15-00057	L			
	KP15-00057	L			

DRN	M. SCHURMAN	DATE	11-7-60	digital EQUIPMENT CORPORATION MAYNARD, MASSACHUSETTS
CHKD	N. RHEAULT	DATE	11-7-60	
ENG.	F. ALMANN	DATE	11-7-60	TITLE
PROJ. ENG.	G. BUTLER	DATE	11-7-60	MAJOR INST DECODING
PROG.	F. LASKEY	DATE	11-7-60	
FIRST USED ON	KP15	SCALE	D BS	NUMBER
				KP15-0-30
SHEET	1	OF	1	REV.
				M

THIS DRAWING AND SPECIFICATIONS, HEREIN, ARE THE PROPERTY OF DIGITAL EQUIPMENT CORPORATION AND SHALL NOT BE REPRODUCED OR COPIED OR USED IN WHOLE OR IN PART AS THE BASIS FOR THE MANUFACTURE OR SALE OF ITEMS WITHOUT WRITTEN PERMISSION. COPYRIGHT © 1975, DIGITAL EQUIPMENT CORPORATION.

BS KPI5-C-31 2

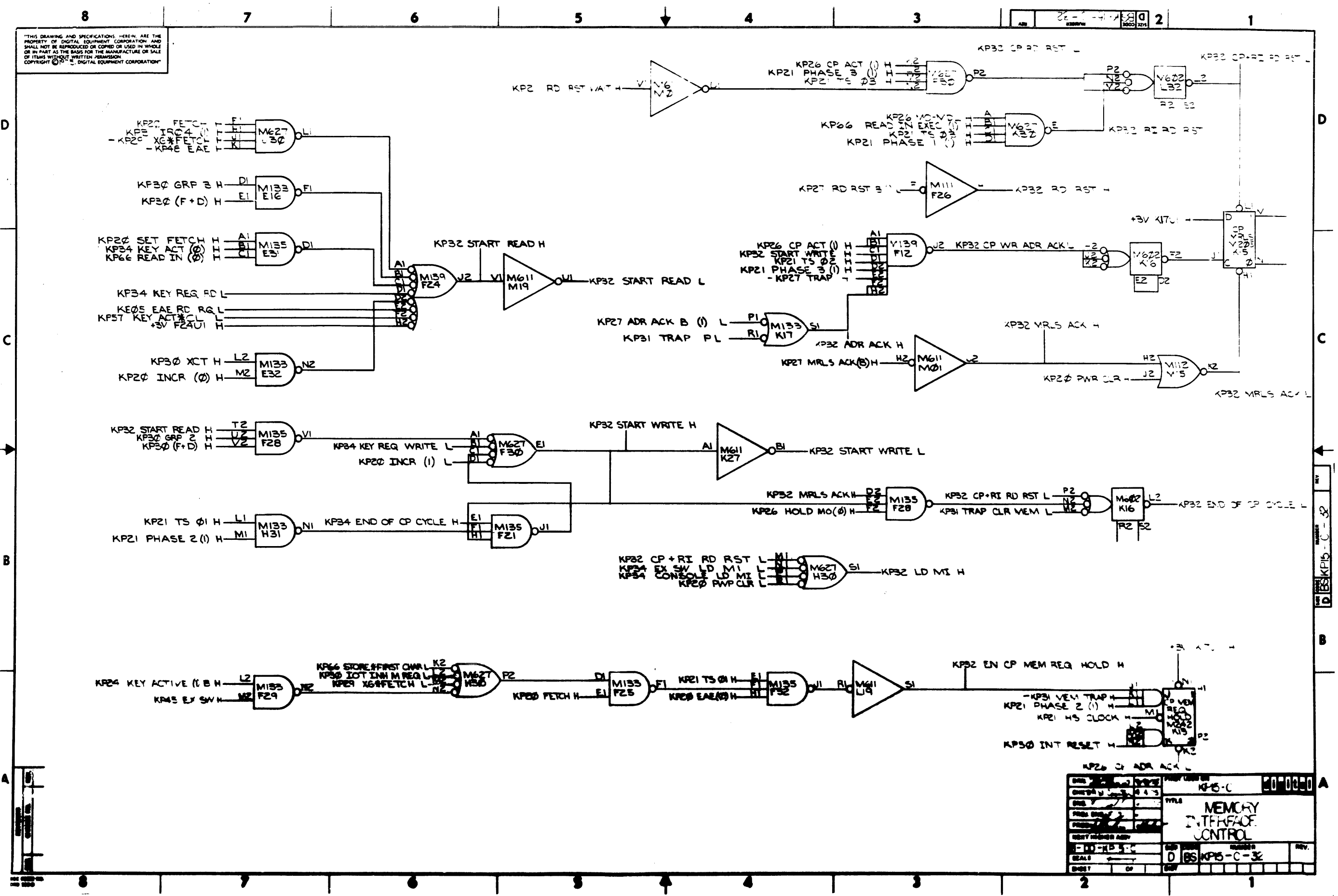


REV.	CHANGE NO.	DATE	BY	CHK'D
1	1	10/1/75	J. P. ...	J. P. ...
2	1	11/17/75	J. P. ...	J. P. ...

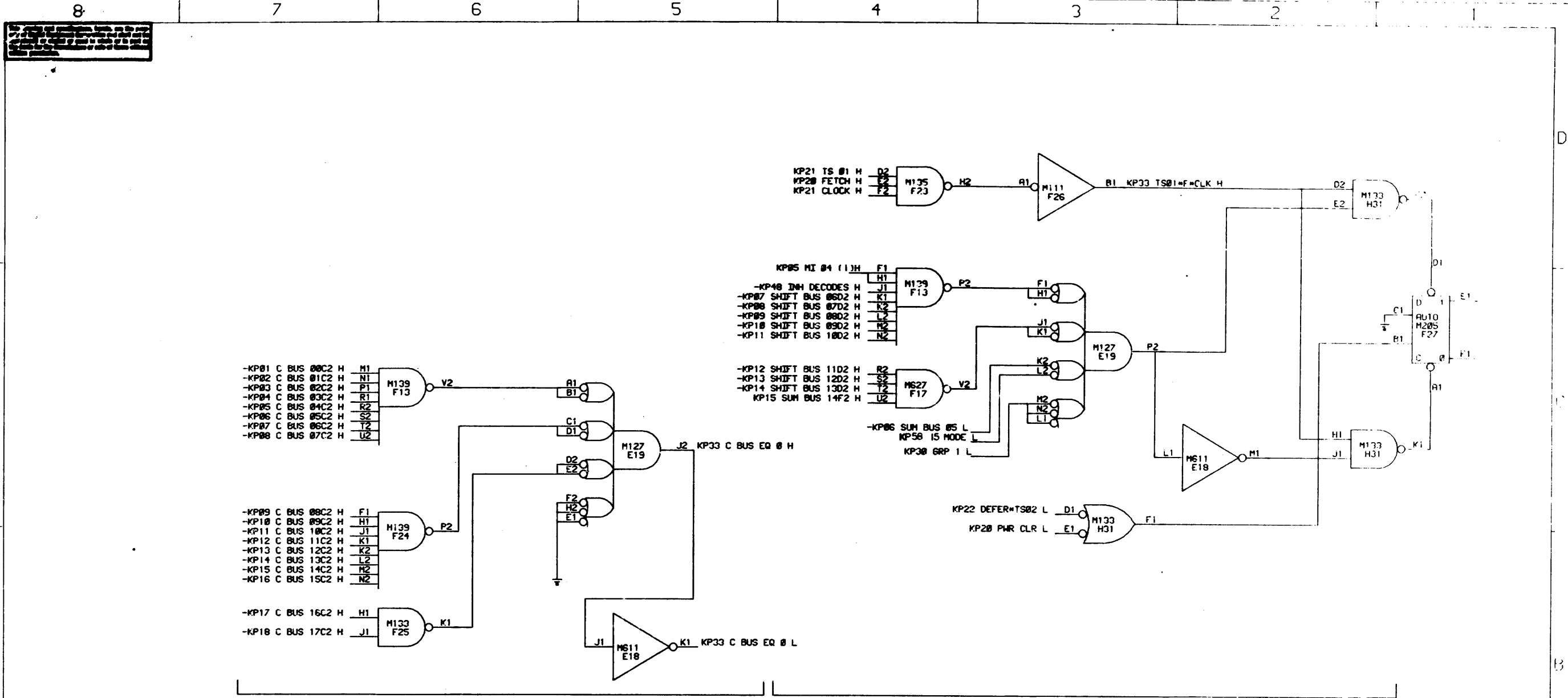
DRN: <i>[Signature]</i>	FIRST USED ON	digital
CHK'D: <i>[Signature]</i>	KPI5-C	
ENG: <i>[Signature]</i>	TITLE	INSTRUCTION REGISTER
PROJ. ENG: <i>[Signature]</i>	SIZE	B-DD-KPI5-C
PRODY: <i>[Signature]</i>	CODE	D BS
NEXT HIGHER ASSY.	NUMBER	KPI5-C-31
SCALE	REV.	A
SHEET 1 OF 1	DIST.	

REV. A
NUMBER
D BS KPI5-C-31
SIZE CODE

THIS DRAWING AND SPECIFICATIONS HEREIN ARE THE PROPERTY OF DIGITAL EQUIPMENT CORPORATION AND SHALL NOT BE REPRODUCED OR COPIED OR USED IN WHOLE OR IN PART AS THE BASIS FOR THE MANUFACTURE OR SALE OF ITEMS WITHOUT WRITTEN PERMISSION. COPYRIGHT © 1966, DIGITAL EQUIPMENT CORPORATION



DATE		REV.	
05/11/68	1		
DRAWN BY		CHECKED BY	
G. S. K. P. 15		G. S. K. P. 15	
DESIGNED BY		APPROVED BY	
G. S. K. P. 15		G. S. K. P. 15	
MEMORY INTERFACE CONTROL			
PART NUMBER		REV.	
00-1035-C		1	
DATE		REV.	
05/11/68	1		



LOGIC TESTS C BUS FOR ALL ZEROS
USED FOR OPERATE SKIP TESTS
AND SLD

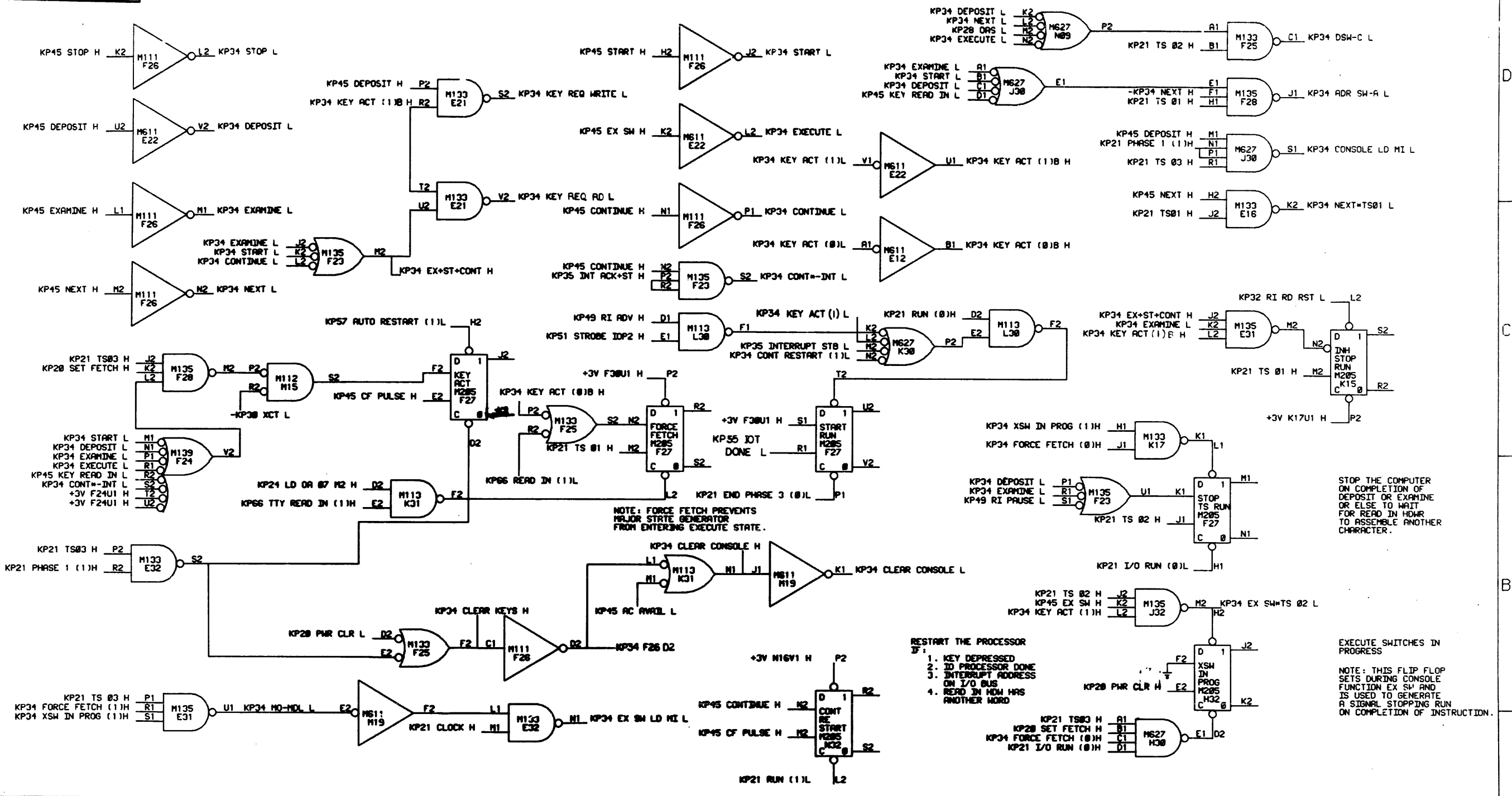
LOGIC EXAMINES ADDRESS OF MEMORY REFERENCE INSTRUCTIONS
IF ADDRESS REFERENCED INDIRECTLY IS BETWEEN 10 AND 17
THEN CONTENTS OF REFERENCED LOCATION IS AUTO INCREMENTED

REVISIONS		REVISIONS	
REV	DESCRIPTION	REV	DESCRIPTION
LM	KP15-00000 C	23	KP15-00002 F
S	GOLDSBY 7-15-70		
F	RUMANN 7-22-70		
GH	KP15-00046 D		
K	WALSH 12/18/70		
F	RUMANN 12/18/70		
MW	KP15-00056 E		

DESIGNED BY	J. FASSHAUER	DATE	10/7/69
CHECKED BY	R. COOK	DATE	10/7/69
DESIGNED BY	F. RUMANN	DATE	10/7/69
CHECKED BY	F. MILLER	DATE	11/29/69
DESIGNED BY	F. LASKEY	DATE	11/29/69
REVISED BY		DATE	
TITLE	DETECT XMODE & CBUS		
PROJECT NO.	KP15	CODE	D BS
REV.	1	OF 1	
DATE		REV.	

EQUIPMENT CORPORATION
SAFFORD, MASSACHUSETTS

This drawing and specifications, herein, are the property of Digital Equipment Corporation and shall not be reproduced or used in whole or in part as a basis for the manufacture or sale of any other machine.



NOTE: FORCE FETCH PREVENTS MAJOR STATE GENERATOR FROM ENTERING EXECUTE STATE.

STOP THE COMPUTER ON COMPLETION OF DEPOSIT OR EXAMINE OR ELSE TO WAIT FOR READ IN HW TO ASSEMBLE ANOTHER CHARACTER.

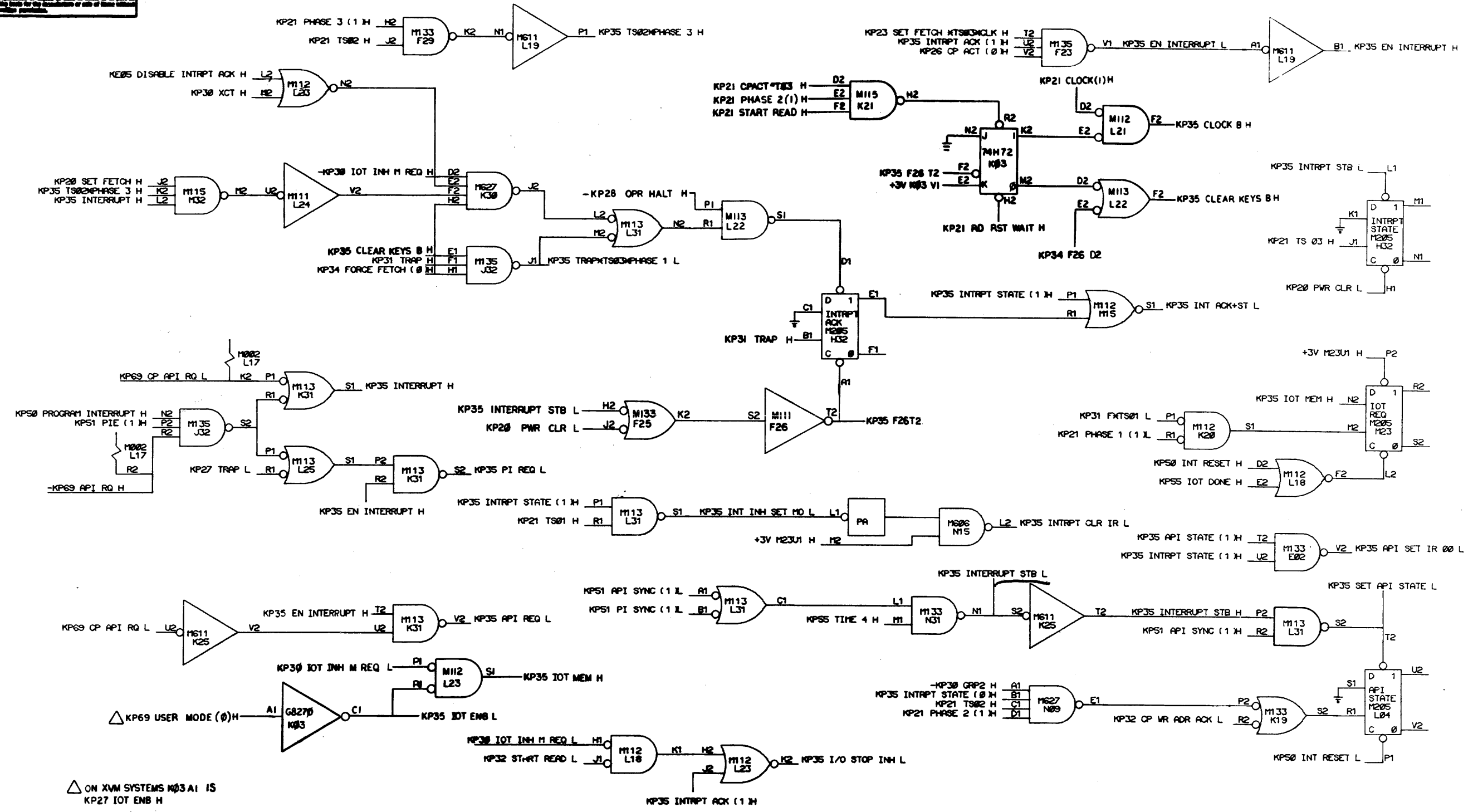
NOTE: THIS FLIP FLOP SETS DURING CONSOLE FUNCTION EX SW AND IS USED TO GENERATE A SIGNAL STOPPING RUN ON COMPLETION OF INSTRUCTION.

RESTART THE PROCESSOR IF:
 1. KEY DEPRESSED
 2. ID PROCESSOR DONE
 3. INTERRUPT ADDRESS ON I/O BUS
 4. READ IN HW HAS ANOTHER WORD

REVISIONS		REVISIONS		REVISIONS	
CHK	CHANGE NO.	REV	CHK	CHANGE NO.	REV
LH	KP15-00038	L	KP15-00078	P	KP15-00084
	S GOLDSBY 7/15/70		B. B. B. 7-11-73		7/15/70
	F. BURNHANN 7/15/70		F. DOLL		F. DOLL
GH	KP15-00048	M	F. DOLL 7-11-73		F. DOLL 6-16-74
	N. LEGERE 1/12/71		281 KP15-00082		
	F. BURNHANN 1/12/71		G. V. 9-22-74		
DU	KP15-00056	N	F. DOLL		
	N. C. 1/22/71		F. DOLL 3-4-74		
	G. V. 6/14/71				

EQUIPMENT CORPORATION	
CONSULE INTERFACE	
DATE	REV.
D 86	8
NO. 1	OF 1
REV.	

This drawing and specifications herein are the property of Digital Equipment Corporation and shall not be reproduced, in whole or in part, in any form or by any means, electronic or mechanical, including photocopying and recording, or by any information storage and retrieval system, without the prior written permission of Digital Equipment Corporation.



△ ON XVM SYSTEMS M03 A1 IS KP27 IOT ENB H

REV	DESCRIPTION	DATE	BY	CHKD	REVISIONS	DATE	BY	CHKD	REVISIONS	DATE	BY	CHKD
LH	KP15-00008	11-15-79	GH	GH	KP15-00007	11-15-79	GH	GH	KP15-00007	11-15-79	GH	GH
S	GOLDSBY	7-15-79										
F	ALMANN	7-22-79										
GH	KP15-00046		GH	GH	KP15-00046		GH	GH	KP15-00046		GH	GH
K	WALSH	12/11/79										
F	ALMANN	12/11/79										
GH	KP15-00048		N	GH	KP15-00048		N	GH	KP15-00048		N	GH
N	LEGRE	1/12/77										
F	ALMANN	1/12/77										
GH	KP15-00053		P	GH	KP15-00053		P	GH	KP15-00053		P	GH
S	GOLDSBY	3/1/77										
F	ALMANN	3/2/77										

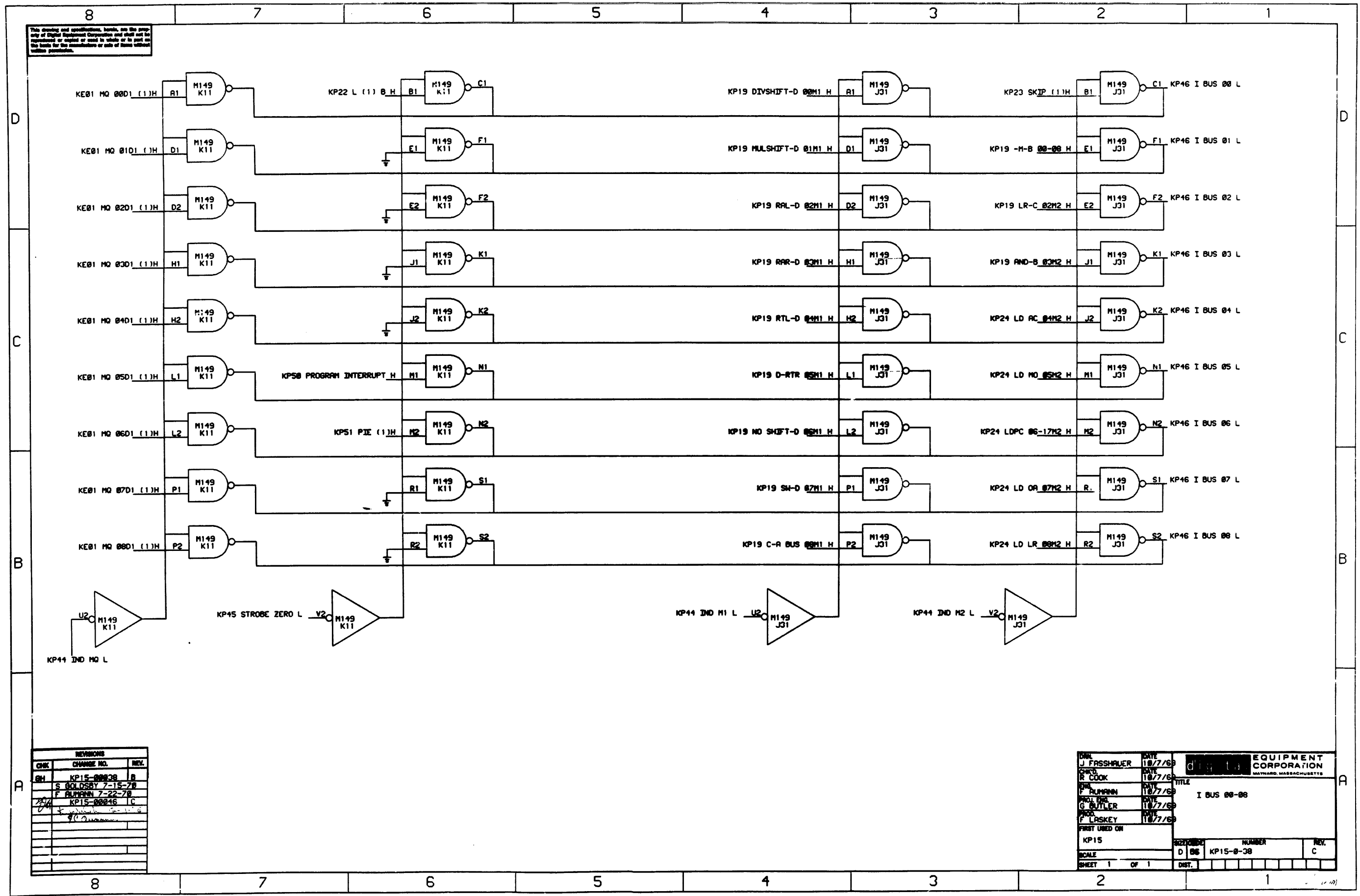
S	GOLDSBY	11-15-79	GH	GH	KP15-00035	11-15-79	GH	GH	KP15-00035	11-15-79	GH	GH
L	HODS	11-15-79										
F	ALMANN	11-27-79										
G	WILDER	11-27-79										
F	LASKY	11-27-79										
F	LASKY	11-27-79										

EQUIPMENT CORPORATION
MAYFIELD, MASSACHUSETTS

INTERRUPT CONTROL LOGIC

REV	DATE	BY	CHKD	REVISIONS
D	BS			KP15-0-35
1	OF 1			

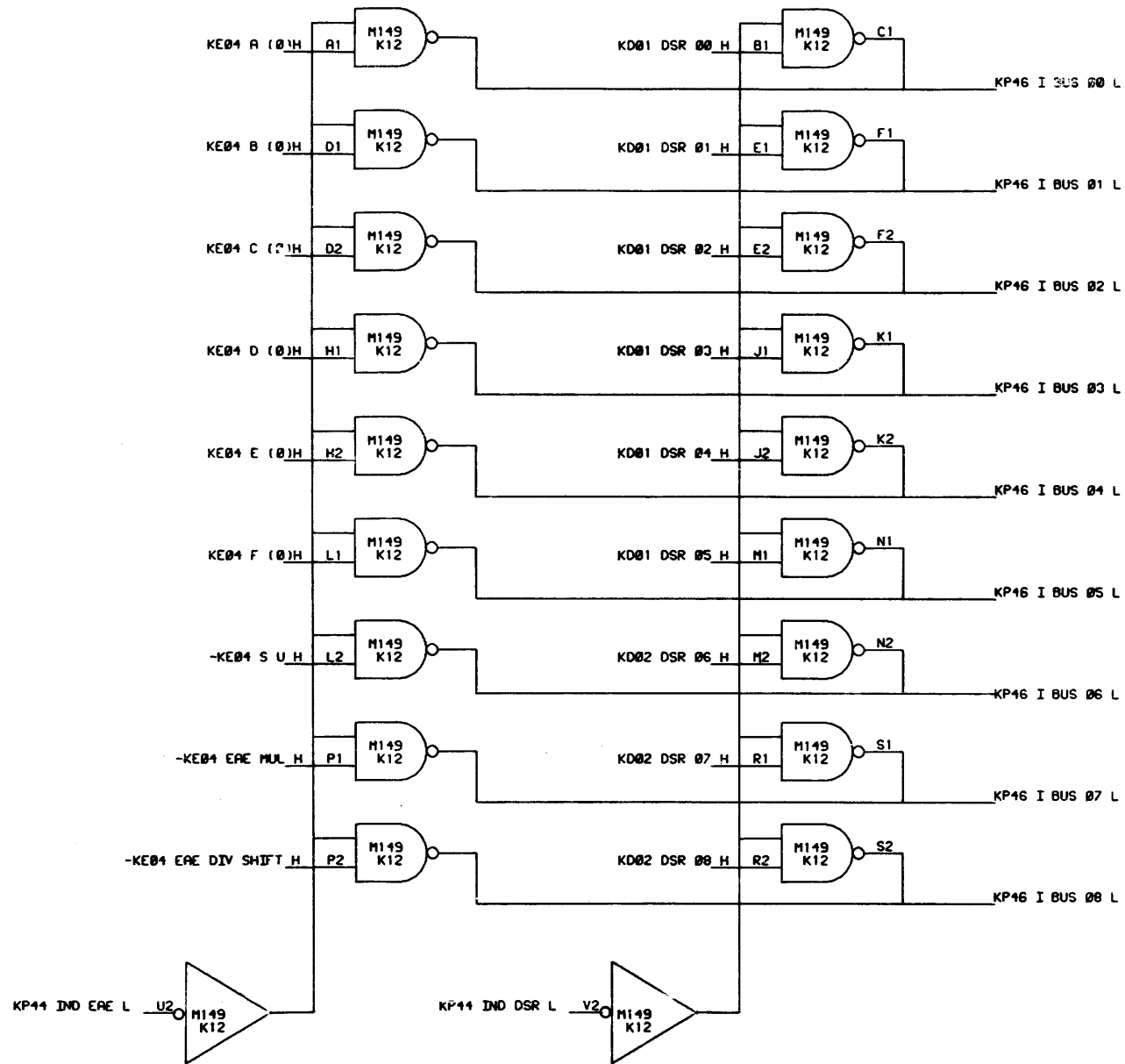
This drawing and specifications, herein, are the property of Digital Equipment Corporation and shall not be reproduced or copied or used in whole or in part in any form for the manufacture or sale of items without written permission.



REVISIONS		
CHK	CHANGE NO.	REV.
GH	KP15-00038 B	
	S GOLDSBY 7-15-78	
	F RUMANN 7-22-78	
	KP15-00016 C	

DRW	J FRASCHNER	DATE	10/7/69	 EQUIPMENT CORPORATION MAYNARD, MASSACHUSETTS
CHKD	R COOK	DATE	10/7/69	
ENGR	F RUMANN	DATE	10/7/69	
PROJ. ENGR	G BUTLER	DATE	10/7/69	
PROJ. MGR	F LASKEY	DATE	10/7/69	
FIRST USED ON				TITLE
KP15				I BUS 00-08
SCALE	D 08	NUMBER	KP15-0-38	REV.
SHEET 1	OF 1	DIST.		C

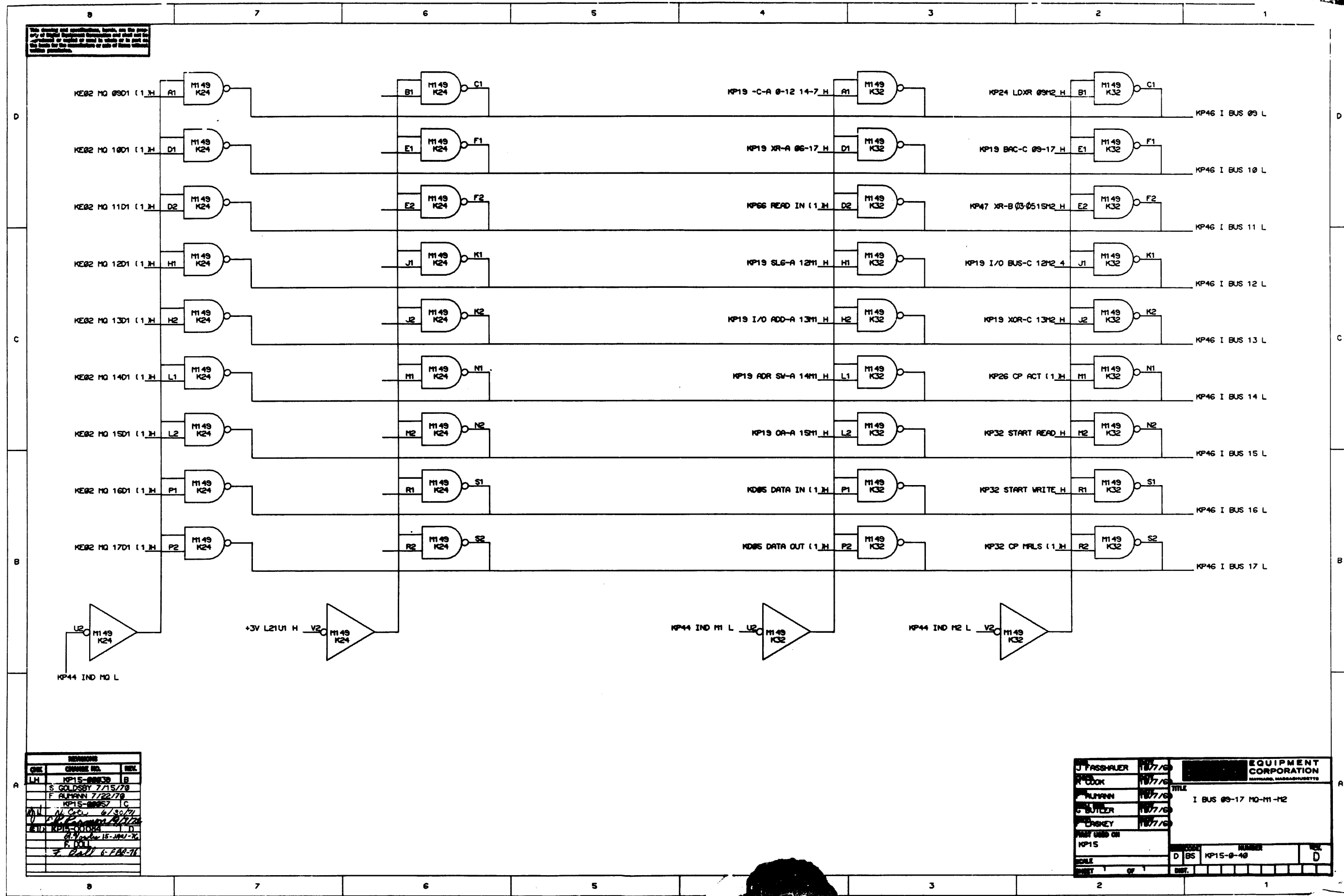
Use of this and associated items, for the purpose of equipment operation and shall not be construed as a warranty or endorsement of its quality or its use for the maintenance or safety of those without the manufacturer's instructions.



REVISIONS		
REV.	CHANGE NO.	REL.
1	KP15-00035	1
2	of G. Sumner 2 Nov 22	

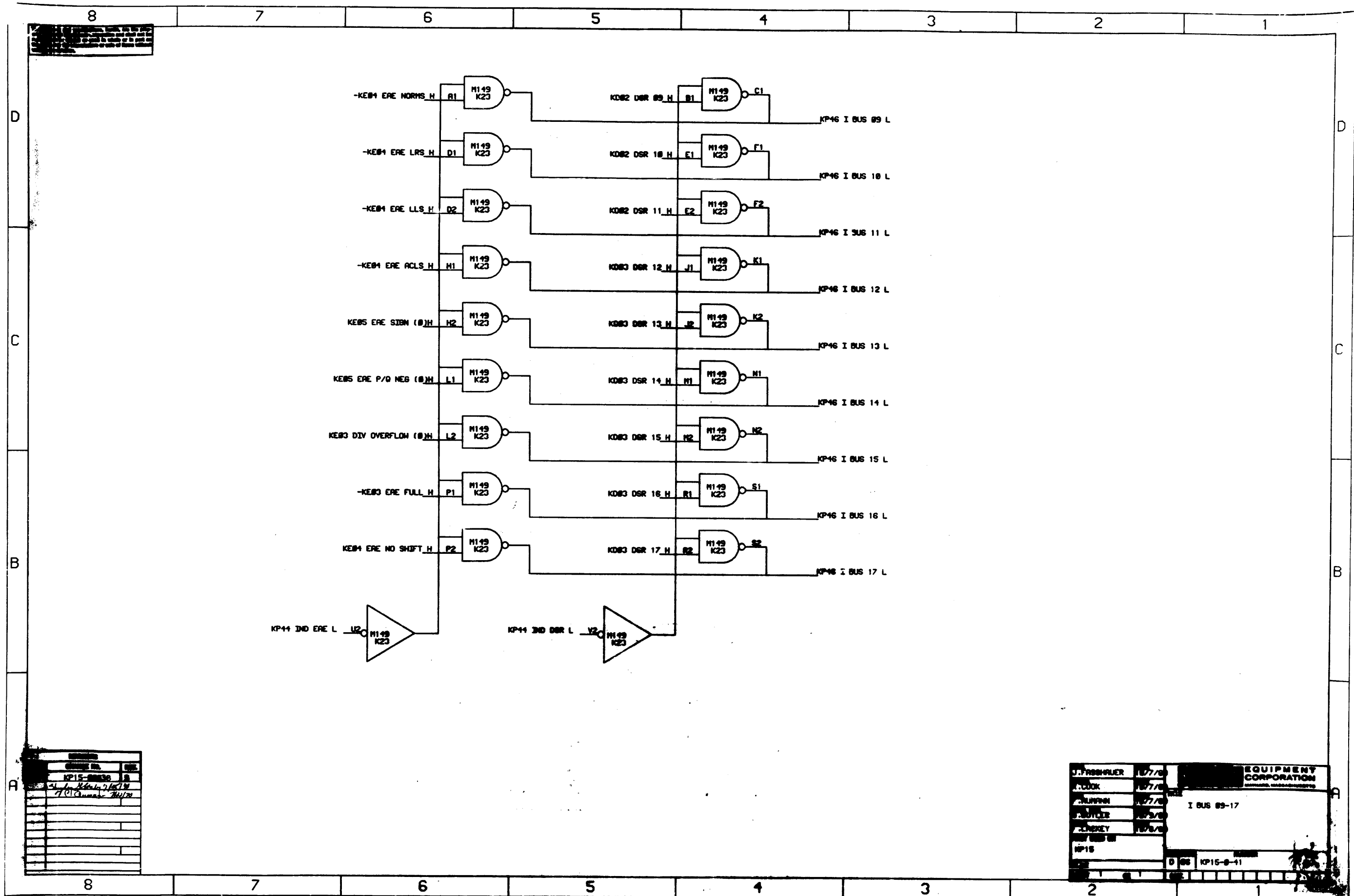
DATE		EQUIPMENT CORPORATION MAYFIELD, MASSACHUSETTS	
2/1/70	2/1/70	TITLE	
2/1/70	2/1/70	I BUS 00-08	
2/1/70	2/1/70	DRAWN BY	
2/1/70	2/1/70	E. AUMANN	
2/1/70	2/1/70	E. LASKEY	
FIRST USED ON		SCALE	REV.
KP15		D 05	A
NUMBER		REV.	
KP15-0-39		A	
OF	OF	OF	
2	2	1	

This drawing and specifications, herein, are the property of Equipment Corporation and shall not be reproduced, copied, or used in whole or in part for any other project without the written consent of Equipment Corporation.



REVISIONS		
CHK	CHANGE NO.	REV.
LH	KP15-00039	B
	S. GOLDSBY 7/15/70	
	F. ALMANN 7/22/70	
	KP15-00057	C
	N. COOK 4/30/71	
	C. BUTLER 4/30/71	
	F. CHESNEY 4/30/71	
	8/1/71	
	15-JAN-76	
	F. DILLI	
	3. Rev 1 6-FEB-71	

J. FASHAUER	10/7/69	EQUIPMENT CORPORATION MAYFIELD, MASSACHUSETTS
N. COOK	10/7/69	
F. ALMANN	10/7/69	
C. BUTLER	10/7/69	
F. CHESNEY	10/7/69	
PART USED ON		TITLE
KP15		I BUS 09-17 MO-M1-M2
SCALE	D BS	NUMBER
1		KP15-0-40
SHEET 1 OF 1		REV. D

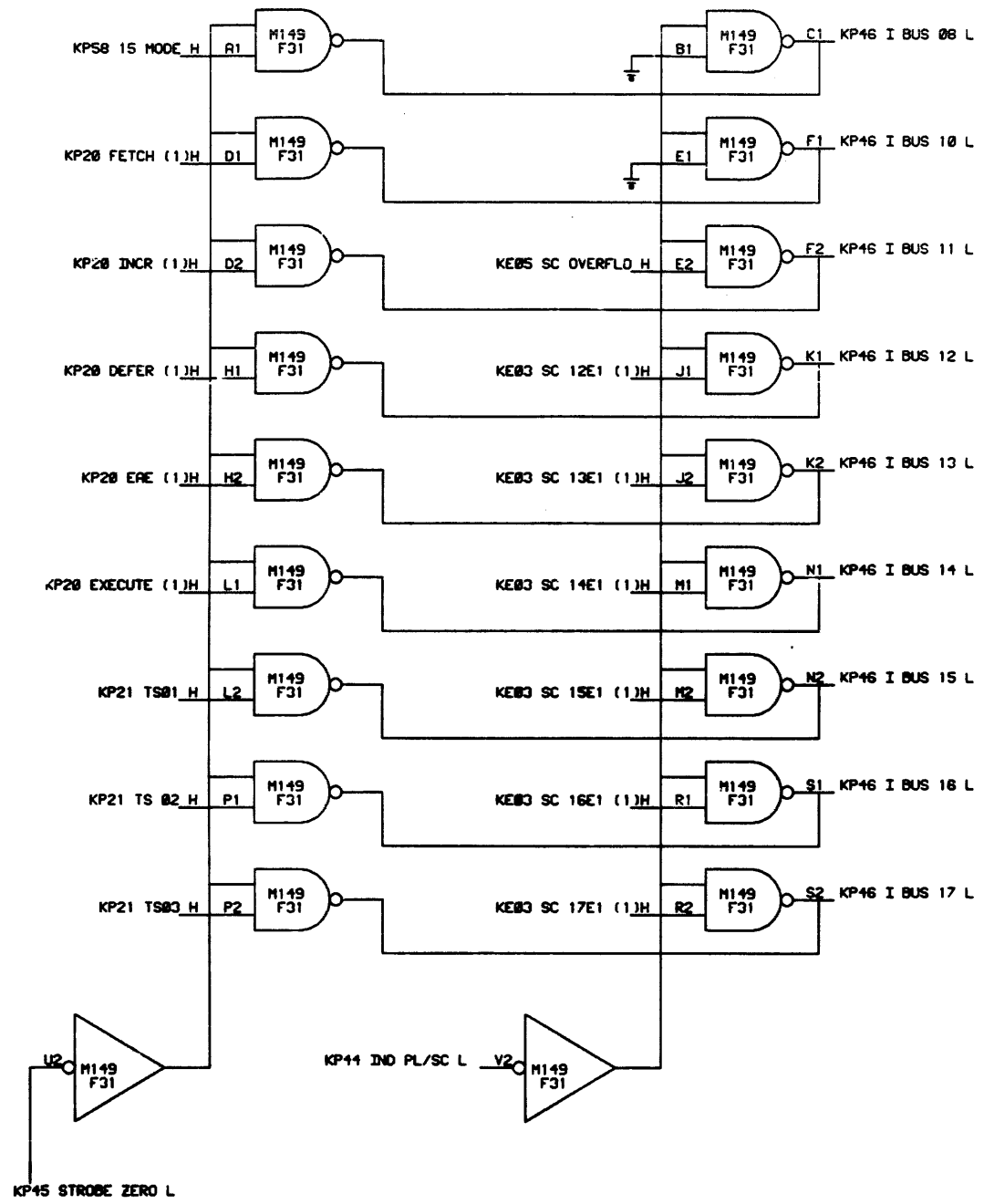


REV	DATE	BY	CHKD
1			
2			
3			
4			
5			
6			
7			
8			

NAME	DATE	REV
J. FROHLER	10/7/68	
A. COOK	10/7/68	
M. W. WANN	10/7/68	
J. BUTLER	10/9/68	
P. LINNEY	10/9/68	
REV		
1		
2		
3		
4		
5		
6		
7		
8		

EQUIPMENT CORPORATION
I BUS 09-17
D 08 KP15-0-11

For details and specifications, consult the appropriate data sheets for the components used in this circuit. The circuit is shown for information only and is not intended for use in any other circuit without the approval of the manufacturer.

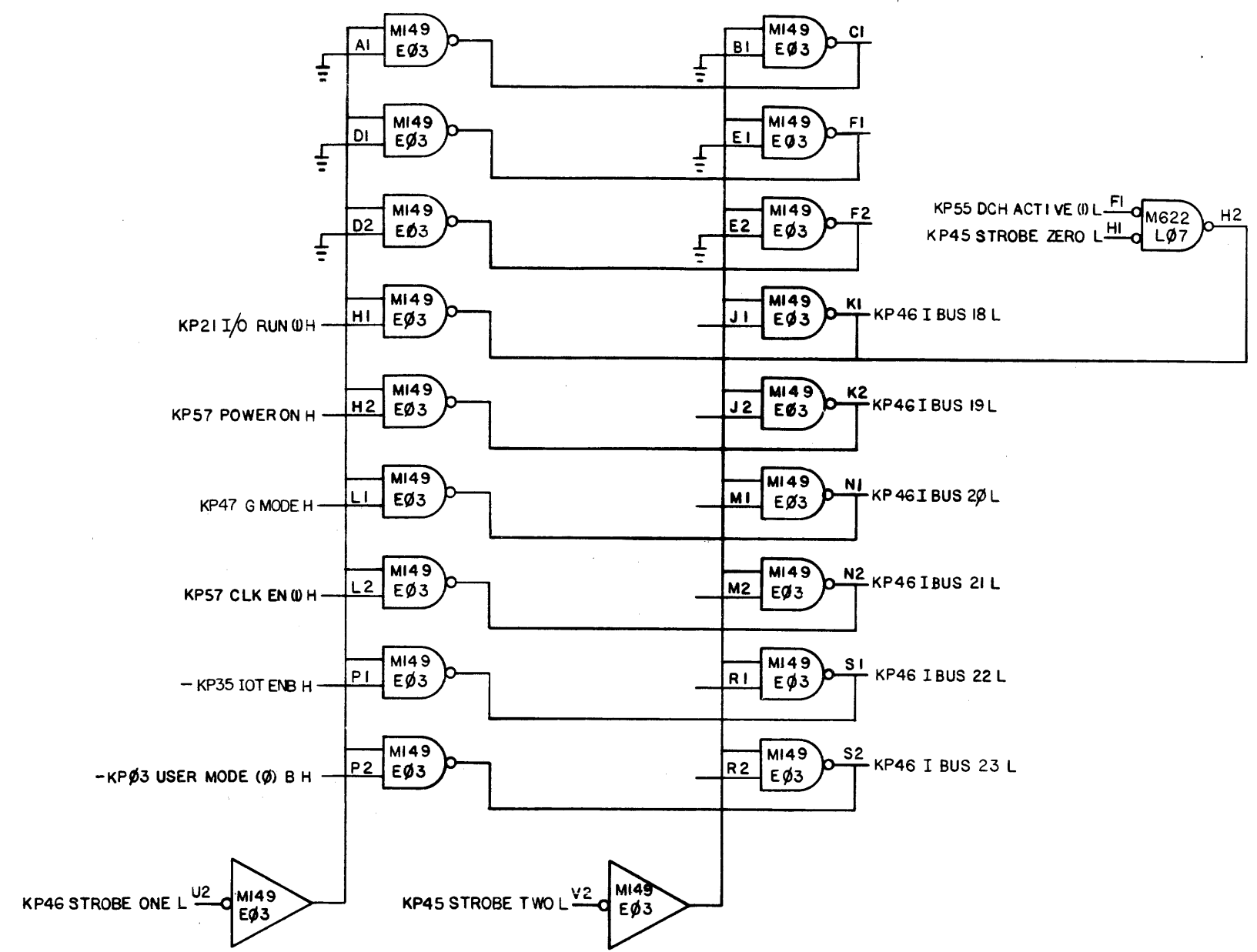


REV.	DESCRIPTION	DATE
1	KP15-8-12	11/9/70
2	See Addendum 11/9/70	11/9/70
3	See Addendum 7/11/70	7/11/70

J. FRISCHAUER		EQUIPMENT CORPORATION	
K. COOK	10/77/69	TITLE	
P. RUMANN	10/77/69	I BUS 08 10-17 SC	
G. BOTLER	10/79/69		
P. CRISKEY	10/78/69		
REVISED ON		7	
KP15			
DATE	BY	NUMBER	REV.
D 05		KP15-8-12	8

"THIS DRAWING AND SPECIFICATIONS HEREIN ARE THE PROPERTY OF DIGITAL EQUIPMENT CORPORATION AND SHALL NOT BE REPRODUCED OR COPIED OR USED IN WHOLE OR IN PART AS THE BASIS FOR THE MANUFACTURE OR SALE OF ITEMS WITHOUT WRITTEN PERMISSION. COPYRIGHT © 1975, DIGITAL EQUIPMENT CORPORATION"

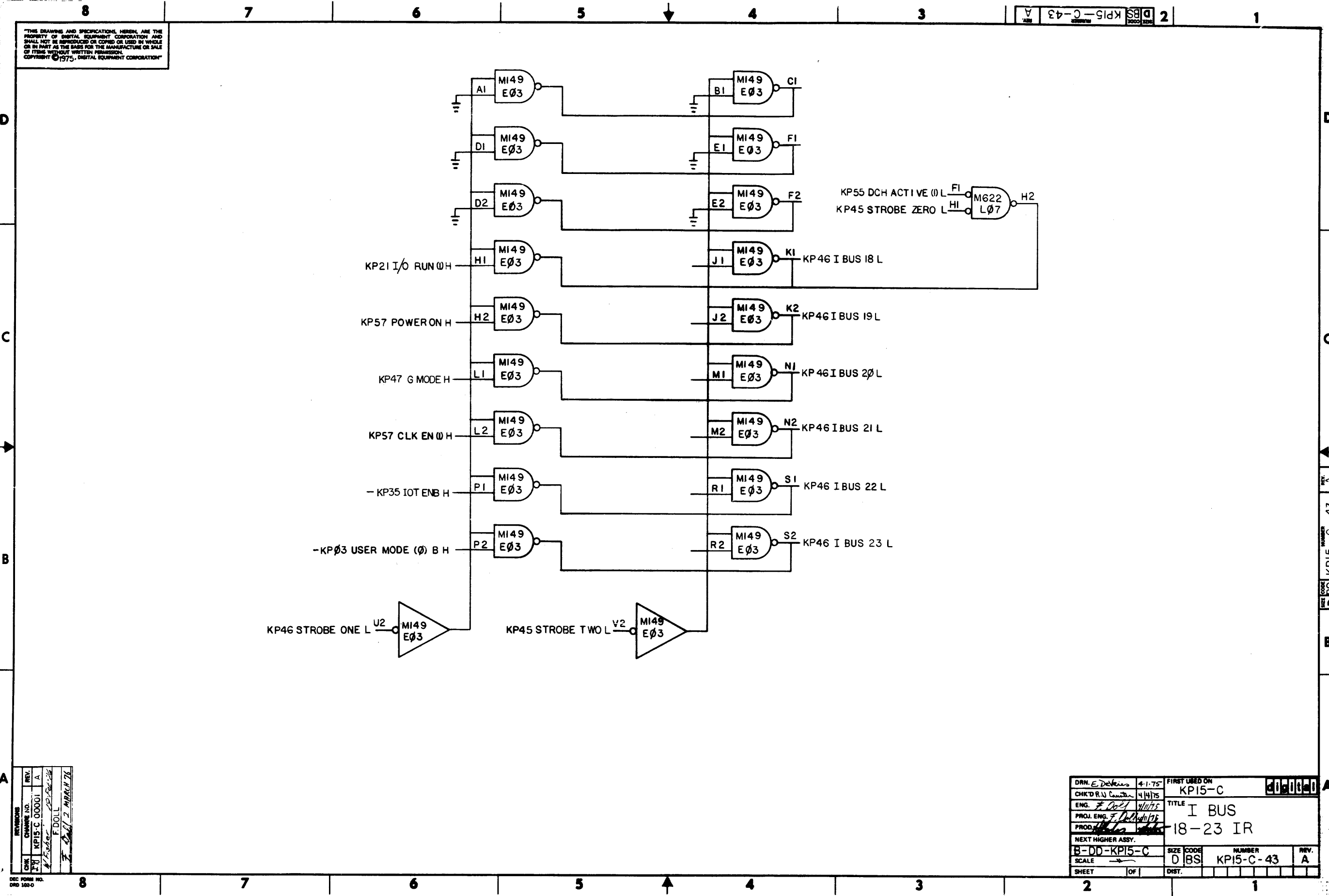
REV. A
D BS KPI5-C-43
2

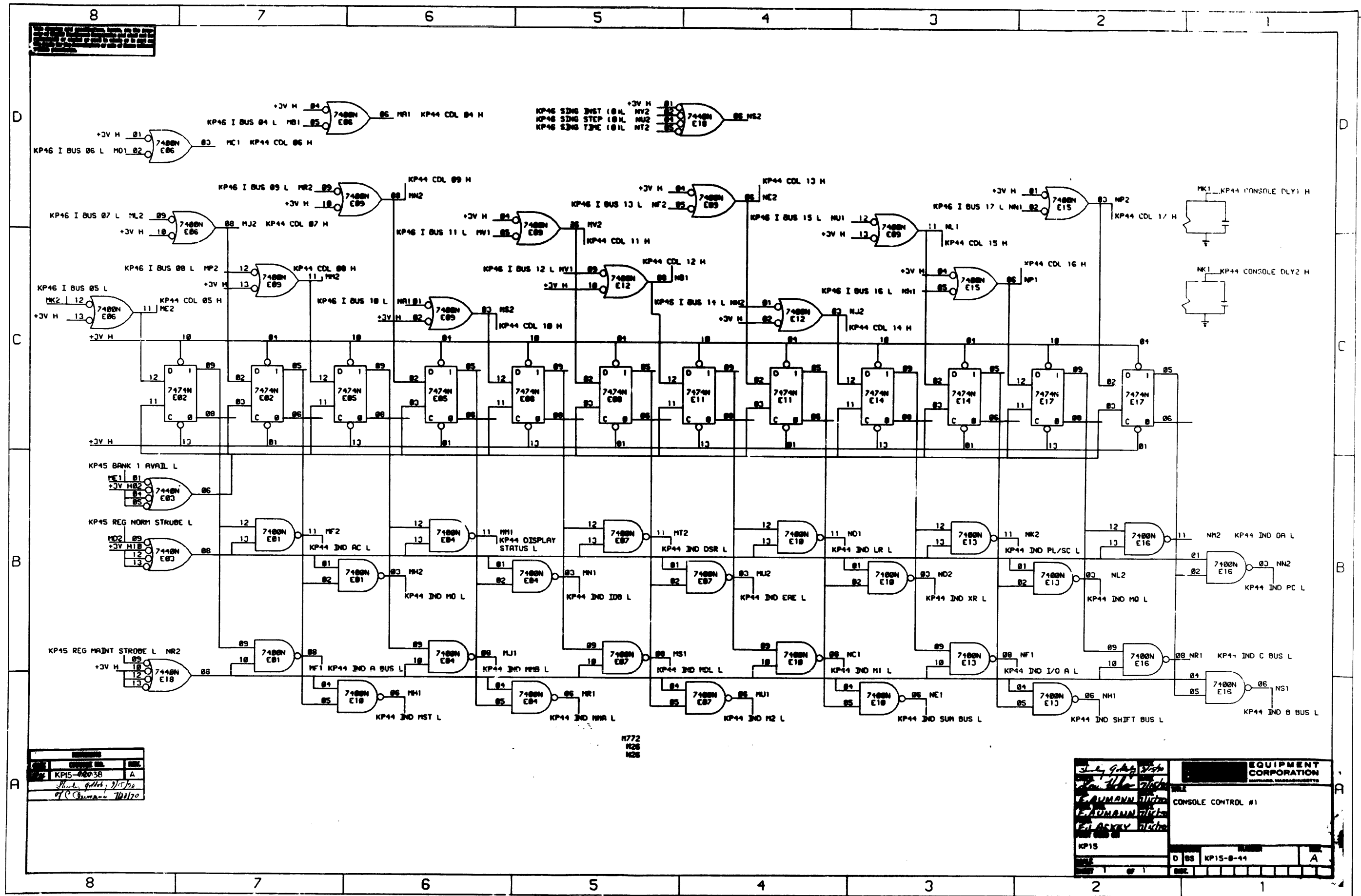


REV. A	DATE	BY
1	12/11/75	F. DOLL
2	12/11/75	F. DOLL
3	12/11/75	F. DOLL
4	12/11/75	F. DOLL
5	12/11/75	F. DOLL
6	12/11/75	F. DOLL
7	12/11/75	F. DOLL
8	12/11/75	F. DOLL

DRN. E. DeWitt	4-1-75	FIRST USED ON	KPI5-C
CHK'D R. W. Conner	4/14/75	TITLE	I BUS
ENG. F. DOLL	4/14/75		18-23 IR
PROJ. ENG. F. DOLL			
NEXT HIGHER ASSY.			
B-DD-KPI5-C	SIZE CODE	NUMBER	REV.
SCALE	D BS	KPI5-C-43	A
SHEET	OF	DIST.	

REV. A
D BS KPI5-C-43

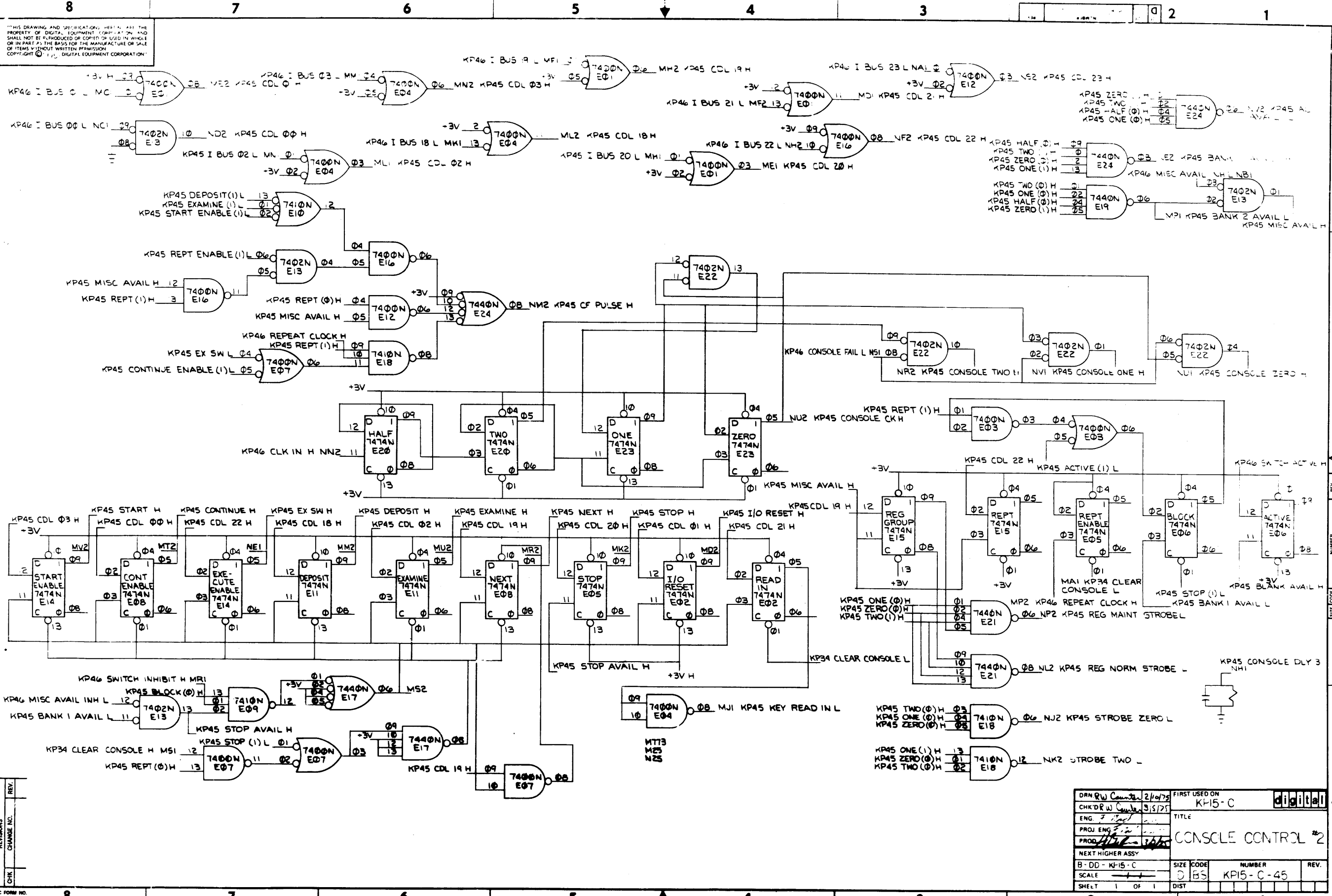




REV.	DESCRIPTION	DATE
1	KP15-42038	A
2	Rev. 9/15/52	
3	W.C. Beerman 7/11/70	

EQUIPMENT CORPORATION ROSLINDALE, MASSACHUSETTS	
CONSULE CONTROL #1	
REV. 1	REV. 2
REV. 3	REV. 4
REV. 5	REV. 6
REV. 7	REV. 8
REV. 9	REV. 10
REV. 11	REV. 12
REV. 13	REV. 14
REV. 15	REV. 16
REV. 17	REV. 18
REV. 19	REV. 20
REV. 21	REV. 22
REV. 23	REV. 24
REV. 25	REV. 26
REV. 27	REV. 28
REV. 29	REV. 30
REV. 31	REV. 32
REV. 33	REV. 34
REV. 35	REV. 36
REV. 37	REV. 38
REV. 39	REV. 40
REV. 41	REV. 42
REV. 43	REV. 44
REV. 45	REV. 46
REV. 47	REV. 48
REV. 49	REV. 50
REV. 51	REV. 52
REV. 53	REV. 54
REV. 55	REV. 56
REV. 57	REV. 58
REV. 59	REV. 60
REV. 61	REV. 62
REV. 63	REV. 64
REV. 65	REV. 66
REV. 67	REV. 68
REV. 69	REV. 70
REV. 71	REV. 72
REV. 73	REV. 74
REV. 75	REV. 76
REV. 77	REV. 78
REV. 79	REV. 80
REV. 81	REV. 82
REV. 83	REV. 84
REV. 85	REV. 86
REV. 87	REV. 88
REV. 89	REV. 90
REV. 91	REV. 92
REV. 93	REV. 94
REV. 95	REV. 96
REV. 97	REV. 98
REV. 99	REV. 100

1772
128
128



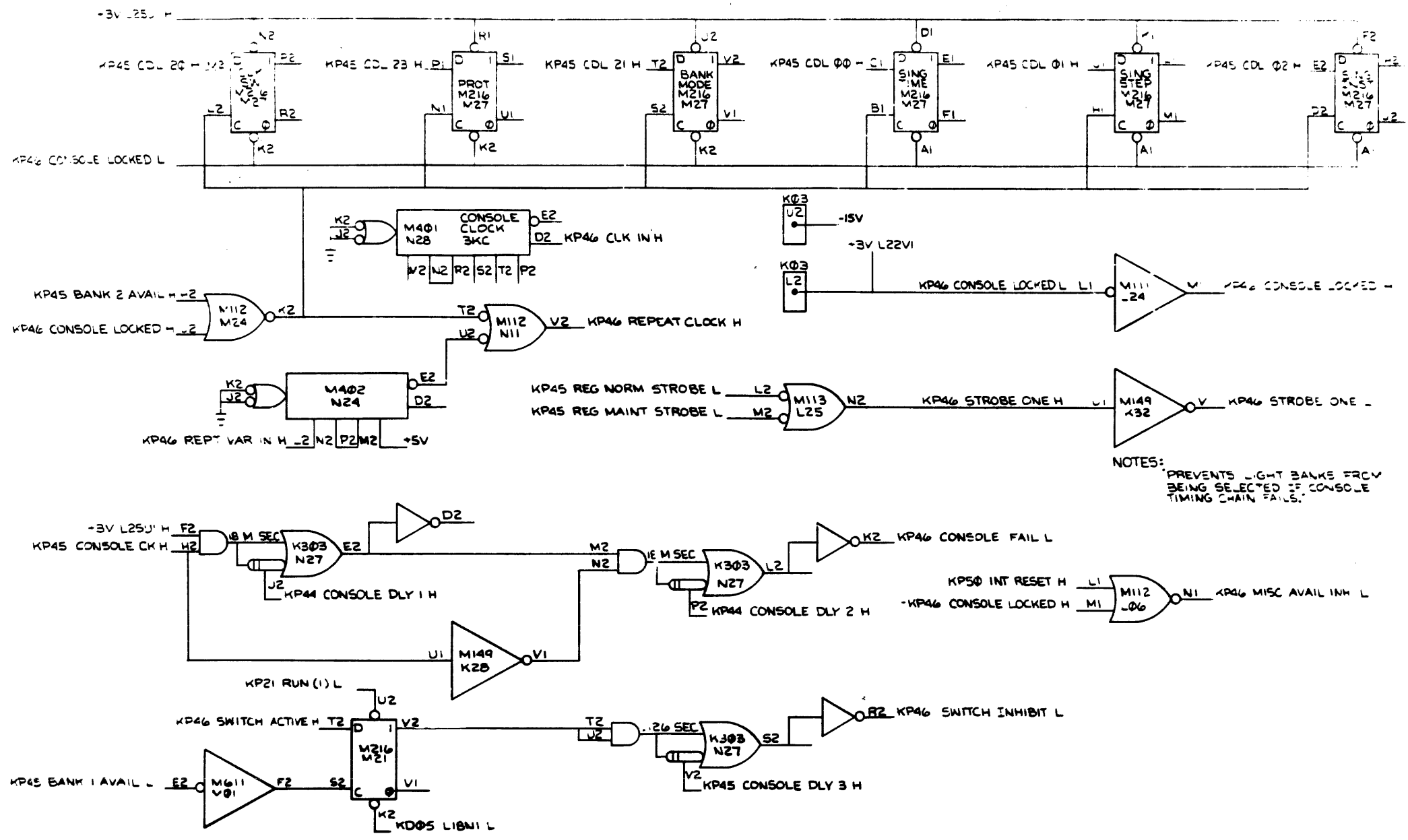
THIS DRAWING AND SPECIFICATIONS HEREAFTER ARE THE PROPERTY OF DIGITAL EQUIPMENT CORPORATION AND SHALL NOT BE REPRODUCED OR COPIED OR USED IN WHOLE OR IN PART AS THE BASIS FOR THE MANUFACTURE OR SALE OF ITEMS WITHOUT WRITTEN PERMISSION. COPYRIGHT © 1971, DIGITAL EQUIPMENT CORPORATION.

DRN R/W	2/10/75	FIRST USED ON	KH15-C	DIGITAL
CHK'D R/W	3/5/75	TITLE	CONSOLE CONTROL #2	
ENG.		SCALE	1 OF 1	REV.
PROJ. ENG.		SIZE CODE	D BS	NUMBER
PROD.		SHEET	1	KP15-C-45
NEXT HIGHER ASSY		DIST		
B-DD - KH15-C				

REV. NUMBER: KP15-C-45

REV. CHANGE NO. SHEET 1 OF 1

THIS DRAWING AND SPECIFICATIONS HEREIN ARE THE PROPERTY OF DIGITAL EQUIPMENT CORPORATION AND SHALL NOT BE REPRODUCED OR COPIED IN WHOLE OR IN PART AS THE BASIS FOR THE MANUFACTURE OR SALE OF ITEMS WITHOUT WRITTEN PERMISSION. COPYRIGHT © 1970 DIGITAL EQUIPMENT CORPORATION



Notes:

PREVENTS LIGHT BANKS FROM BEING SELECTED IF CONSOLE TIMING CHAIN FAILS.

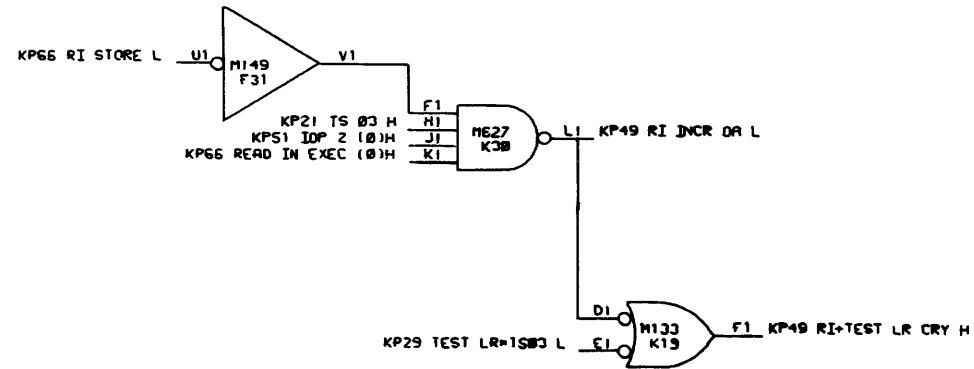
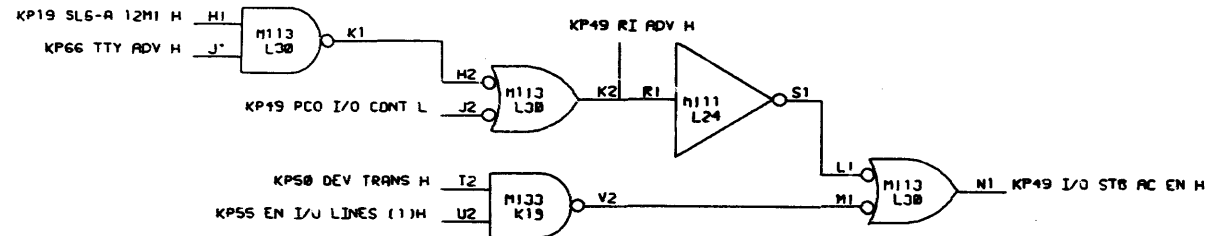
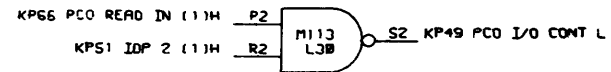
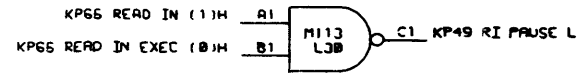
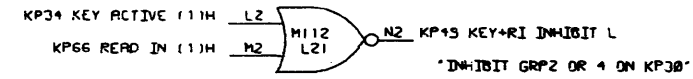
1	7246	I	BUS 5
2	7246	I	BUS 6
3	7246	I	BUS 20
4	7246	I	BUS 21
5	7246	I	BUS 22
6	7246	I	BUS 23
7	7246	I	BUS 24
8	7246	I	BUS 25
9	7246	I	BUS 26
10	7246	I	BUS 27
11	7246	I	BUS 28
12	7246	I	BUS 29
13	7246	I	BUS 30
14	7246	I	BUS 31
15	7246	I	BUS 32
16	7246	I	BUS 33
17	7246	I	BUS 34
18	7246	I	BUS 35
19	7246	I	BUS 36
20	7246	I	BUS 37
21	7246	I	BUS 38
22	7246	I	BUS 39

1	7246	I	BUS 8
2	7246	I	BUS 9
3	7246	I	BUS 10
4	7246	I	BUS 11
5	7246	I	BUS 12
6	7246	I	BUS 13
7	7246	I	BUS 14
8	7246	I	BUS 15
9	7246	I	BUS 16
10	7246	I	BUS 17
11	7246	I	BUS 18
12	7246	I	BUS 19
13	7246	I	BUS 20
14	7246	I	BUS 21
15	7246	I	BUS 22
16	7246	I	BUS 23
17	7246	I	BUS 24
18	7246	I	BUS 25
19	7246	I	BUS 26
20	7246	I	BUS 27
21	7246	I	BUS 28
22	7246	I	BUS 29

NOTES:
PREVENTS LIGHT BANKS FROM BEING SELECTED IF CONSOLE TIMING CHAIN FAILS.

DRW BY	W.C. 41	FIRST USED ON	KP15-C
CHK'D BY	W.C. 41	TITLE	MISC CONSOLE LOGIC
ENG			
PROJ ENG			
PROD			
NEXT HIGHER ASBY			
FILE NO	KP15-C	REV	
SCALE	D	BS	KP15-C-46
SHEET	1	OF	1

This drawing and specifications herein are the property of Equipment Corporation and shall not be reproduced or copied in whole or in part for any other purpose without the written permission of Equipment Corporation. 1973



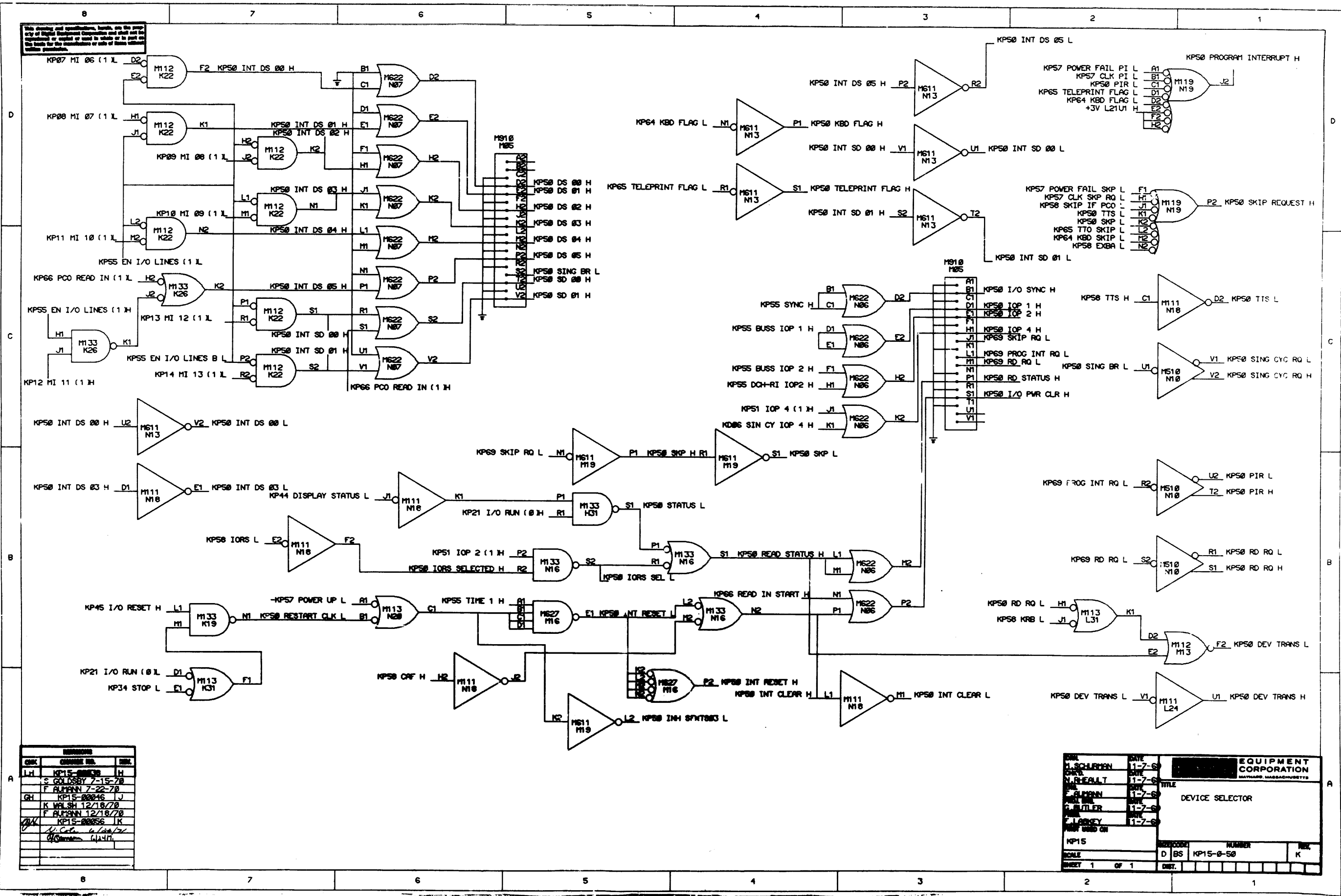
DATE	CONTRACT NO.	REV.
11-7-69	KP15-00000	D
11-7-69		E
11-7-69		F
11-7-69		G
11-7-69		H
11-7-69		I
11-7-69		J
11-7-69		K
11-7-69		L
11-7-69		M
11-7-69		N
11-7-69		O
11-7-69		P
11-7-69		Q
11-7-69		R
11-7-69		S
11-7-69		T
11-7-69		U
11-7-69		V
11-7-69		W
11-7-69		X
11-7-69		Y
11-7-69		Z

DATE	REV.	DESCRIPTION
11-7-69	D	
11-7-69	E	
11-7-69	F	
11-7-69	G	
11-7-69	H	
11-7-69	I	
11-7-69	J	
11-7-69	K	
11-7-69	L	
11-7-69	M	
11-7-69	N	
11-7-69	O	
11-7-69	P	
11-7-69	Q	
11-7-69	R	
11-7-69	S	
11-7-69	T	
11-7-69	U	
11-7-69	V	
11-7-69	W	
11-7-69	X	
11-7-69	Y	
11-7-69	Z	

DATE	REV.	DESCRIPTION
11-7-69	D	
11-7-69	E	
11-7-69	F	
11-7-69	G	
11-7-69	H	
11-7-69	I	
11-7-69	J	
11-7-69	K	
11-7-69	L	
11-7-69	M	
11-7-69	N	
11-7-69	O	
11-7-69	P	
11-7-69	Q	
11-7-69	R	
11-7-69	S	
11-7-69	T	
11-7-69	U	
11-7-69	V	
11-7-69	W	
11-7-69	X	
11-7-69	Y	
11-7-69	Z	

DATE	REV.	DESCRIPTION
11-7-69	D	
11-7-69	E	
11-7-69	F	
11-7-69	G	
11-7-69	H	
11-7-69	I	
11-7-69	J	
11-7-69	K	
11-7-69	L	
11-7-69	M	
11-7-69	N	
11-7-69	O	
11-7-69	P	
11-7-69	Q	
11-7-69	R	
11-7-69	S	
11-7-69	T	
11-7-69	U	
11-7-69	V	
11-7-69	W	
11-7-69	X	
11-7-69	Y	
11-7-69	Z	

This drawing and specifications, herein, are the property of Digital Equipment Corporation and shall not be reproduced or copied or used in whole or in part without the written permission of Digital Equipment Corporation.



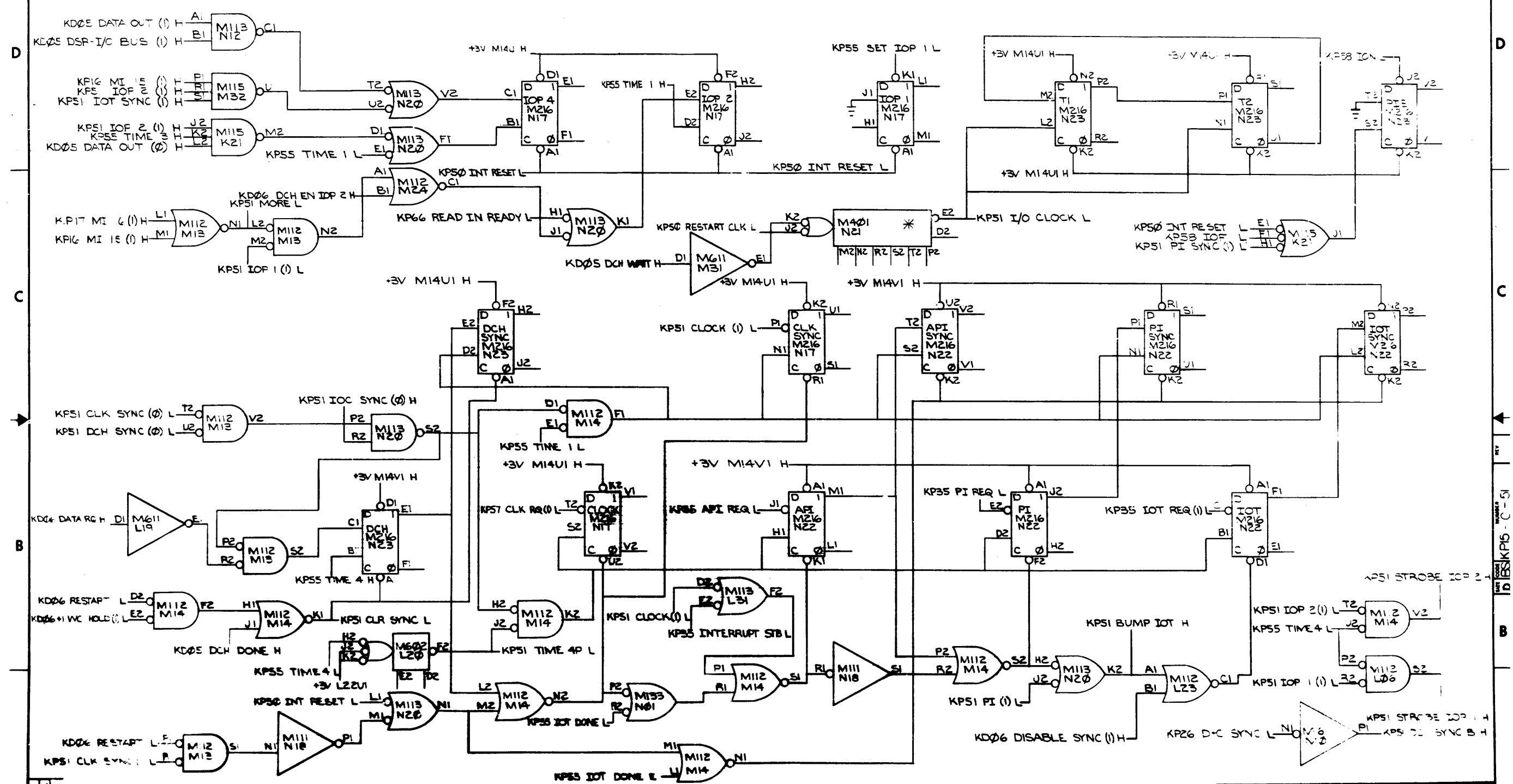
CHK	CHANGE NO.	DATE
LH	15-00030	11-7-70
S	GOLDSBY 7-15-70	
F	ALMANN 7-22-70	
GH	KP15-00046	11-7-70
K	WALSH 12/18/70	
F	ALMANN 12/18/70	
IK	KP15-00056	11-7-70

DATE	BY	TITLE
11-7-70	J. SCHIRMER	DEVICE SELECTOR
11-7-70	N. REEGLT	
11-7-70	F. ALMANN	
11-7-70	G. BUTLER	
11-7-70	F. LANEY	

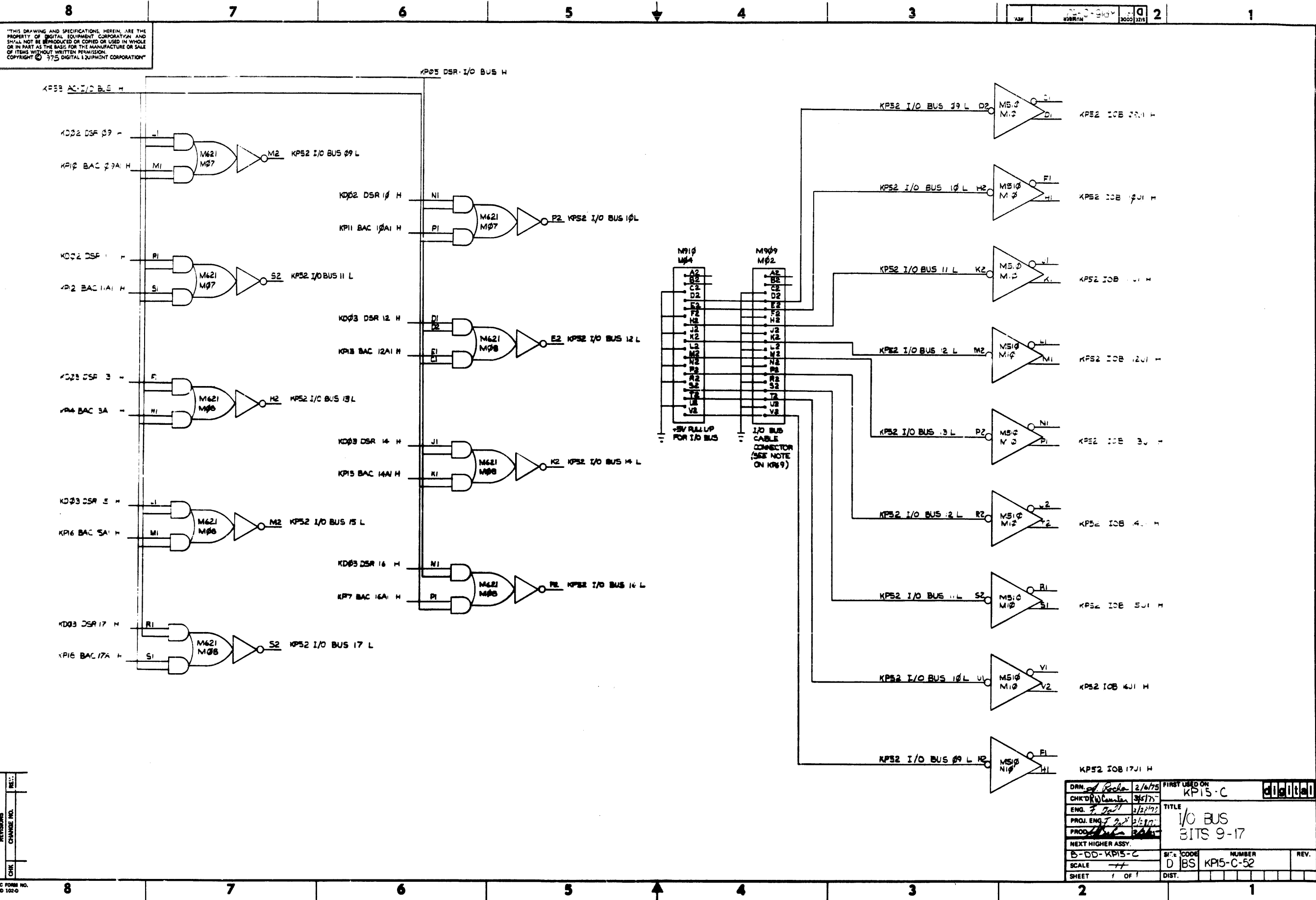
REVISION	NUMBER	REV.
D	BS	K
PART USED ON		
KP15		
SCALE		
D BS KP15-0-50		
SHEET 1 OF 1		

THIS DRAWING AND SPECIFICATIONS, HEREIN, ARE THE PROPERTY OF DIGITAL EQUIPMENT CORPORATION AND SHALL NOT BE REPRODUCED OR COPIED OR USED IN WHOLE OR IN PART AS THE BASIS FOR THE MANUFACTURE OR SALE OF ITEMS WITHOUT WRITTEN PERMISSION. COPYRIGHT © 1975, DIGITAL EQUIPMENT CORPORATION

9-0-81488 2



DRW	CHK'D	ENG	PROJ	PROD	NEXT HIGHER ARBY	DATE	REV	FIRST USED ON	NUMBER	REV.
								KP15-C	D BS	KP15-C-51
TITLE						I/O CONTROL SYNC				
SCALE						DIST				



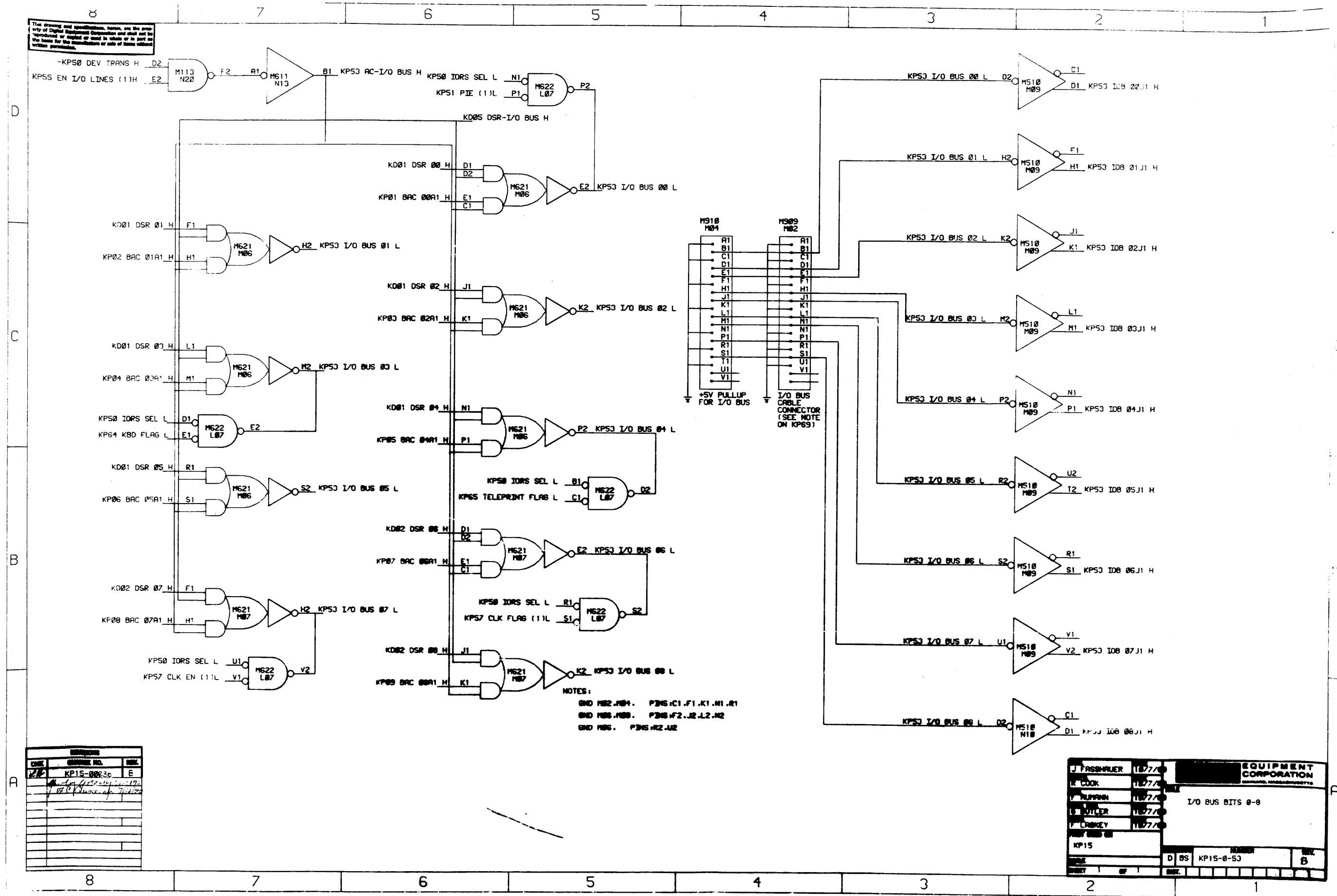
THIS DRAWING AND SPECIFICATIONS HEREIN ARE THE PROPERTY OF DIGITAL EQUIPMENT CORPORATION AND SHALL NOT BE REPRODUCED OR COPIED OR USED IN WHOLE OR IN PART AS THE BASIS FOR THE MANUFACTURE OR SALE OF ITEMS WITHOUT WRITTEN PERMISSION. COPYRIGHT © 1975 DIGITAL EQUIPMENT CORPORATION

DRN. <i>of Rocha</i> 2/1/75	FIRST USED ON	digital
CHK'D BY <i>Compton</i> 3/5/75	KP15-C	
ENG. <i>F. De...</i> 2/22/75	TITLE	
PROJ. ENG. <i>J. De...</i> 2/15/75	I/O BUS	
PROD. <i>...</i> 3/2/75	BITS 9-17	
NEXT HIGHER ASSY.		
B-DD-KP15-C	FILE CODE	NUMBER
SCALE	D BS	KP15-C-52
SHEET 1 OF 1	DIST.	

REV.	
CHANGE NO.	
REVISIONS	
CHK	

REV. 1
D BS KP15-C-52

The drawing and specifications herein are the property of Digital Equipment Corporation and shall not be reproduced or copied or used in whole or in part as the basis for the manufacture or sale of items without written permission.



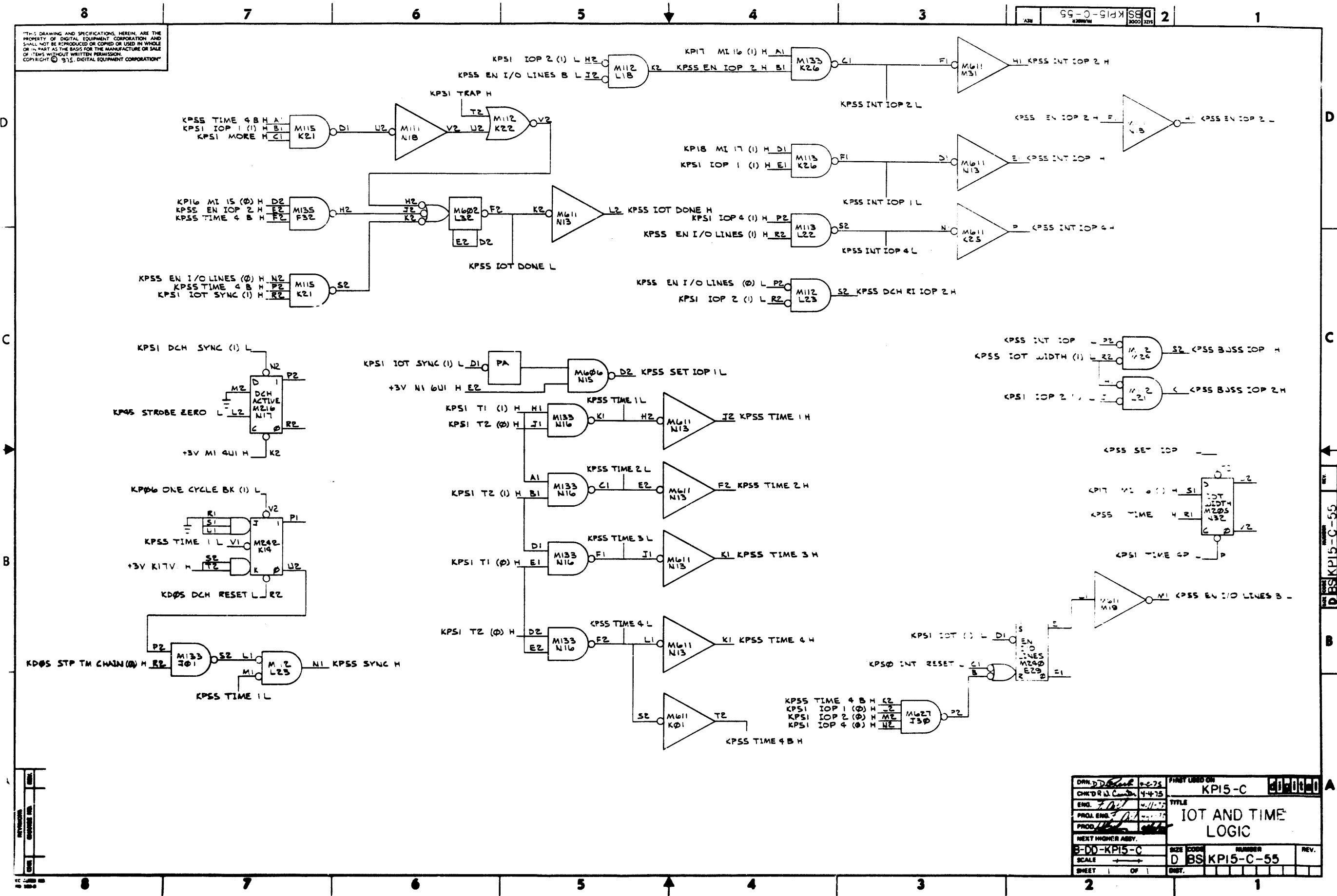
NOTES:
 GND M82, M84. PINS: C1, F1, K1, N1, R1
 GND M86, M88. PINS: F2, J2, L2, M2
 GND M86. PINS: R2, U2

REVISIONS		
CHK	REVISION NO.	REL
✓	KP15-00235	E

J. FRISCHAUER	10/77	EQUIPMENT CORPORATION MILWAUKEE, WISCONSIN 53122
R. COOK	10/77	
V. TULLY	10/77	
S. WITLER	10/77	
P. LARKEY	10/77	
NAME: KP15 D 85 PART OF:		I/O BUS BITS 0-8 NUMBER: KP15-0-53 REV: B

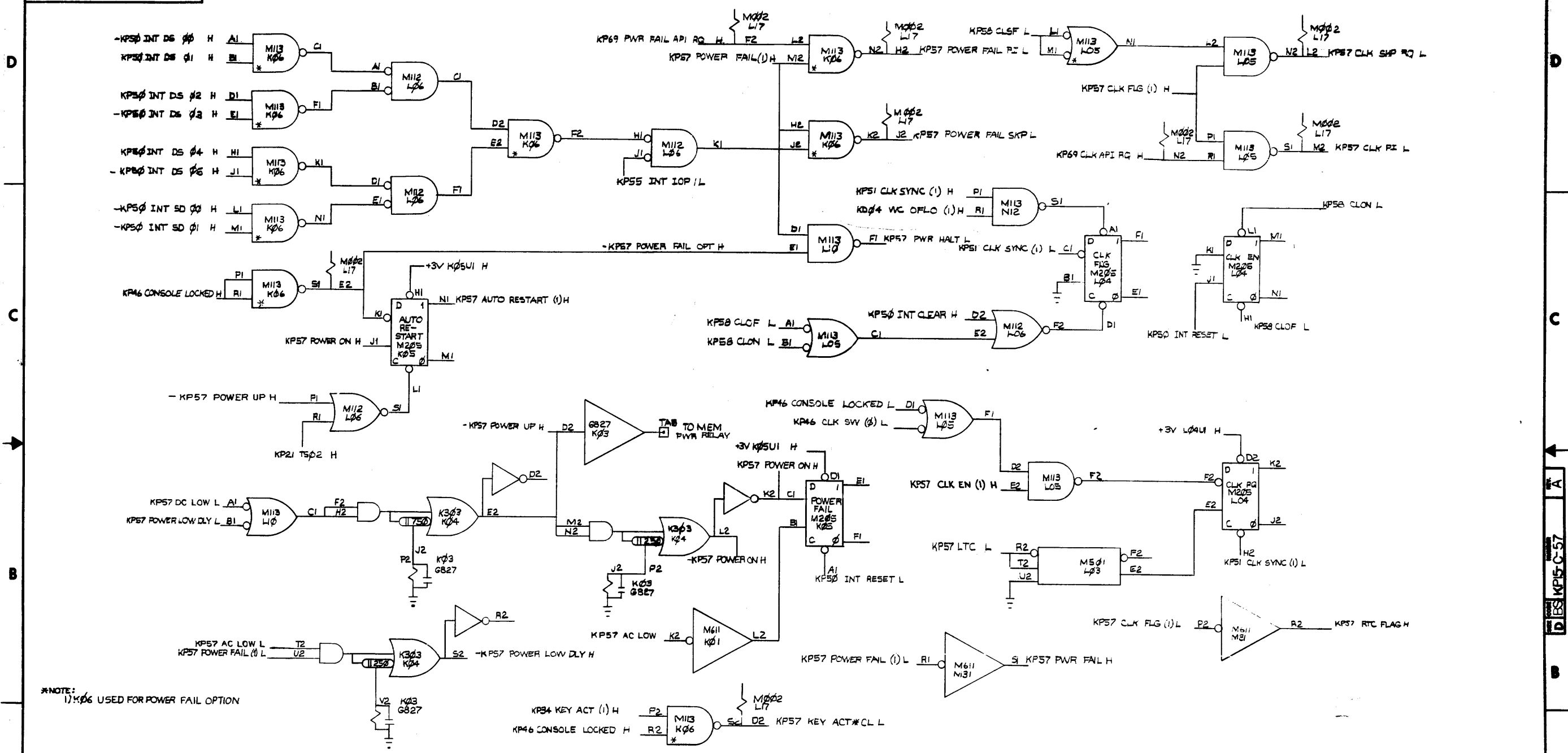
THIS DRAWING AND SPECIFICATIONS HEREIN ARE THE PROPERTY OF DIGITAL EQUIPMENT CORPORATION AND SHALL NOT BE REPRODUCED OR COPIED OR USED IN WHOLE OR IN PART AS THE BASIS FOR THE MANUFACTURE OR SALE OF ITEMS WITHOUT WRITTEN PERMISSION. COPYRIGHT © 1975, DIGITAL EQUIPMENT CORPORATION

REV. 0000 99-0-95



DRN. D. [Signature]	4-275	FIRST USED ON	KP15-C	00000
CHK'D R. [Signature]	4-475	TITLE	IOT AND TIME LOGIC	
ENG. [Signature]	4-1157	SCALE	D	BS KP15-C-55
PRG. ENG. [Signature]		SIZE	D	REV.
PROD. [Signature]		NUMBER	BS KP15-C-55	
NEXT HIGHER ASSY.		SHEET	1	OF 1

"THIS DRAWING AND SPECIFICATIONS HEREIN ARE THE PROPERTY OF SPITAL EQUIPMENT CORPORATION AND SHALL NOT BE REPRODUCED OR COPIED OR USED IN WHOLE OR IN PART AS THE BASIS FOR THE MANUFACTURE OR SALE OF ITEMS WITHOUT WRITTEN PERMISSION. COPYRIGHT © 1972 SPITAL EQUIPMENT CORPORATION"

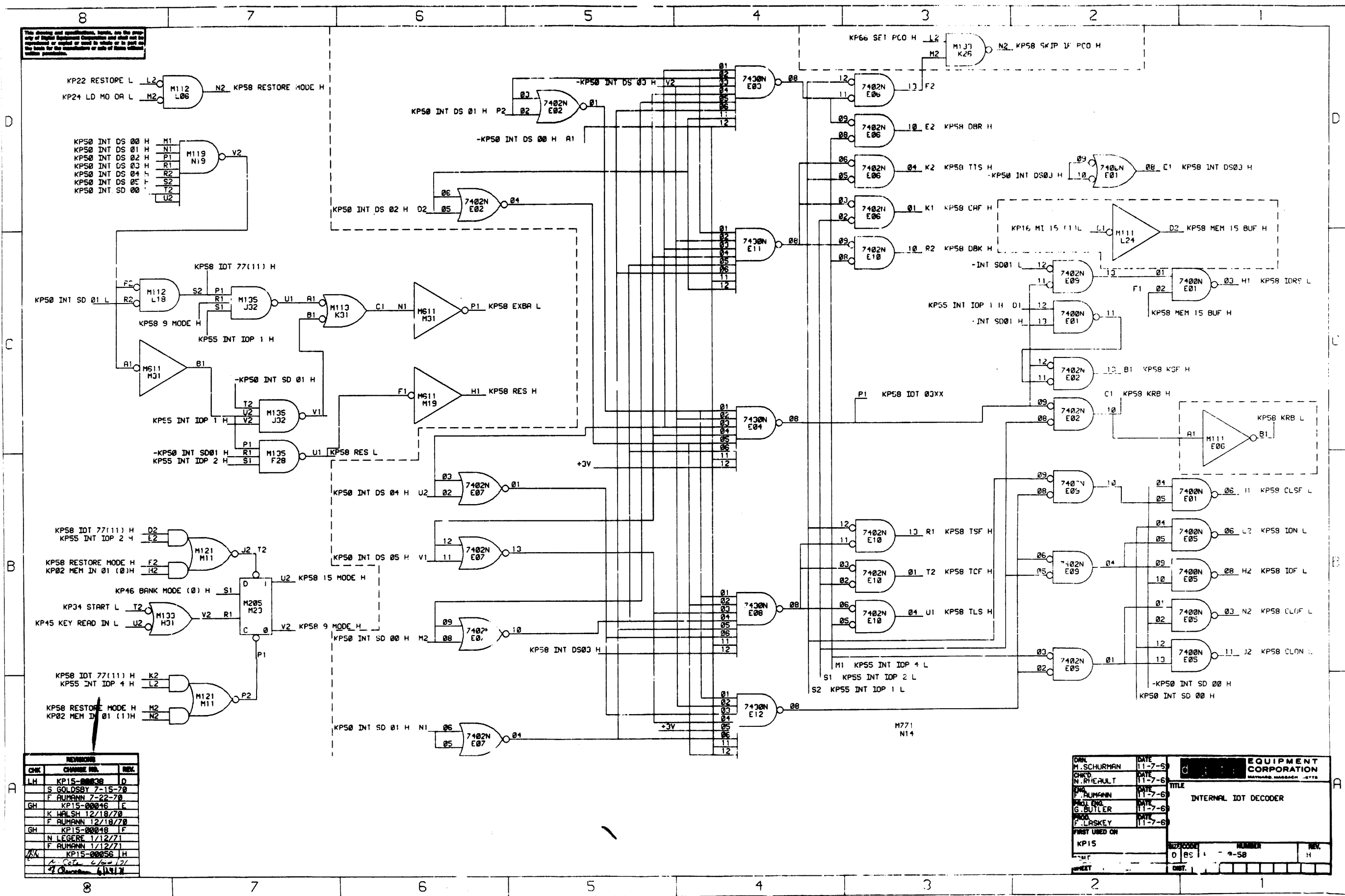


*NOTE: 1) M106 USED FOR POWER FAIL OPTION

REV.	REV.
1	A
2	B
3	C
4	D
5	E
6	F
7	G
8	H

DRN. <i>J. Doherty</i>	2/16/75	FIRST USED ON	KP15-C
CHK'D <i>R. C. ...</i>	3/13/75	TITLE	POWER FAIL AND R T CLOCK
ENG. <i>F. Doherty</i>	3/13/75	SIZE	D
PROJ. ENG. <i>F. Doherty</i>	3/13/75	CODE	BS
PROD. <i>F. Doherty</i>	3/13/75	NUMBER	KP15-C-57
NEXT HIGHER ASSY.		REV.	A
B-DD-KP15-C		SCALE	1-1
SHEET	1 OF 1	DIST.	

This drawing and specifications, herein, are the property of Hughes Aircraft Company and shall not be reproduced or copied in whole or in part or the basis for the manufacture or sale of items without written permission.

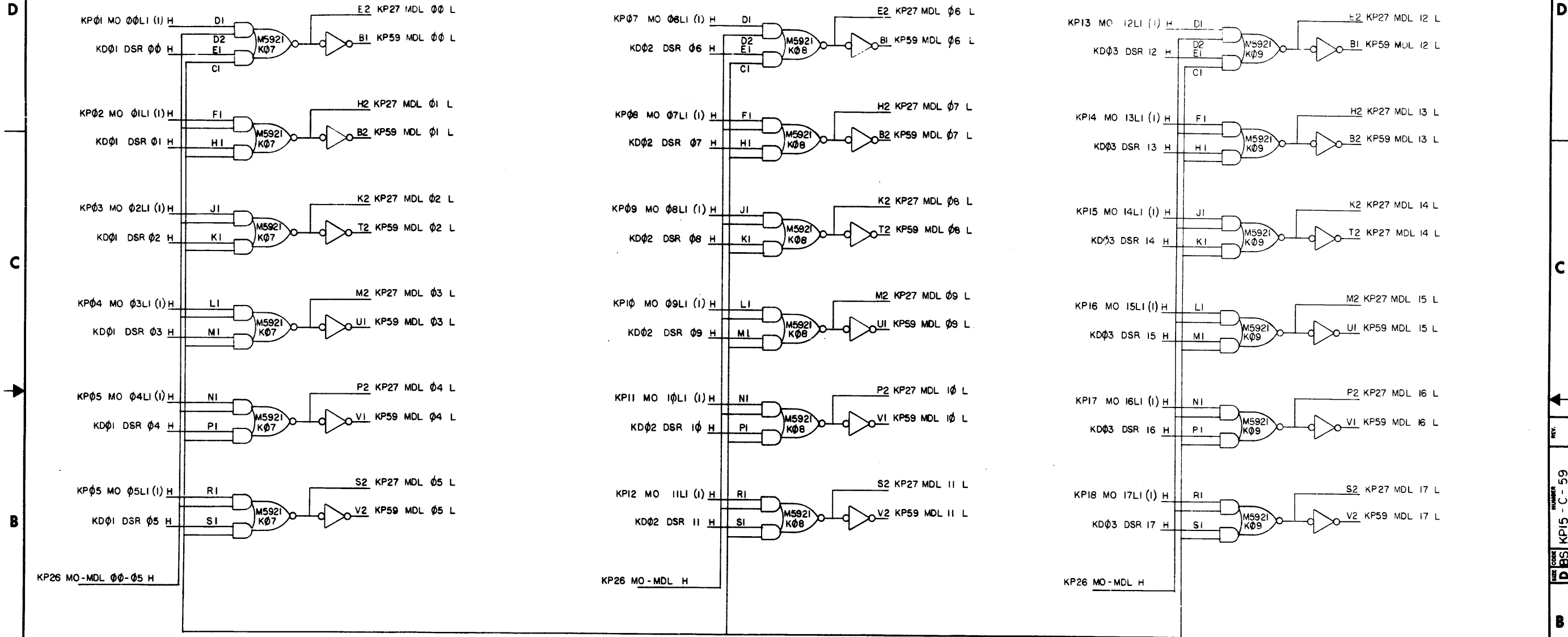


CHK	CHANGE NO.	REV.
LH	KP15-00038	D
S	GOLDSBY 7-15-70	
F	RUHMANN 7-22-70	
GH	KP15-00046	E
K	WALSH 12/18/70	
F	RUHMANN 12/18/70	
GH	KP15-00048	F
N	LEGERE 1/12/71	
F	RUHMANN 1/12/71	
GH	KP15-00056	H
L	RET 4/10/72	
GH	6/13/72	

DRN	DATE	TITLE
M. SCHURMAN	11-7-59	INTERNAL ID DECODER
N. RHEULT	11-7-60	
F. RUHMANN	11-7-60	
G. BUTLER	11-7-60	
F. LASKEY	11-7-60	
F. LASKEY	11-7-60	

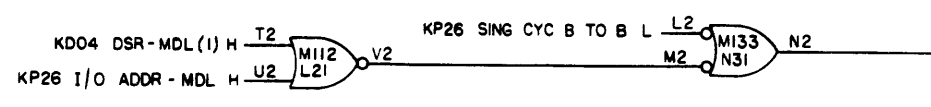
REV.	DESCRIPTION	DATE
0	ISS	9-58

THIS DRAWING AND SPECIFICATIONS HEREIN ARE THE PROPERTY OF DIGITAL EQUIPMENT CORPORATION AND SHALL NOT BE REPRODUCED OR COPIED OR USED IN WHOLE OR IN PART AS THE BASIS FOR THE MANUFACTURE OR SALE OF ITEMS WITHOUT WRITTEN PERMISSION. COPYRIGHT © 1975, DIGITAL EQUIPMENT CORPORATION.



NOTES:

1. KP59 MDL XX L IS CONNECTED TO M1 REGISTER.

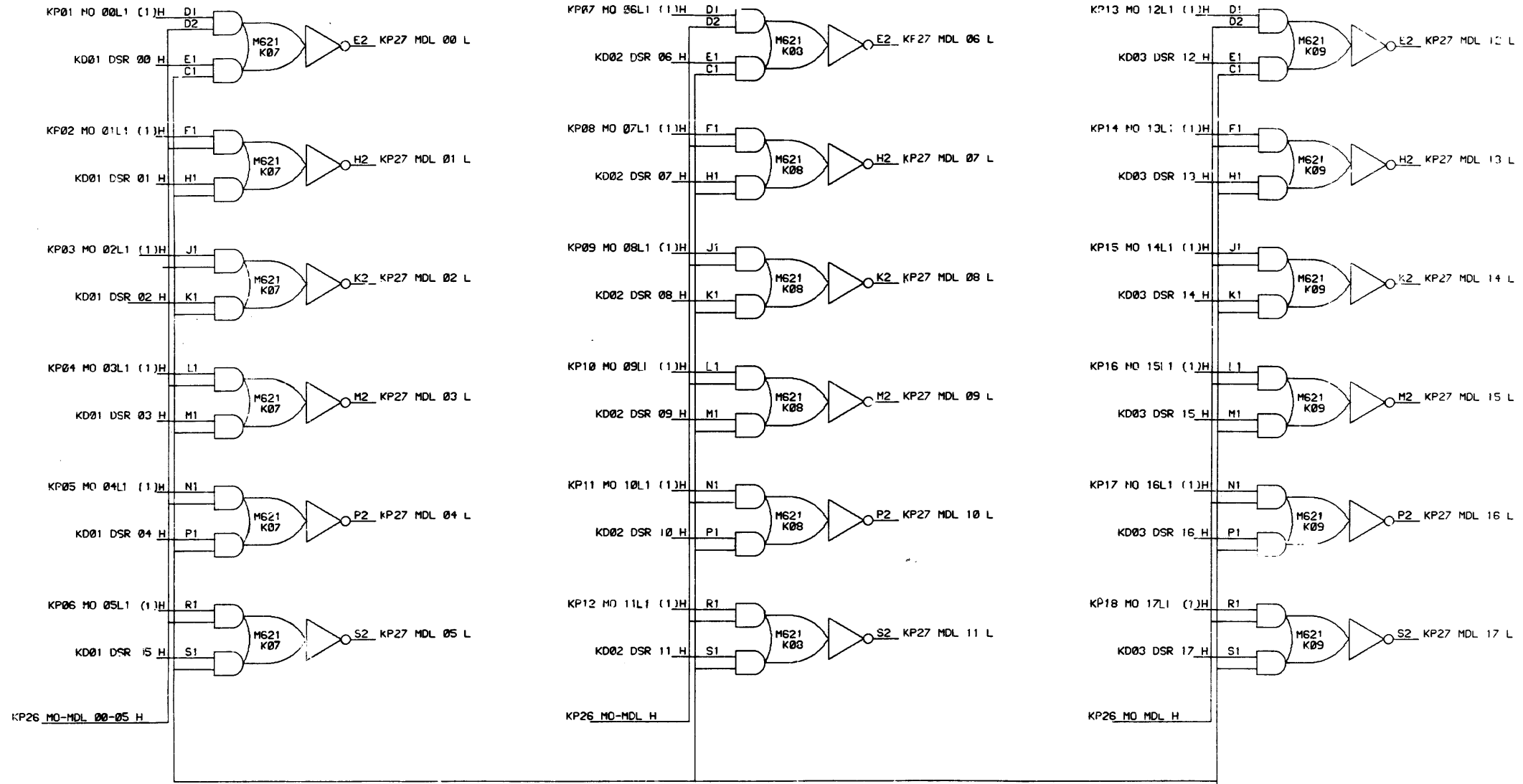


REV.	1	ORIGINATED
CHKD	1	10/11/75
DESIGNED	1	10/11/75
DATE	10/11/75	

DRN. M. G. 1/8 Nov 75	FIRST USED ON	KPI5C
CHK'D B. H. 1/7 Nov 75	TITLE	MDL DRIVER
ENG. F. D. 1/8 Nov 75		
PROJ. ENG. T. D. 1/8 Nov 75		
PROD. F. D. 1/8 Nov 75		
NEXT HIGHER ASSY.		
B-30-KP15-C-0	SIZE CODE	D BS
SCALE	NUMBER	KP15-C-59
SHEET 1 OF 1	DIST.	

REV. NUMBER D BS KP15-C-59

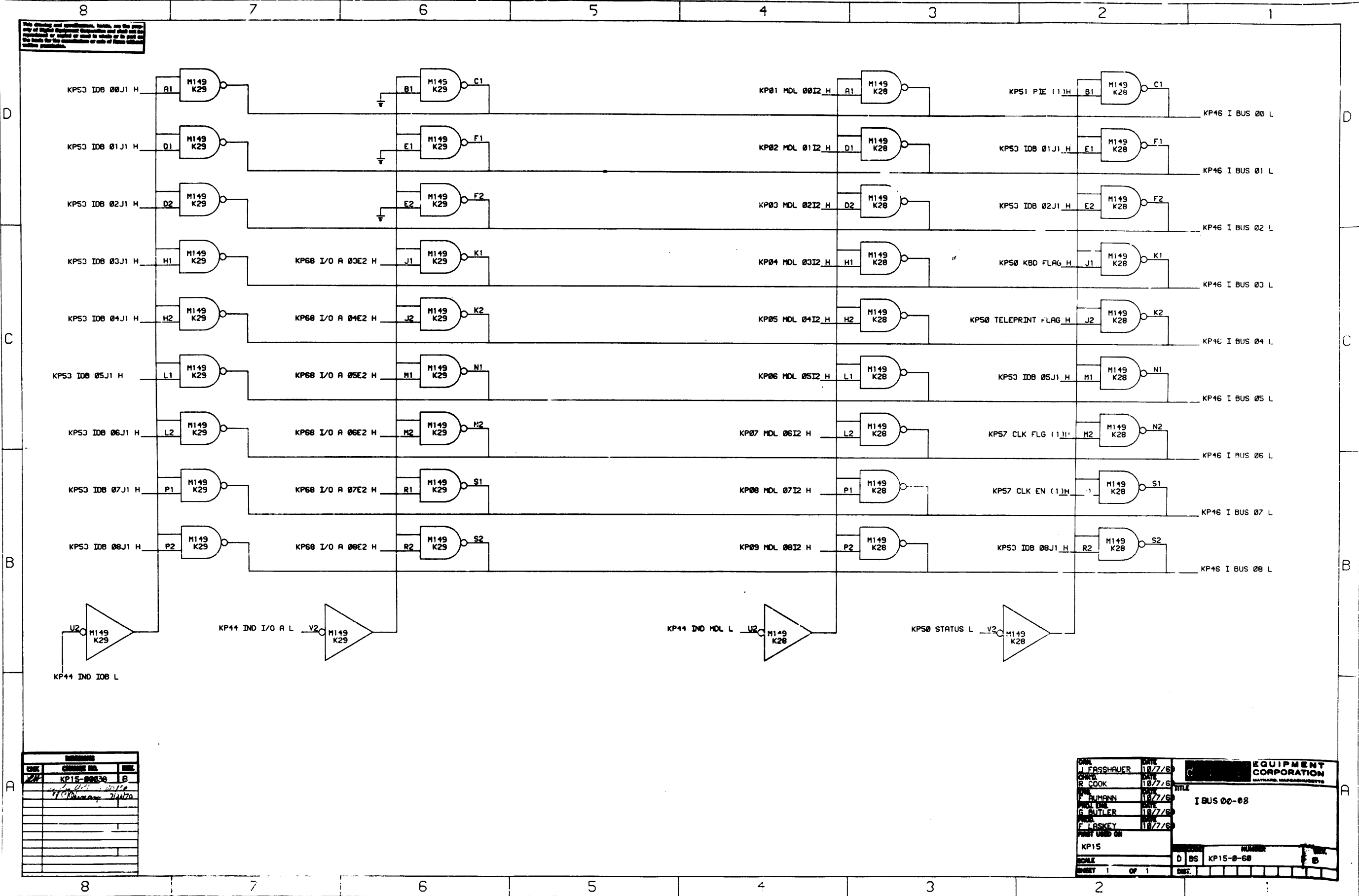
This drawing and specifications, herein, are the property of Digital Equipment Corporation and shall not be reproduced or copied or used in whole or in part, or the facts for the manufacture or sale of items without written permission.



CHK	CHANGE NO.	REV.
LH	KP15-00039	S
	S GOLDSBY 7-15-70	
	F RUMANN 7-22-70	
GI	KP15-00046	C
	K WALSH 12/11/70	
	F RUMANN 12/11/70	
MI	KP15-00048	D

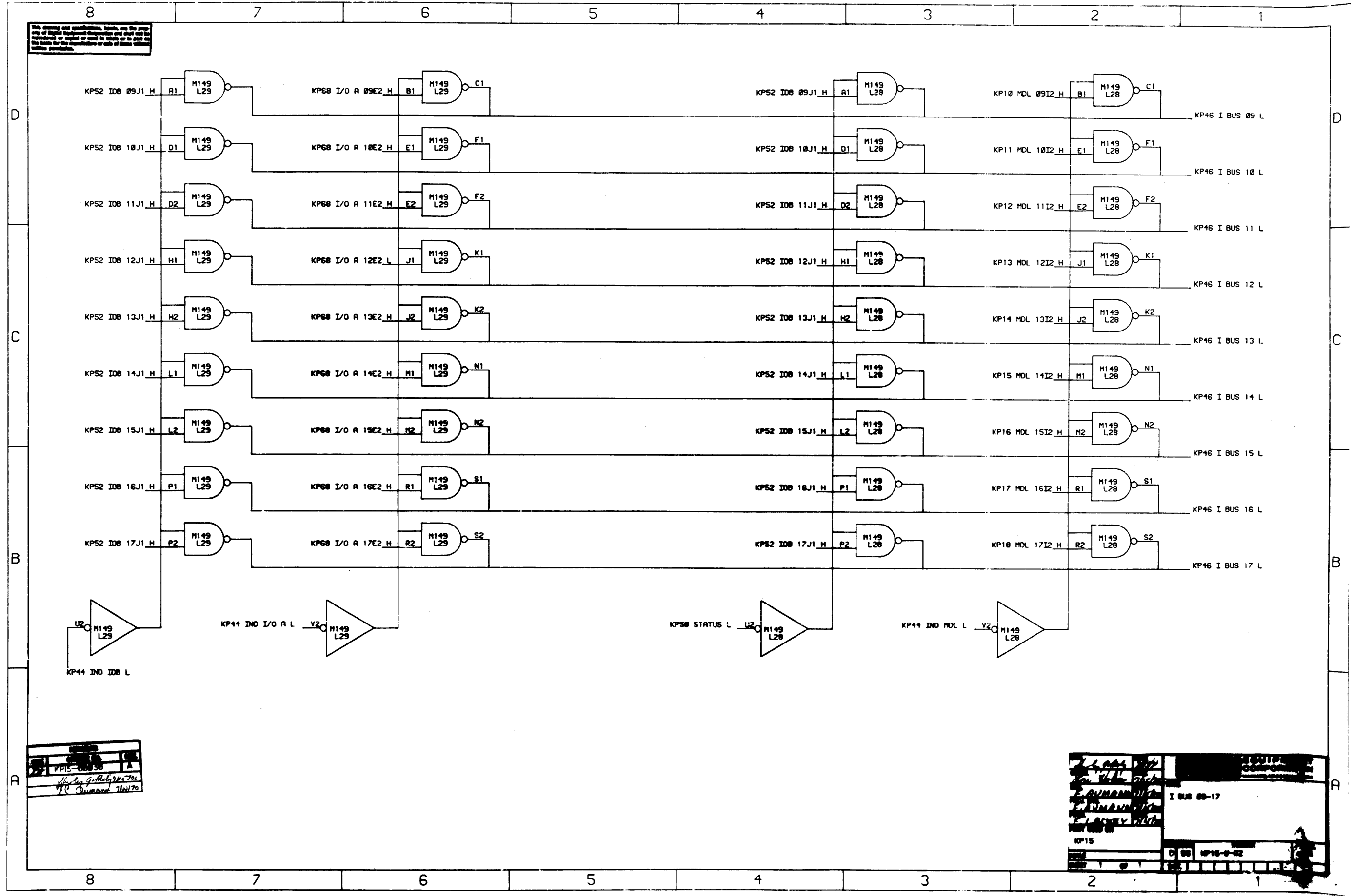
DRN	DATE	TITLE	EQUIPMENT CORPORATION MAYFIELD, MASSACHUSETTS
M. SCHIRMAN	11-7-69		
CHKD.	DATE		
N. RHEAULT	11-7-69		
ENG.	DATE		
F. RUMANN	11-7-69		
PRCL. ENG.	DATE		
G. BUTLER	11-7-69		
PRCS.	DATE		
F. LASKY	11-7-69		
FIRST USED ON			
KP15		SIZE CODE	NUMBER
SCALE		U BS	KP15-0-59
SHEET: 1 OF 1		DIST.	

This drawing and specifications, herein, are the property of Digital Equipment Corporation and shall not be reproduced or copied in whole or in part without the written consent of Digital Equipment Corporation.

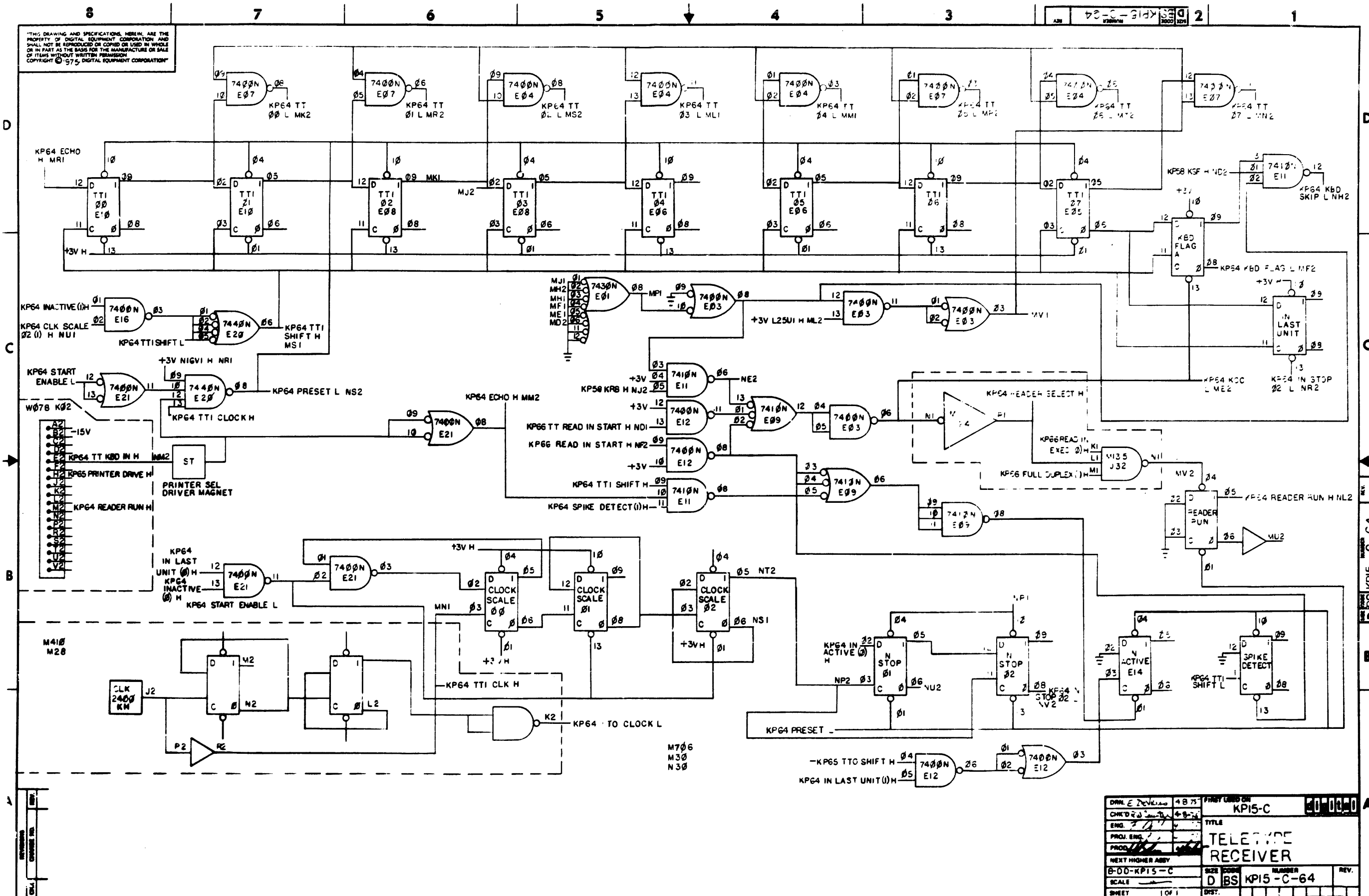


CHK	CONTR NO.	REV.
2/1	KP15-88830	B

DATE	BY	TITLE
10/7/68	J. FASSHAUER	I BUS 00-08
10/7/68	R. COOK	
10/7/68	F. MANN	
10/7/68	G. BUTLER	
10/7/68	F. LASKEY	

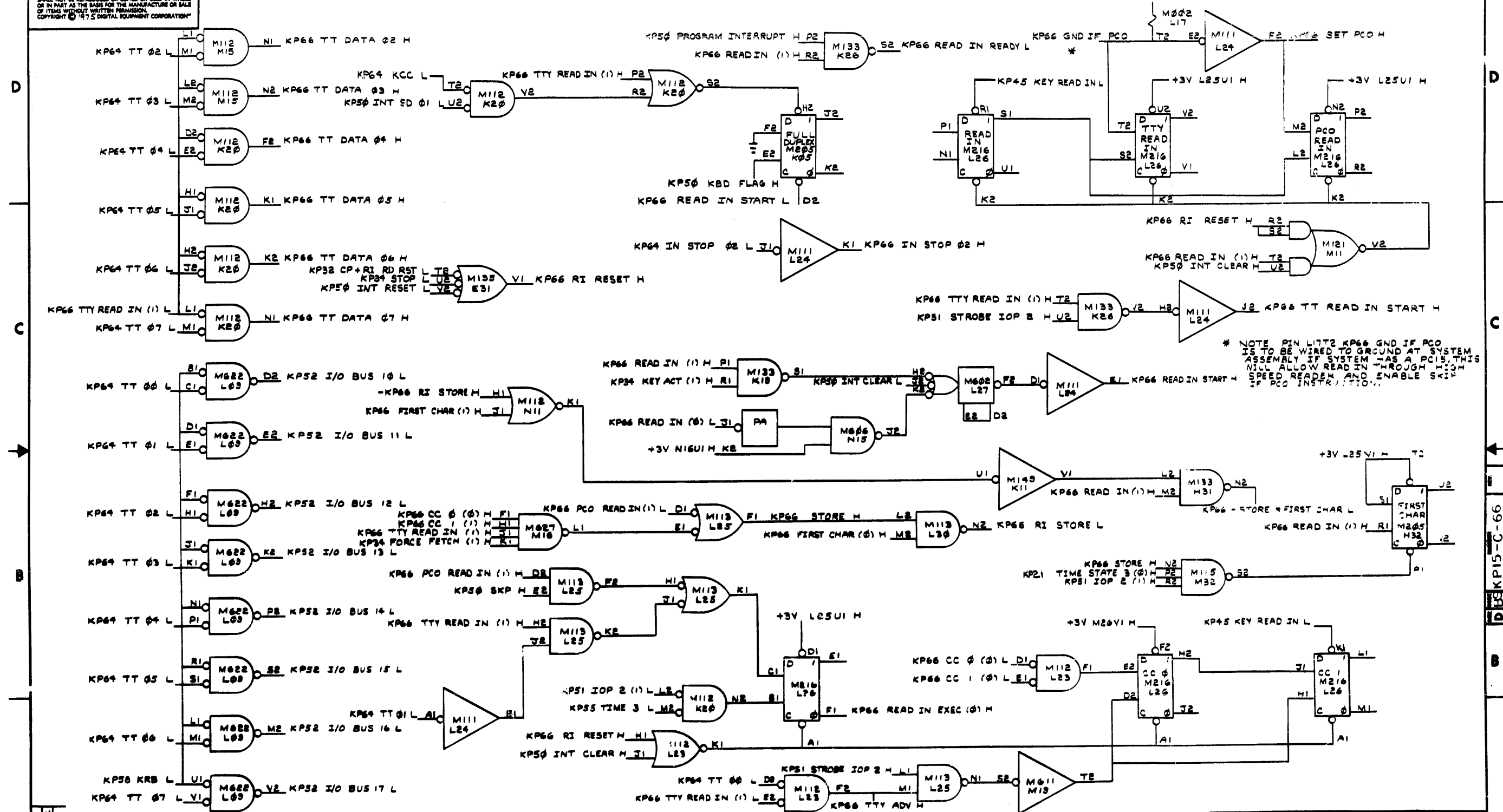


THIS DRAWING AND SPECIFICATIONS HEREIN ARE THE PROPERTY OF DIGITAL EQUIPMENT CORPORATION AND SHALL NOT BE REPRODUCED OR COPIED OR USED IN WHOLE OR IN PART AS THE BASIS FOR THE MANUFACTURE OR SALE OF ITEMS WITHOUT WRITTEN PERMISSION. COPYRIGHT © 1975 DIGITAL EQUIPMENT CORPORATION.



DRW. E. REVISED	4-8-75	FIRST USED ON	KP15-C	40-0000
CHK'D BY		ENG. 3		
PROJ. ENG.		TITLE	TELETYPE RECEIVER	
NEXT HIGHER ASBY		SIZE	D	NUMBER
6-00-KP15-C		SCALE	D BS KP15-C-64	
SHEET	1 OF 1	DIST.		REV.

THIS DRAWING AND SPECIFICATIONS HEREIN ARE THE PROPERTY OF DIGITAL EQUIPMENT CORPORATION AND SHALL NOT BE REPRODUCED OR COPIED OR USED IN WHOLE OR IN PART AS THE BASIS FOR THE MANUFACTURE OR SALE OF ITEMS WITHOUT WRITTEN PERMISSION. COPYRIGHT © 1975 DIGITAL EQUIPMENT CORPORATION



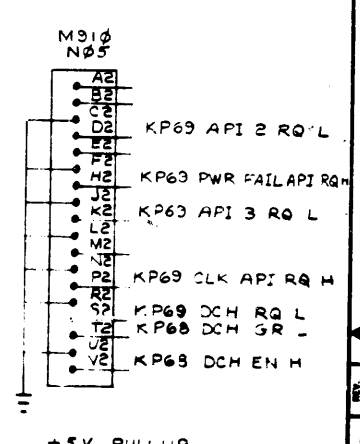
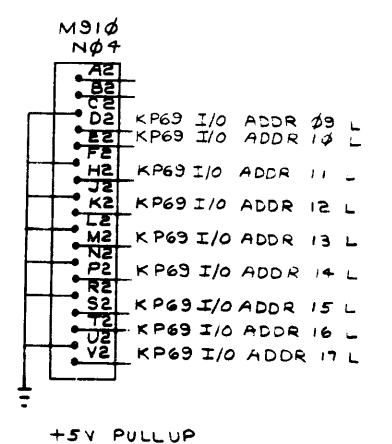
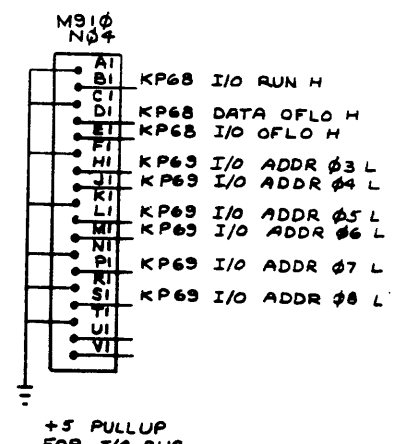
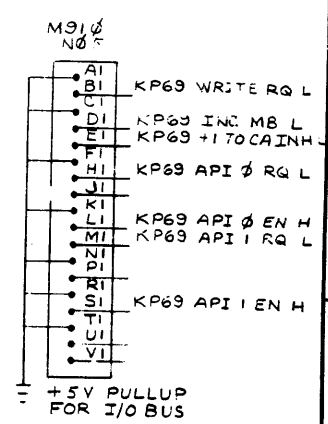
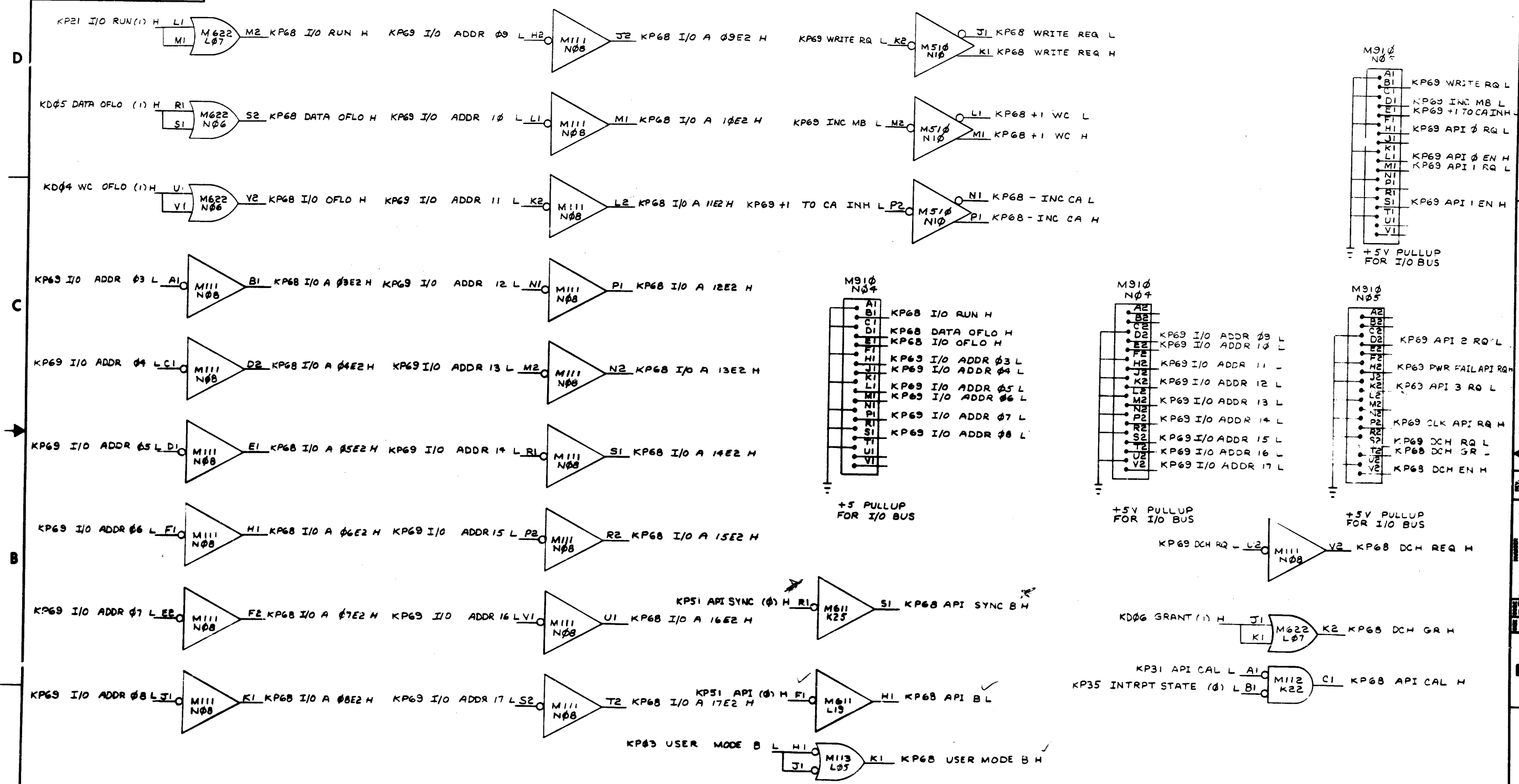
* NOTE PIN L172 KP66 GND IF PCO IS TO BE WIRED TO GROUND AT SYSTEM ASSEMBLY IF SYSTEM HAS A PC15. THIS WILL ALLOW READ IN THROUGH HIGH SPEED READ IN AND ENABLE SKIP IF PCO INSTR. TO...

DRN	2/6/78	FIRST DESIGN	KP15-C
CHK'D	2/6/78	TITLE	READ IN
ENG.	2/6/78	SCALE	D
PROJ. ENGR.	2/6/78	SHEET	1 OF 1
PROD.	2/6/78	DATE	
NEXT HIGHER ASSY.			
B-DD-KP15-C	SIZE CODE	NUMBER	REV.
SCALE	D	BS KP15-C-03	
SHEET	1	OF	1

REV. NO. 1
CHANGE NO. 1
DATE

"THIS DRAWING AND SPECIFICATIONS, HEREIN, ARE THE PROPERTY OF DIGITAL EQUIPMENT CORPORATION AND SHALL NOT BE REPRODUCED OR COPIED OR USED IN WHOLE OR IN PART AS THE BASIS FOR THE MANUFACTURE OR SALE OF ITEMS WITHOUT WRITTEN PERMISSION. COPYRIGHT © 1975, DIGITAL EQUIPMENT CORPORATION"

89-0-917K 89 2 1



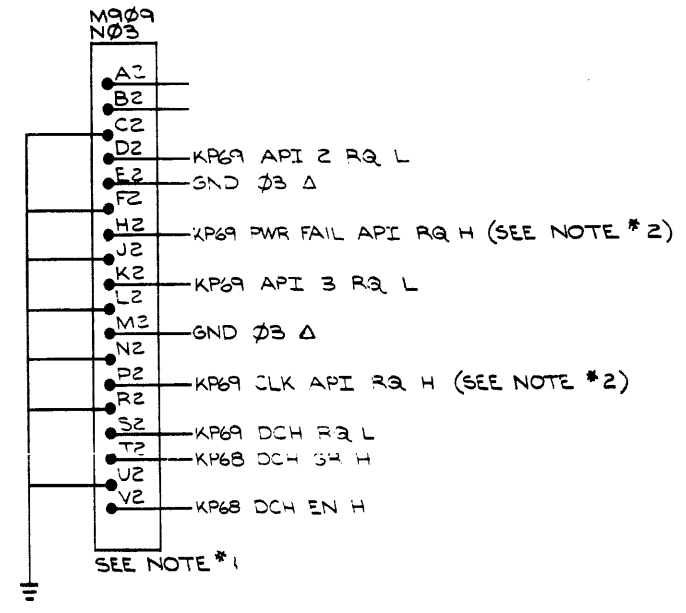
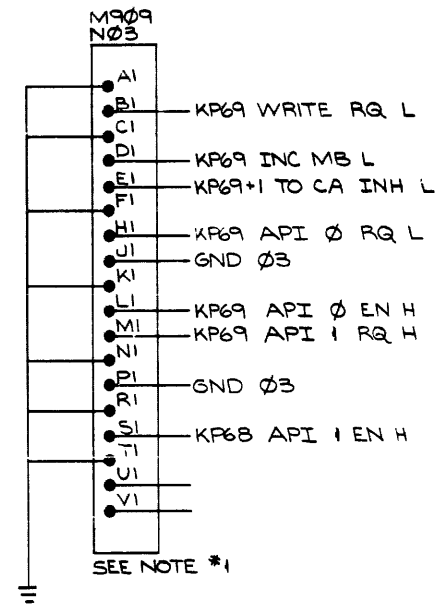
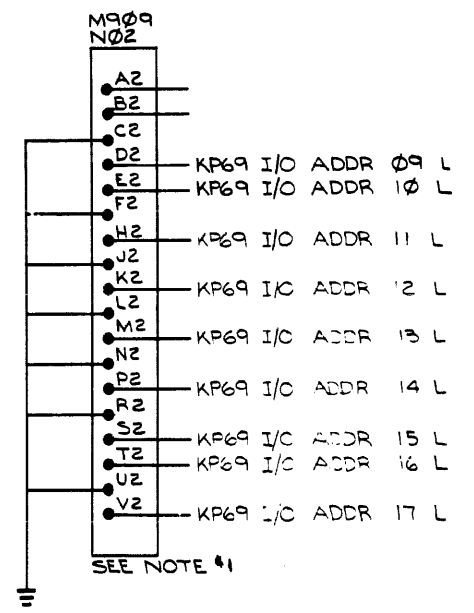
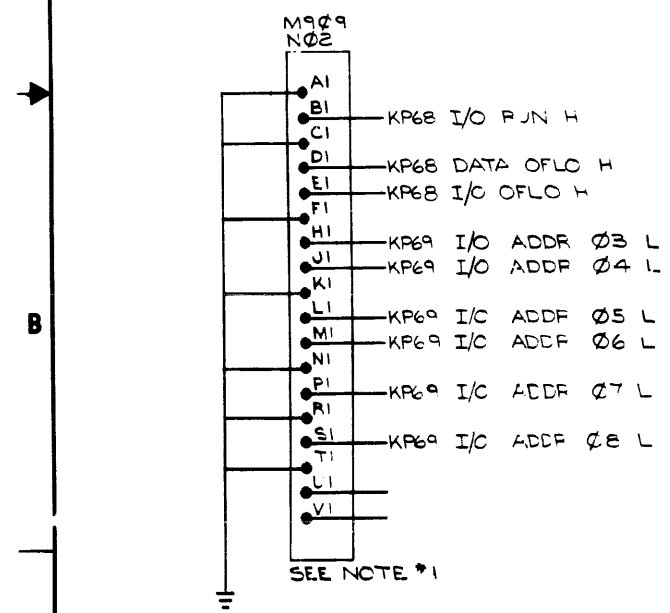
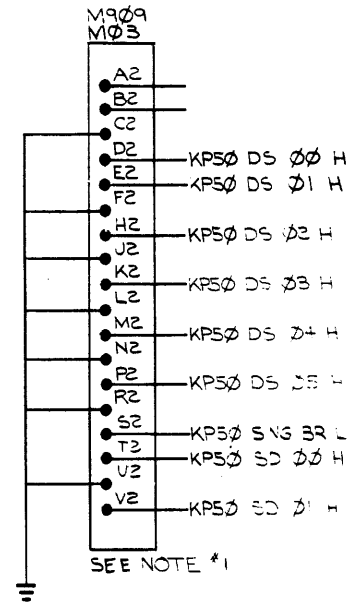
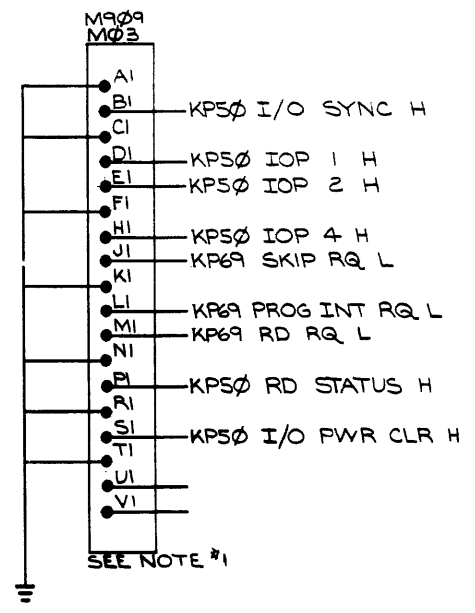
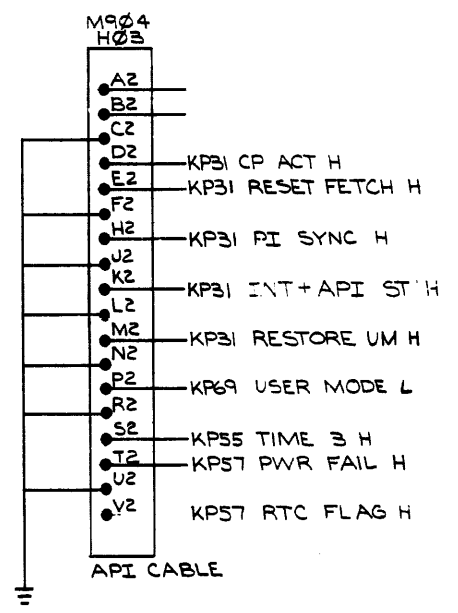
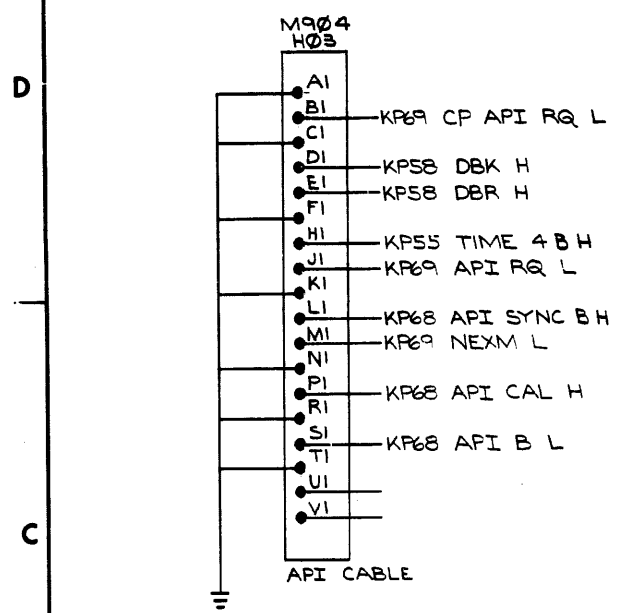
REV.	
CHANGE NO.	
DATE	

DRN. <i>P. Wilson</i> 2/7/75	FIRST USED ON	80-0000
CHK'D BY <i>Cam...</i> 5/5/75	KP15-C	
ENG. <i>F. D...</i> 2/24/75	TITLE	
PROJ. ENG. <i>P...</i> 2/24/75	I/O ADDRESS	
PROD. <i>P...</i> 2/24/75		
NEXT HIGHER ASSY.	SIZE CODE	NUMBER
B-DD-KP15-C	D	BSKP15-C-68
SCALE	SHEET	REV.
	OF 1	

DEC FORM NO. 070 302-0

THIS DRAWING AND SPECIFICATIONS HEREIN ARE THE PROPERTY OF DIGITAL EQUIPMENT CORPORATION AND SHALL NOT BE REPRODUCED OR COPIED OR USED IN WHOLE OR IN PART AS THE BASIS FOR THE MANUFACTURE OR SALE OF ITEMS WITHOUT WRITTEN PERMISSION. COPYRIGHT © 1975, DIGITAL EQUIPMENT CORPORATION.

- NOTES:
- M909 TERMINATOR BOARDS IN M,N02, 03 ARE USED IN PLACE OF THE M912 I/O BUS CABLE CONNECTOR WHEN NO I/O BUS CABLE IS INCLUDED IN THE SYSTEM. IN SYSTEM USING AN I/O BUS CABLE THE M909'S MUST BE PLACED IN THE LAST DEVICE ON THE I/O BUS.
 - IF API (KA15) IS PART OF SYSTEM SIGNALS ON N03H2 AND N03P2 ARE RESPECTIVELY KP69 API 2 EN H AND KP69 API 3 EN H.
 - ON XVM SYSTEMS:
N03E2 IS KP57 AC LOW L
N03M2 IS KP57 DC LOW L

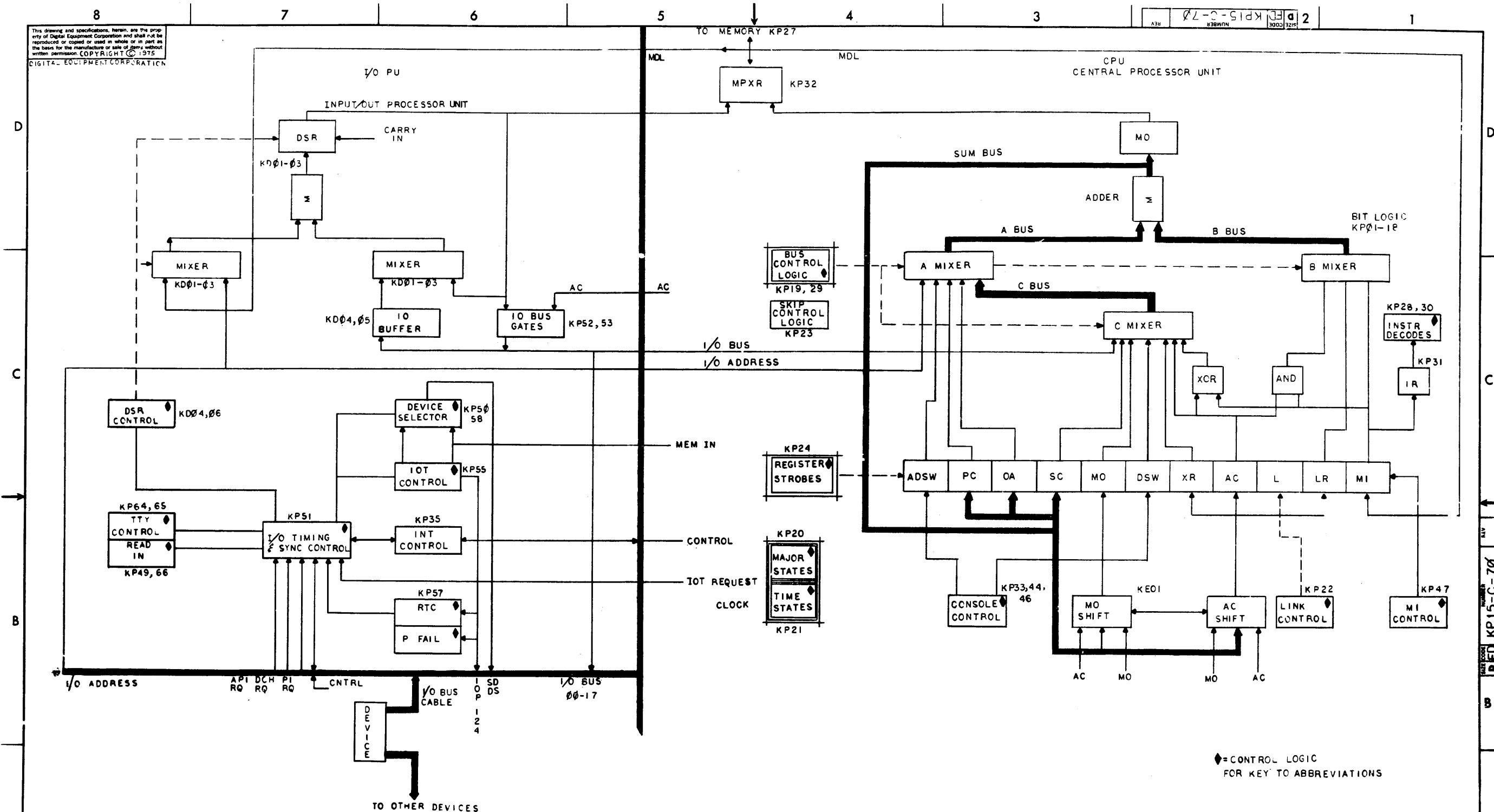


REV.	CHANGE NO.	DATE
A	1	4-1-75

DRN. 4-3-75	FIRST USED ON	KP15-C
CHK'D BY 4-4-75	TITLE	I/O BUS CABLE
ENG. 4-1-75	SCALE	
PROJ. ENG. 4-1-75	SHEET	OF
PROD. 4-1-75	DIST.	
NEXT HIGHER ASSY.		
B-00-KP15-C	SIZE	D
	CODE	BS
	NUMBER	KP15-C-69
	REV.	A

This drawing and specifications, herein, are the property of Digital Equipment Corporation and shall not be reproduced or copied or used in whole or in part as the basis for the manufacture or sale of items without written permission. COPYRIGHT © 1975 DIGITAL EQUIPMENT CORPORATION

REV 2
 02-KP15-C-70
 3003215



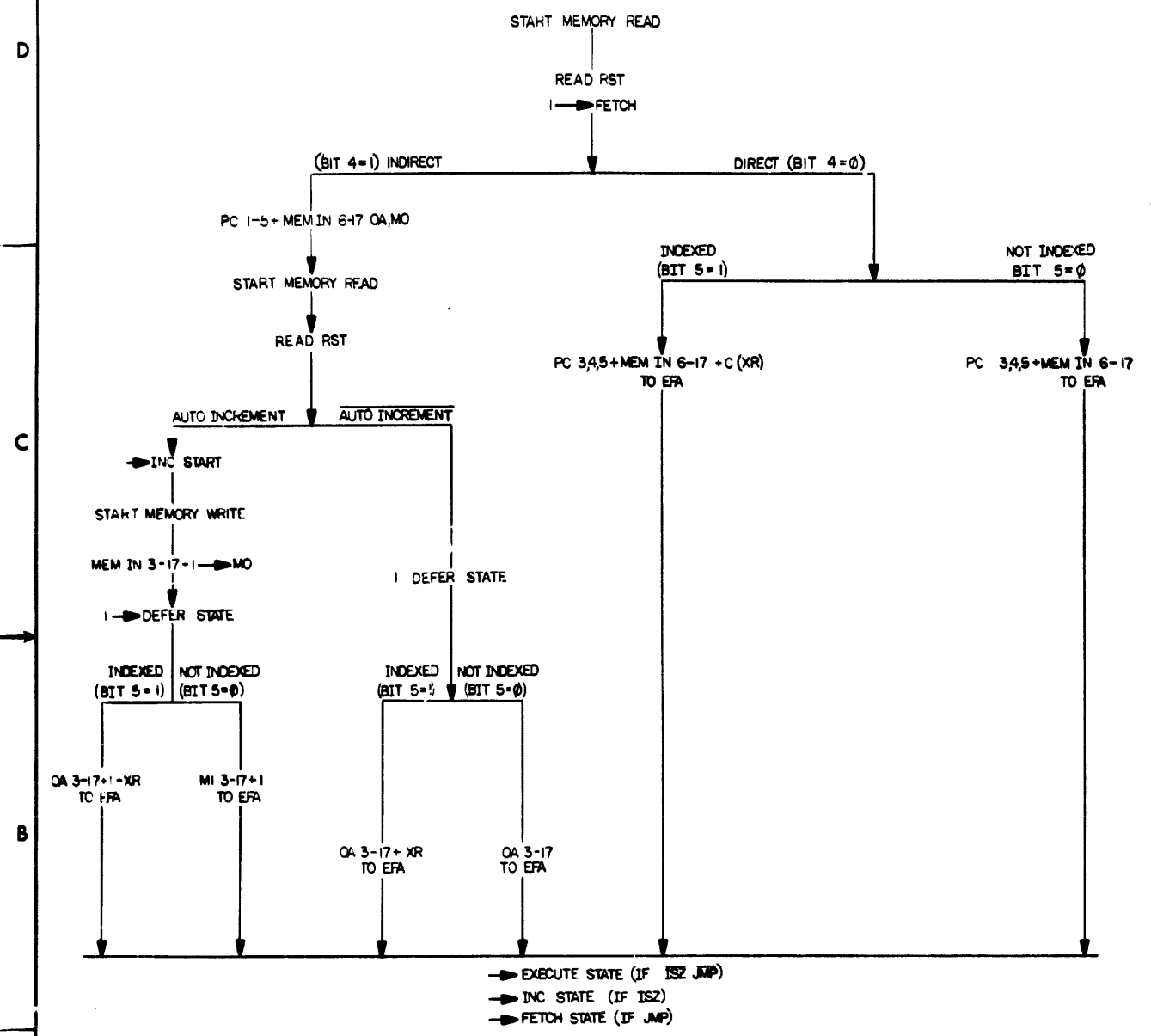
◆ = CONTROL LOGIC FOR KEY TO ABBREVIATIONS

REV.	
CHK	

FIRST USED ON OPTION/MODEL PDP15	DO NOT SCALE DRAWING UNLESS OTHERWISE SPECIFIED DIMENSION IN INCHES TOLERANCES DECIMAL FRACTIONS ± .005 ± .010 ± .015 ± .020 ± .030 ± .040 ± .050 ± .060 ± .070 ± .080 ± .090 ± .100 ± .125 ± .150 ± .175 ± .200 ± .250 ± .300 ± .375 ± .450 ± .560 ± .700 ± .875 ± 1.000 ± 1.250 ± 1.500 ± 1.750 ± 2.000 ± 2.500 ± 3.000 ± 3.750 ± 4.500 ± 5.600 ± 7.000 ± 8.750 ± 10.000 ± 12.500 ± 15.000 ± 17.500 ± 20.000 ± 25.000 ± 30.000 ± 37.500 ± 45.000 ± 56.000 ± 70.000 ± 87.500 ± 100.000	<table border="1"> <tr> <th>QTY.</th> <th>DESCRIPTION</th> <th>PART NO.</th> <th>ITEM NO.</th> </tr> <tr> <td></td> <td colspan="3">PARTS LIST</td> </tr> <tr> <td></td> <td></td> <td></td> <td></td> </tr> </table>	QTY.	DESCRIPTION	PART NO.	ITEM NO.		PARTS LIST						
QTY.	DESCRIPTION	PART NO.	ITEM NO.											
	PARTS LIST													
EQUIPMENT CORPORATION BOSTON, MASSACHUSETTS		TITLE KPI5 BLOCK DIAGRAM & PRINT KEY												
NEXT HIGHER ASSY B-DD-KPI5-C		SCALE SHEET 1 OF 1												
DFD KPI5-C-70		REV.												

REV. 2
 02-KP15-C-70
 3003215

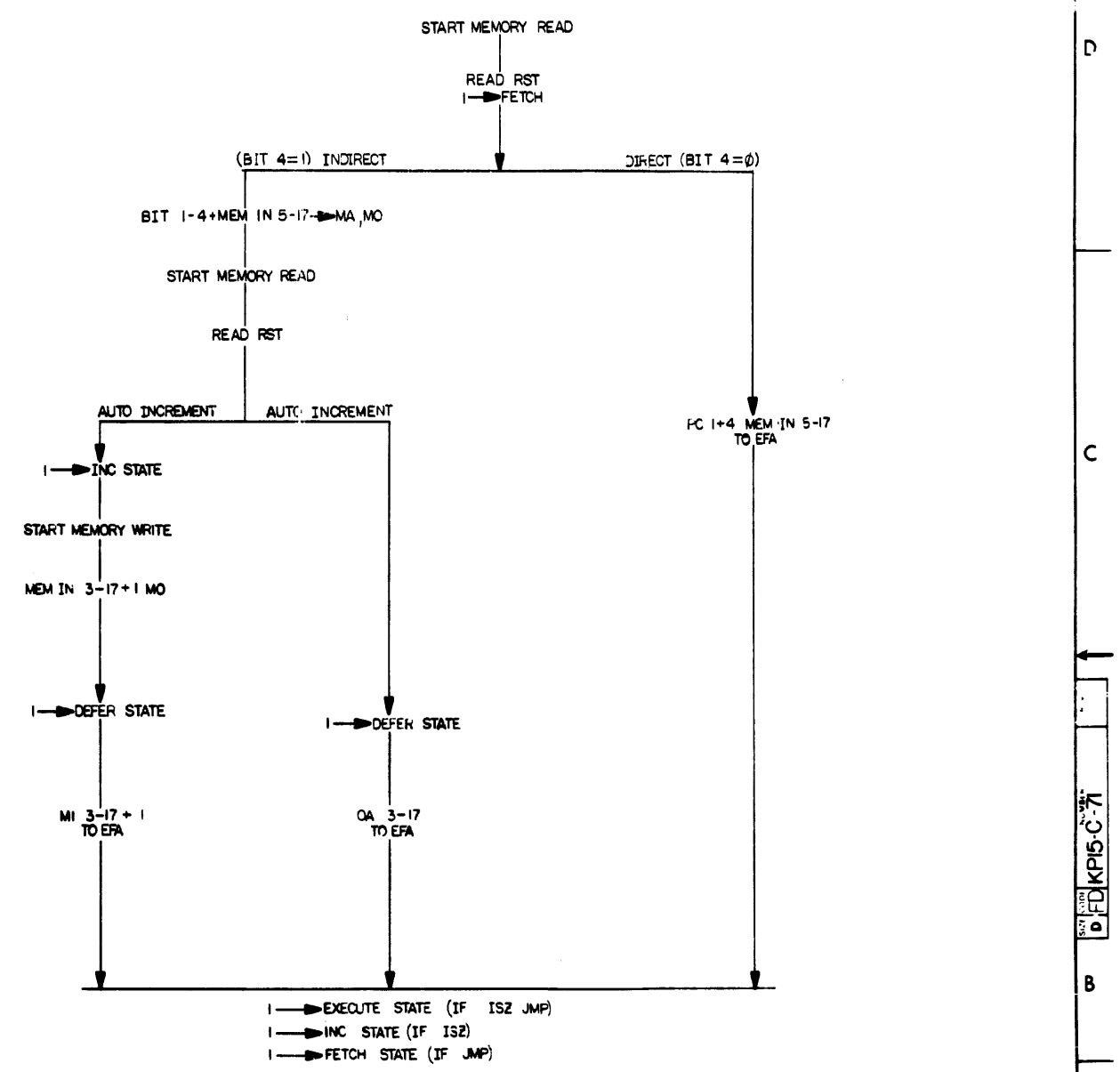
This drawing and specifications, herein, are the property of Digital Equipment Corporation and shall not be reproduced or copied or used in whole or in part as the basis for the manufacture or sale of items without written permission.
 COPYRIGHT © 1975, DIGITAL EQUIPMENT CORPORATION



BANK MODE = 0
 NORMAL

EFA = EFFECTIVE ADDRESS

REV.	
CHANGE NO.	
CHK	



BANK MODE = 1
 PDP 9 COMPATIBLE

EFA = EFFECTIVE ADDRESS

FIRST USED ON OPTION / MODEL
 PDP15-C

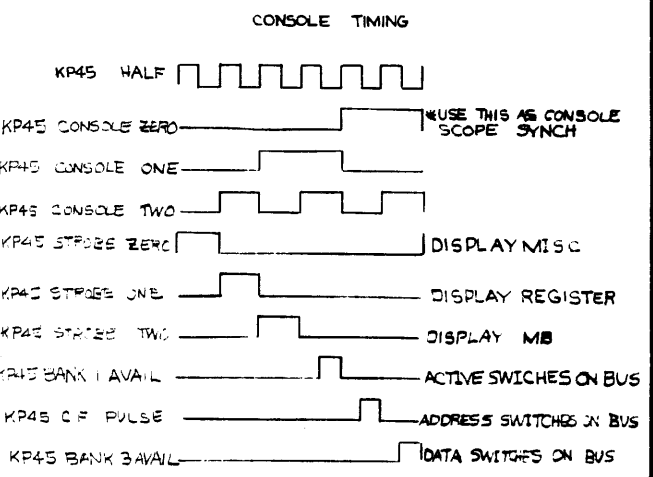
DO NOT SCALE DRAWING UNLESS OTHERWISE SPECIFIED	DATE 2-7-72
DIMENSION IN INCHES	DATE 3/10/72
TOLERANCES	DATE 2/23/75
DECIMALS FRACTIONS ANGLES	DATE 2/23/75
± .005 ± 1/64 ± 0°30'	DATE
FINAL SURFACE QUALITY	DATE
REMOVE BURRS AND BREAK SHARP CORNERS	DATE
MATERIAL	
FINISH	

QTY.	DESCRIPTION	PART NO.	ITEM NO.
PARTS LIST			
digital EQUIPMENT CORPORATION MAYNARD MASSACHUSETTS		TITLE PDP15 ADDRESS CALCULATION FLOW CHART	
NEXT HIGHER ASSY. B-DD-KP15-C		SIZE CODE DFD	NUMBER KP15-C-71
SCALE	SHEET	OF	REV.

THIS DRAWING AND SPECIFICATIONS, HEREIN, ARE THE PROPERTY OF DIGITAL EQUIPMENT CORPORATION AND SHALL NOT BE REPRODUCED OR COPIED OR USED IN WHOLE OR IN PART AS THE BASIS FOR THE MANUFACTURE OR SALE OF ITEMS WITHOUT WRITTEN PERMISSION. COPYRIGHT © 1971, DIGITAL EQUIPMENT CORPORATION.

- KP45 STROBE ZERO L
- KP44 IND PC L (RS12)
- KP44 IND OA L (RS11)
- KP44 IND MO L (RS10)
- KP44 IND PL/SC L (RS09)
- KP44 IND XR L (RS08)
- KP44 IND LR L (RS07)
- KP44 IND EAE L (RS06)
- KP44 IND DSR L (RS05)
- KP44 IND I/OB L (RS04)
- KP44 DISPLAY STROBE L (RS03)
- KP44 IND MO L (RS02)
- KP44 IND ABU L (RS01)
- KP44 IND BBU L (RS12)
- KP44 IND CBU L (RS11)
- KP44 IND SHFT L (RS10)
- KP44 IND I/OA L (RS09)
- KP44 IND SUM L (RS08)
- KP44 IND MI L (RS07)
- KP44 IND M2 L (RS06)
- KP44 IND MDL L (RS05)
- KP44 IND MMA L (RS04)
- KP44 IND MMB L (RS03)
- KP44 IND MST L (RS02)
- KP45 IND MEM IN L

CABLE LOC	TIME	STROBE	IND AC	IND PC	IND OA	IND MO	IND PL/SC	IND XR	IND LR	IND EAE	IND DSR	IND I/OB	STATUS	IND MO	IND ABU	IND BBU	IND CBU	IND SHFT	IND I/OA	IND SUM	IND MAINT	IND MAINT 2	IND MDL	IND MMA	IND MMB	IND MST	IND MEM	STROBE TWO	BANK 1 AVA	CF PULSE	AC AVA
H1	I BUS 00	UNK	AC00	PC00	OA00	MO00	PL REG 00	XR00	LR00	A00H	DSR 00	I/OB 00	IOB 00	MO00	A BUS 00	B BUS 00	C BUS 00	SHFT 00	I/OA 00	SUM 00	D DIV SHFT	SKIP	MDL 00	ADRS 00	UM		MEM IN 00	CONT	SING TIME		
J1	I BUS 01	PLEN 05	AC01	PC01	OA01	MO01	PL REG 01	XR01	LR01	B(0)H	DSR 01	I/OB 01	IOB 01	MO01	A BUS 01	B BUS 01	C BUS 01	SHFT 01	I/OA 01	SUM 01	D MULT SHFT	B MEM IN	MDL 01	ADRS 01	GMI		MEM IN 01	RE RESET	SING STEP	DSW 00	
K1	I BUS 02	PLEN 06	AC02	PC02	OA02	MO02	PL REG 02	XR02	LR02	C(0)H	DSR 02	I/OB 02	IOB 02	MO02	A BUS 02	B BUS 02	C BUS 02	SHFT 02	I/OA 02	SUM 02	D RAL	C LR	MDL 02	ADRS 02	GMI		MEM IN 02	EXAM THIS	SING INST	DSW 01	
L1	I BUS 03	PLEN 07	AC03	PC03	OA03	MO03	PL REG 03	XR03	LR03	D(0)H	DSR 03	I/OB 03	KBD FLAG	MO03	A BUS 03	B BUS 03	C BUS 03	SHFT 03	I/OA 03	SUM 03	D RAR	B AND	MDL 03	ADRS 03	SHARE		MEM IN 03	START	ADR SW03	DSW 03	
M1	I BUS 04	API EN	AC04	PC04	OA04	MO04	PL REG 04	XR04	LR04	E(0)H	DSR 04	I/OB 04	TELE PRINT FLAG	MO04	A BUS 04	B BUS 04	C BUS 04	SHFT 04	I/OA 04	SUM 04	D RTL	LD AC	MDL 04	ADRS 04	RDIS (1)H		MEM IN 04	ADR SW04	DSW 04		
N1	I BUS 05	PI	AC05	PC05	OA05	MO05	PL REG 05	XR05	LR05	F(0)H	DSR 05	I/OB 05	IOB 05	MO05	A BUS 05	B BUS 05	C BUS 05	SHFT 05	I/OA 05	SUM 05	D RTR	LD MO	MDL 05	ADRS 16			MEM IN 05	RS1	ADR SW05	DSW 05	
P1	I BUS 06	PI EN	AC06	PC06	OA06	MO06	PL REG 06	XR06	LR06	-SU	DSR 06	I/OB 06	CLK FLAG	MO06	A BUS 06	B BUS 06	C BUS 06	SHFT 06	I/OA 06	SUM 06	D NO SHFT	LD PC	MDL 06	NEYM	PV		MEM IN 06	ADR SW06	DSW 06		
R1	I BUS 07		AC07	PC07	OA07	MO07	PL REG 07	XR07	LR07	-MUL	DSR 07	I/OB 07	CLK EN	MO07	A BUS 07	B BUS 07	C BUS 07	SHFT 07	I/OA 07	SUM 07	D SW	LD OA	MDL 07	MSYN	PRE		MEM IN 07	RS2	ADR SW07	DSW 07	
U1	I BUS 08	15 MODE	AC08	PC08	OA08	MO08		XR08	LR08	-DIV SHFT	DSR 08	I/OB 08	IOB 08	MO08	A BUS 08	B BUS 08	C BUS 08	SHFT 08	I/OA 08	SUM 08	A C BUS	LD LR	MDL 08	RR 00	BR 00		MEM IN 08	RS3	ADR SW08	DSW 08	
V1	I BUS 09		AC09	PC09	OA09	MO09		XR09	LR09	-EAE NORMS	DSR 09	I/OB 09	IOB 09	MO09	A BUS 09	B BUS 09	C BUS 09	SHFT 09	I/OA 09	SUM 09	A C BUS	LD XR	MDL 09	RR 01	BR 01		MEM IN 09	RS4	ADR SW09	DSW 09	
D2	I BUS 10	FETCH	AC10	PC10	OA10	MO10		XR10	LR10	-EAE LRS	DSR 10	I/OB 10	IOB 10	MO10	A BUS 10	B BUS 10	C BUS 10	SHFT 10	I/OA 10	SUM 10	A C BUS	MDL 10	RR 02	BR 02		MEM IN 10	RS5	ADR SW10	DSW 10		
E2	I BUS 11	INC	AC11	PC11	OA11	MO11	SC OFLO	XR11	LR11	-EAE LLS	DSR 11	I/OB 11	IOB 11	MO11	A BUS 11	B BUS 11	C BUS 11	SHFT 11	I/OA 11	SUM 11	A READ IN	B MDL	RR 03	BR 03		MEM IN 11	RS6	ADR SW11	DSW 11		
F2	I BUS 12	DEFER	AC12	PC12	OA12	MO12		XR12	LR12	-EAE ACLS	DSR 12	I/OB 12	IOB 12	MO12	A BUS 12	B BUS 12	C BUS 12	SHFT 12	I/OA 12	SUM 12	A C BUS	MDL 12	RR 04	BR 04		MEM IN 12	RS7	ADR SW12	DSW 12		
H2	I BUS 13	EAE	AC13	PC13	OA13	MO13		XR13	LR13	-EAE SIGN	DSR 13	I/OB 13	IOB 13	MO13	A BUS 13	B BUS 13	C BUS 13	SHFT 13	I/OA 13	SUM 13	A I/OAD	C MDL	RR 05	BR 05		MEM IN 13	RS8	ADR SW13	DSW 13		
J2	I BUS 14	EXEC	AC14	PC14	OA14	MO14		XR14	LR14	-P/Q	DSR 14	I/OB 14	IOB 14	MO14	A BUS 14	B BUS 14	C BUS 14	SHFT 14	I/OA 14	SUM 14	A CDR	MDL 14	RR 06	BR 06		MEM IN 14	RS9	ADR SW14	DSW 14		
K2	I BUS 15	TS1	AC15	PC15	OA15	MO15		XR15	LR15	-DIV OFLO	DSR 15	I/OB 15	IOB 15	MO15	A BUS 15	B BUS 15	C BUS 15	SHFT 15	I/OA 15	SUM 15	A MA	START READ	MDL 15	RR 07	BR 07		MEM IN 15	RS10	ADR SW15	DSW 15	
L2	I BUS 16	TS2	AC16	PC16	OA16	MO16		XR16	LR16	-FULL	DSR 16	I/OB 16	IOB 16	MO16	A BUS 16	B BUS 16	C BUS 16	SHFT 16	I/OA 16	SUM 16	A DATA IN	START WRITE	MDL 16	RR 08	BR 08		MEM IN 16	RS11	ADR SW16	DSW 16	
M2	I BUS 17	TS3	AC17	PC17	OA17	MO17		XR17	LR17	-EAE NOSET	DSR 17	I/OB 17	IOB 17	MO17	A BUS 17	B BUS 17	C BUS 17	SHFT 17	I/OA 17	SUM 17	A DATA OUT	CP MRLS	MDL 17	RR 09	BR 09		MEM IN 17	RS12	ADR SW17	DSW 17	
A1	I BUS 18	DCH ACT	I/O RUN (1)H																							IR CODE 0	DEF TH:5		DSW 02		
B1	I BUS 19	PLEN 00H	POWER ON																							IR CODE 1	NEXT	CLK			
C1	I BUS 20	PLEN 01H	EXTD (+3V)																							IR CODE 2	STOP	REG GROUP			
D1	I BUS 21	PLEN 02H	CLK EN (1)H																							IR CODE 3	READ IN	BANK MODE			
E1	I BUS 22	PLEN 03H																								DEFER	EXE CUTE	REPEAT			
F1	I BUS 23	PLEN 04H	USER MADE																							INDEX	PRPT				



* INDICATES A LOW TRUE SIGNAL WHEN INDICATOR IS NOT LIGHTED SIGNAL IS TRUE

REV.	CHG	NO.	DATE	BY	REASON
1		1	3/15/71	F. DOLL	INITIAL

DRN: <i>Norman</i>	2-12-75	FIRST USED ON	PDP 15-C	digital
CHK'D: <i>R. W. Cunniff</i>	3/15/75	TITLE	SIGNAL CHART IND BUS	
ENG: <i>F. D. ...</i>	3/15/75	SCALE	D FD KPI5-C-72	
PROJ. ENG: <i>F. D. ...</i>	3/15/75	SHEET	1	OF 1
NEXT HIGHER ASSY.		SIZE	D	CODE
B-DD-KPI5-C		NUMBER	KPI5-C-72	REV. A

"THIS DRAWING AND SPECIFICATIONS HEREIN ARE THE PROPERTY OF DIGITAL EQUIPMENT CORPORATION AND SHALL NOT BE REPRODUCED OR COPIED OR USED IN WHOLE OR IN PART AS THE BASIS FOR THE MANUFACTURE OR SALE OF ITEMS WITHOUT WRITTEN PERMISSION. COPYRIGHT © 1975, DIGITAL EQUIPMENT CORPORATION"

2 DFD KP15-C-73

START CONTINUE CONTINUE EXECUTE EXAMINE EXAMINE NEXT DEPOSIT DEPOSIT NEXT

TS ϕ 3 SF
RUN = ϕ

SET KEY ACTIVE	SET KEY ACTIVE
START RUN	START RUN
FORCE FETCH $\phi \rightarrow IR$ ADSW \rightarrow OA, MO PC	FORCE FETCH $\phi \rightarrow IR$ PC \rightarrow OA, MO
SM (READ)	SM (READ)
NOP	NOP
WAIT FOR RD RST & CP ACT (1)	WAIT FOR RD RST & CP ACT (1)
MDL \rightarrow MI I \rightarrow FETCH	MDL \rightarrow MI I \rightarrow FETCH

RUN = ϕ &
ANY TS OR MS
EXCEPT
TS ϕ 3 . SF

CONTINUE RESTART
START RUN

TS ϕ 3 . SF
RUN = ϕ

CONTINUE WITH
INSTRUCTION IN
PROGRESS

SET KEY ACTIVE	SET KEY ACTIVE	SET KEY ACTIVE	SET KEY ACTIVE	SET KEY ACTIVE
START RUN	START RUN	START RUN	START RUN	START RUN
FORCE FETCH $\phi \rightarrow IR$	FORCE FETCH $\phi \rightarrow IR$ ADSW \rightarrow MO, OA	FORCE FETCH $\phi \rightarrow IR$ OA + I \rightarrow MO, OA	FORCE FETCH $\phi \rightarrow IR$ ADSW \rightarrow MO, OA	FORCE FORCE $\phi \rightarrow IR$ A + I \rightarrow MO, OA
	SM (READ)	SM (READ)	SM (WRITE)	SM (WRITE)
DSW \rightarrow MO SET XSW IN PROG	SET STOP TS RUN	SET STOP TS RUN	SET STOP TS RUN MO \rightarrow MDL WAIT FOR ADR ACK & CP ACT (1) DSW \rightarrow MO I \rightarrow MRLS	SET STOP TS RUN MO \rightarrow MDL WAIT FOR ADR ACK & CP ACT (1) DSW \rightarrow MO I \rightarrow MRLS
MO \rightarrow MDL MDL \rightarrow MI	MDL \rightarrow MI	MDL \rightarrow MI	MO \rightarrow MDL MDL \rightarrow MI	MO \rightarrow MDL MDL \rightarrow MI
I \rightarrow FETCH	$\phi \rightarrow$ RUN	$\phi \rightarrow$ RUN	$\phi \rightarrow$ RUN	$\phi \rightarrow$ RUN

CONTINUE WITH
INSTRUCTION
JUST FETCHED

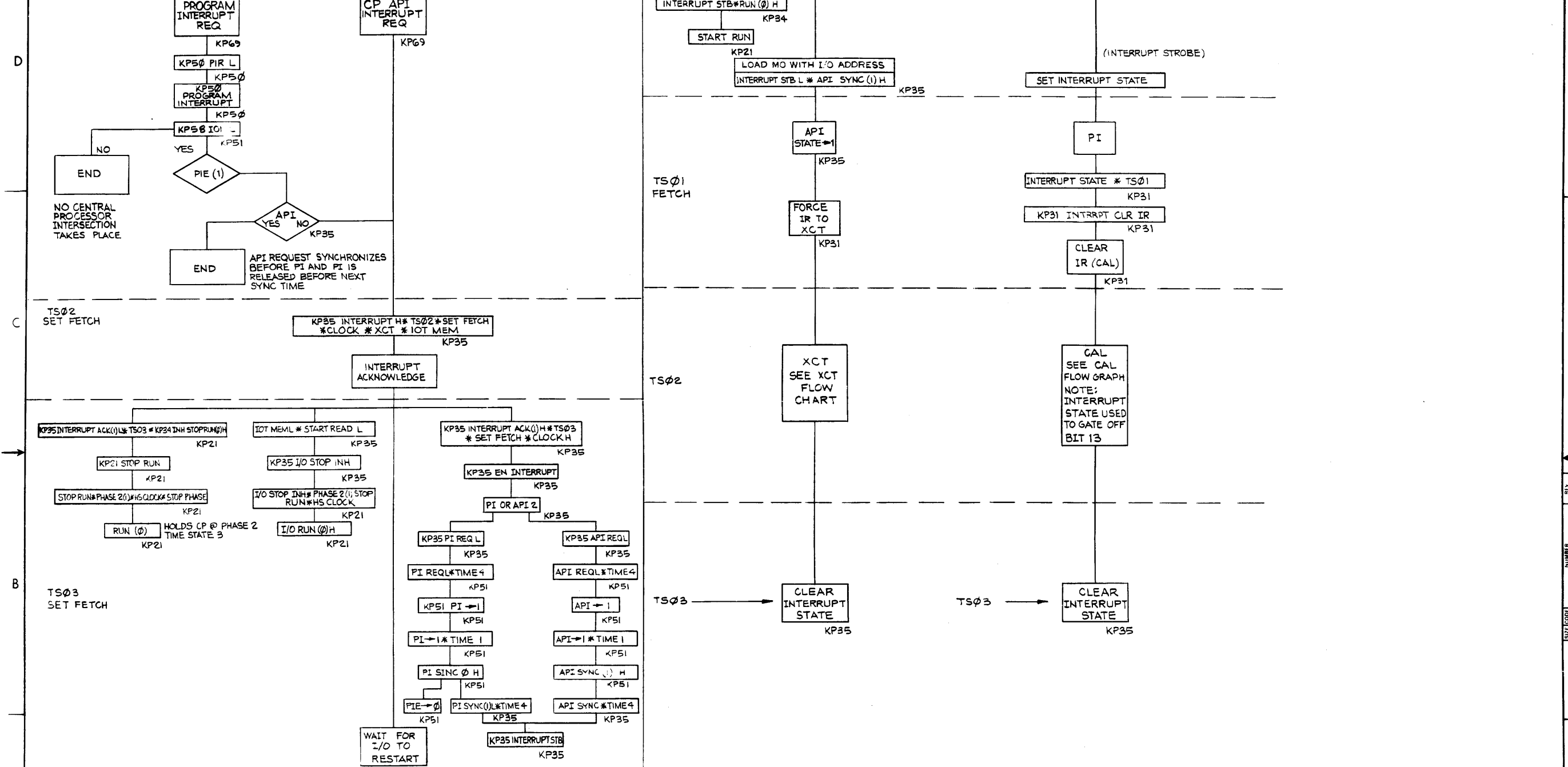
DO INSTR IN DSW
XSW IN PROG WILL
CAUSE $\phi \rightarrow$ RUN
WHEN TS ϕ 3 . SF.
 $\phi \rightarrow$ RUN

DRN. <i>F. Hill</i>	DATE <i>2/2/75</i>	FIRST USED ON	PDP15-C	NO. <i>0000</i>
CHK'D BY <i>C. Hill</i>	DATE <i>2/2/75</i>	TITLE	KEY FLOW	
PRG. ENG. <i>F. Hill</i>	DATE <i>2/2/75</i>	REV.		
PROD. <i>F. Hill</i>	DATE <i>2/2/75</i>	SCALE		
NEXT NUMBER ASSY.		NO. <i>0000</i>	NUMBER	REV.
		B-DR-KP15-C	DFD KP15-C-73	
		SHEET 1	OF 1	

REV. CHANGE NO. DATE

DEC FORM NO. DFD 1000

This drawing and specifications herein are the property of Digital Equipment Corporation and shall not be reproduced or copied or used in whole or in part as the basis for the manufacture or sale of items without written permission. COPYRIGHT © 1975 DIGITAL EQUIPMENT CORP.



REV	CHANGE NO	DATE
1	KPI5-C-01/001	A
2	F DOLL	7 Oct 75

FIRST USED ON OPTION / MODEL PDP15-C

DO NOT SCALE DRAWING

UNLESS OTHERWISE SPECIFIED DIMENSION IN INCHES

TOLERANCES
 DECIMALS FRACTIONS ANGLES
 ± .005 ± 1/64 ± 0°30'

FINAL SURFACE QUALITY
 REMOVE BURRS AND BREAK SHARP CORNERS

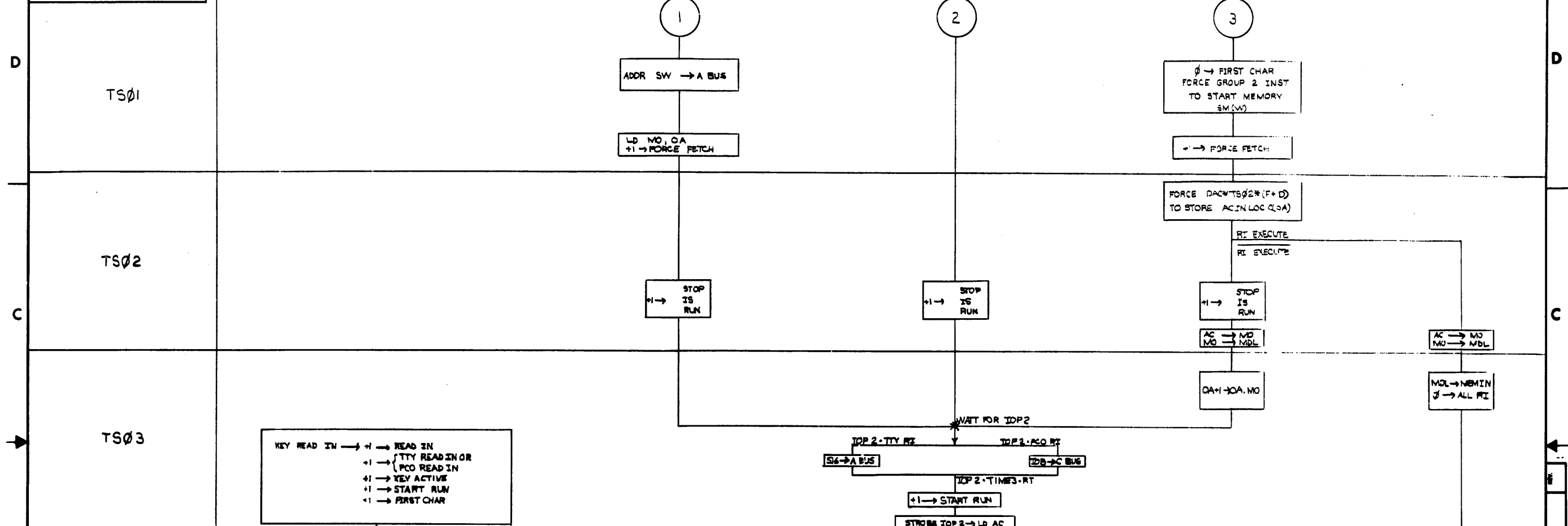
MATERIAL: + +

FINISH: + +

QTY.	DESCRIPTION	PART NO.	ITEM NO.
PARTS LIST			
DRN: <i>Stucking</i> DATE: 2-11-75		digital EQUIPMENT CORPORATION MAYNARD MASSACHUSETTS	
CHKD: <i>W. Stucking</i> DATE: 3/1/75			
ENG: <i>W. Stucking</i> DATE: 2/23/75		TITLE INTERRUPT FLOW GRAPH	
PROJ. ENG: <i>W. Stucking</i> DATE: 2/23/75			
PROD: <i>W. Stucking</i> DATE: 3/1/75		NEXT HIGHER ASSY B-DD-KPI5-C	
SCALE: + +	SHEET: 1 OF 1	SIZE CODE: DFD	NUMBER: KPI5-C-74
		REV: A	

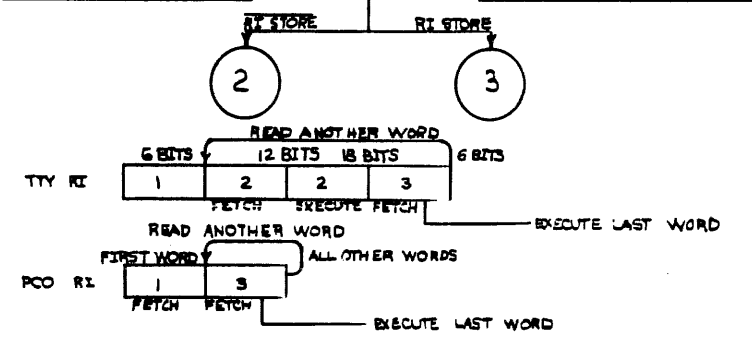
REV A DFD KPI5-C-74

"THIS DRAWING AND SPECIFICATIONS, HEREIN, ARE THE PROPERTY OF DIGITAL EQUIPMENT CORPORATION AND SHALL NOT BE REPRODUCED OR COPIED OR USED IN WHOLE OR IN PART AS THE BASIS FOR THE MANUFACTURE OR SALE OF ITEMS WITHOUT WRITTEN PERMISSION. COPYRIGHT © 1975, DIGITAL EQUIPMENT CORPORATION"



KEY READ IN → +1 → READ IN
 +1 → TTY READ IN OR PCO READ IN
 +1 → KEY ACTIVE
 +1 → START RUN
 +1 → FIRST CHAR

NOTES:
 1. RI EXECUTE SET BY (PCO RI · SKIP) V (TTY RI · HOLE7)
 2. RI STORE = FIRST CHAR · EPCO RI V (TTY RI · THIRD CHAR)

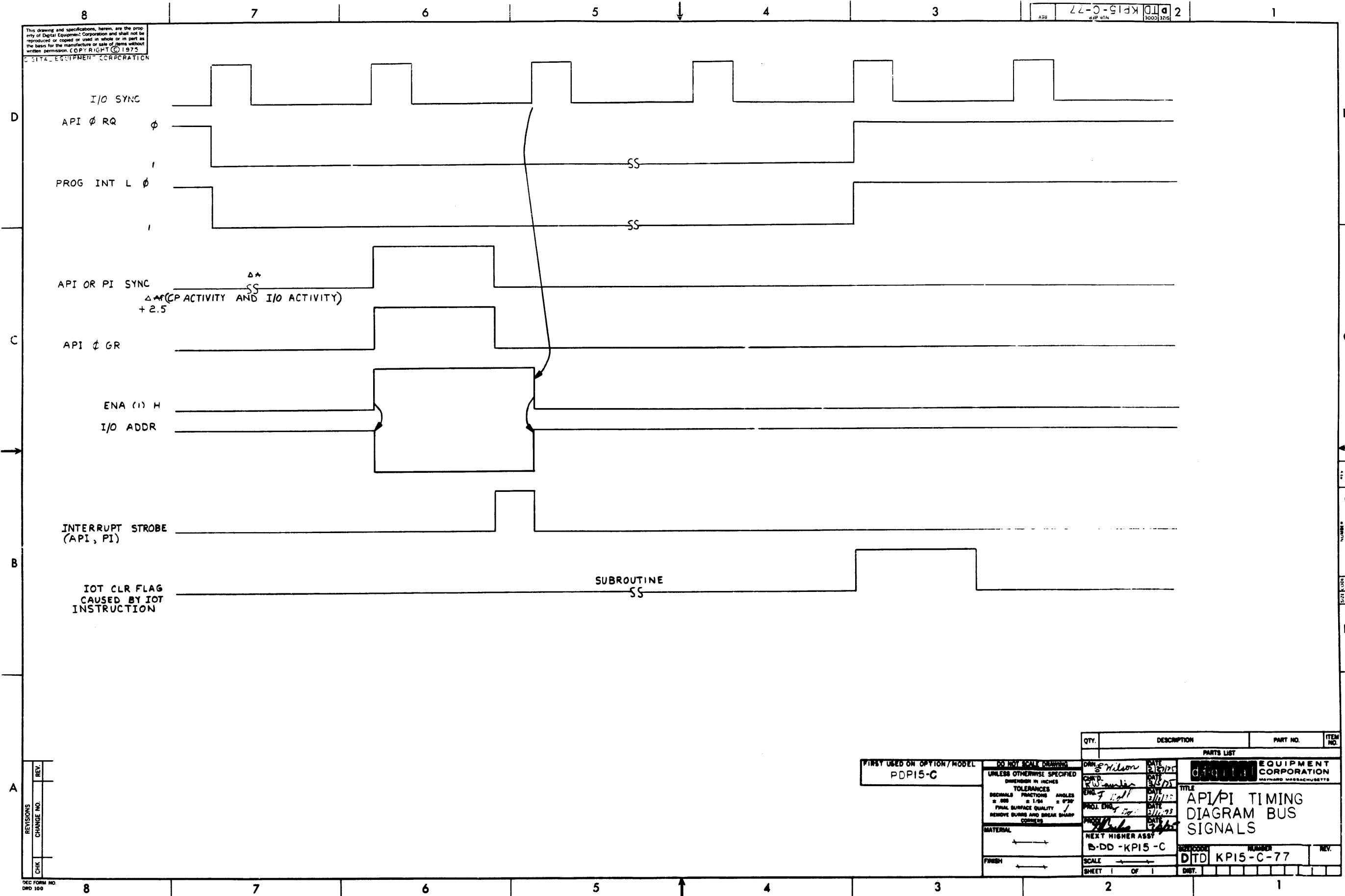


EXTENSION CHANGE NO. REV.

DRN. <i>J. Rouben</i> 3/7/75	FIRST USED ON	00-0001
CHKD. <i>W. C. ...</i> 3/10/75	KP15-C	
ENG. <i>J. D. ...</i> 3/22/75	TITLE	
PROJ. ENG. <i>J. D. ...</i> 3/22/75	READ IN FLOW	
PROD. <i>...</i> 3/22/75		
NEXT HIGHER ASSY.		
B-00-KP15-C	SIZE	NUMBER
SCALE	D FD	REV.
SHEET 1 OF 1	UNIT	

This drawing and specifications, herein, are the property of Digital Equipment Corporation and shall not be reproduced or copied or used in whole or in part as the basis for the manufacture or sale of items without written permission. COPYRIGHT © 1975
DIGITAL EQUIPMENT CORPORATION

REV. 2
DITD KP15-C-77



DITD KP15-C-77

REV.	
CHANGE NO.	
CHK	

FIRST USED ON OPTION/MODEL
PDP15-C

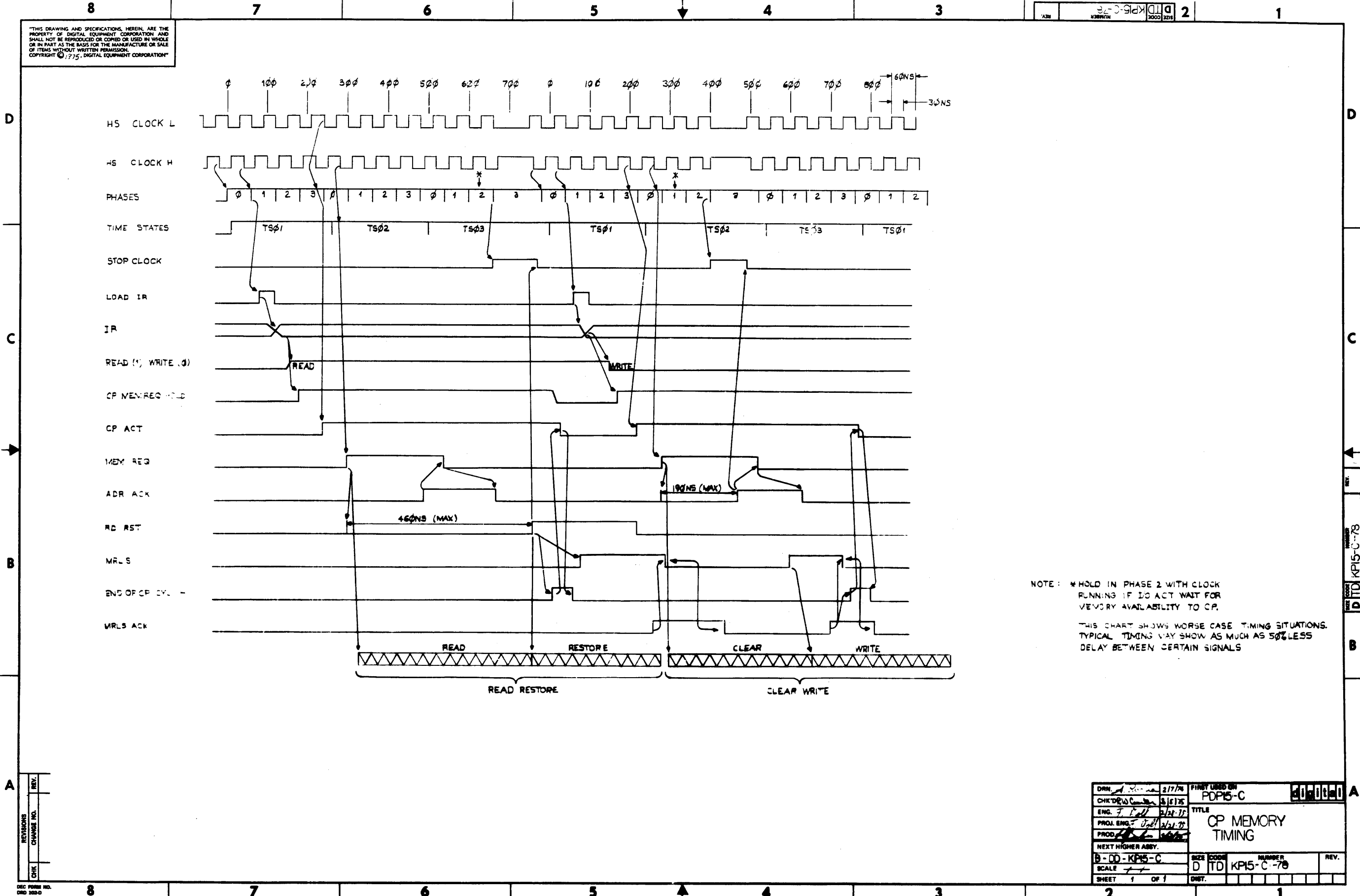
DO NOT SCALE DRAWING
UNLESS OTHERWISE SPECIFIED
DIMENSION IN INCHES
TOLERANCES
DECIMALS FRACTIONS ANGLES
± .005 ± 1/64 ± 0°30'
FINAL SURFACE QUALITY
REMOVE BURRS AND BREAK SHARP CORNERS
MATERIAL
FINISH

QTY.	DESCRIPTION	PART NO.	ITEM NO.
PARTS LIST			
DRW: <i>Wilson</i> DATE: 3/12/75 CHD: <i>Wilson</i> DATE: 3/12/75 ENG: <i>Wilson</i> DATE: 3/12/75 PROJ. ENGR: <i>Wilson</i> DATE: 3/12/75 DATE: 3/12/75			
TITLE API/PI TIMING DIAGRAM BUS SIGNALS		EQUIPMENT CORPORATION MAYFIELD MASSACHUSETTS	
NEXT HIGHER ASSY B-DD-KP15-C		NUMBER DITD KP15-C-77	
SCALE SHEET 1 OF 1		REV.	

DEC FORM NO. DRD 100

"THIS DRAWING AND SPECIFICATIONS HEREIN ARE THE PROPERTY OF DIGITAL EQUIPMENT CORPORATION AND SHALL NOT BE REPRODUCED OR COPIED OR USED IN WHOLE OR IN PART AS THE BASIS FOR THE MANUFACTURE OR SALE OF ITEMS WITHOUT WRITTEN PERMISSION. COPYRIGHT © 1975, DIGITAL EQUIPMENT CORPORATION"

REV. 2
D TD KP15-C-78
SIZE CODE
NUMBER



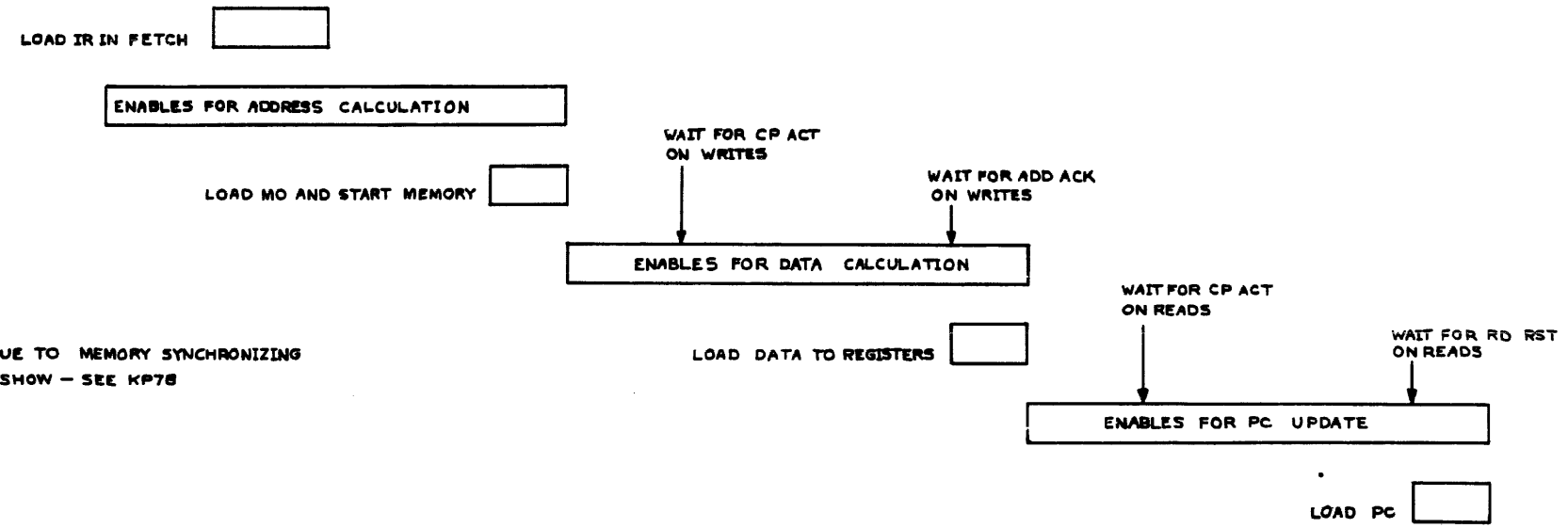
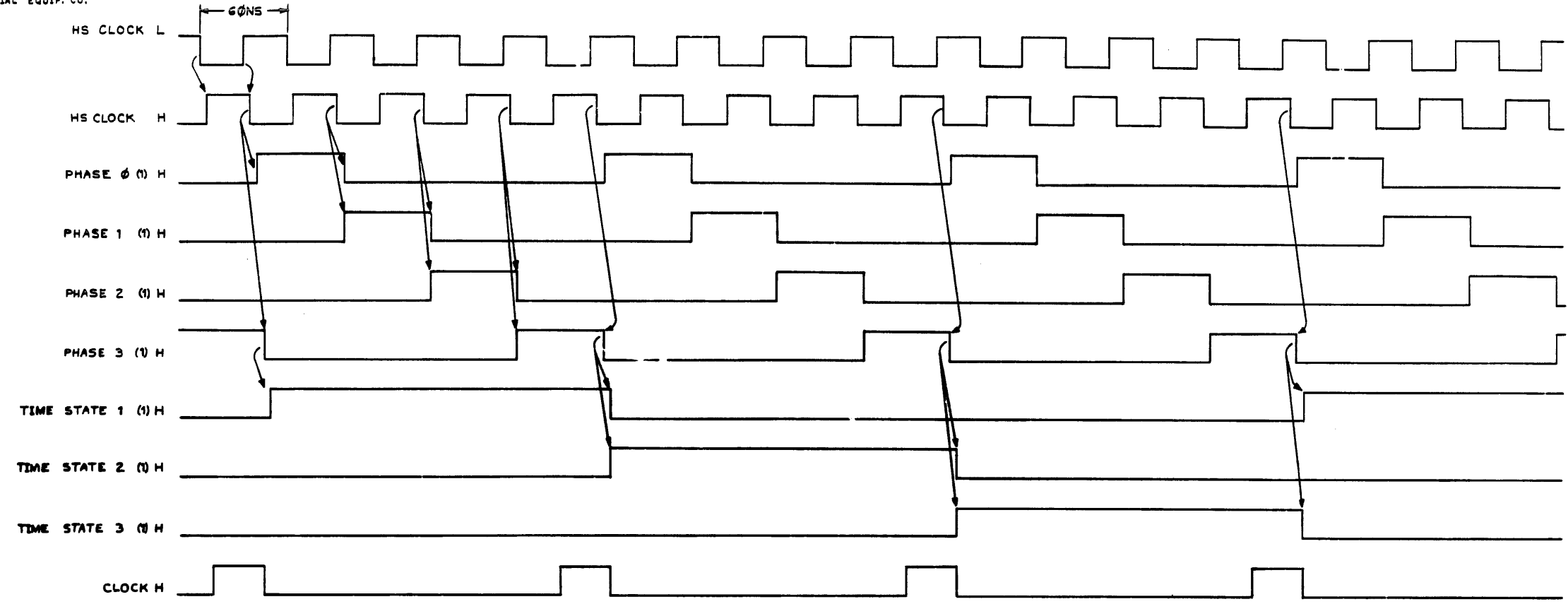
NOTE: *HOLD IN PHASE 2 WITH CLOCK RUNNING IF DO NOT WAIT FOR MEMORY AVAILABILITY TO CP. THIS CHART SHOWS WORSE CASE TIMING SITUATIONS. TYPICAL TIMING MAY SHOW AS MUCH AS 50% LESS DELAY BETWEEN CERTAIN SIGNALS

DRN. <i>[Signature]</i> 2/17/78	FIRST USED ON	Digital
CHK'D BY <i>[Signature]</i> 2/15/78	PDP15-C	
ENG. <i>[Signature]</i> 2/21/78	TITLE	CP MEMORY TIMING
PROJ. ENG. <i>[Signature]</i> 2/21/78		
PROD. <i>[Signature]</i> 2/21/78		
NEXT HIGHER ASSY.		
B-00-KP15-C	SIZE CODE	NUMBER
SCALE	D TD	KP15-C-78
SHEET 1 OF 1	DIST.	REV.

REV.	
CHG.	
CHK.	

DEC FORM NO. 010 1950

This drawing and specifications, herein, are the property of Digital Equipment Corporation and shall not be reproduced or copied or used in whole or in part as the basis for the manufacture or sale of items without written permission. COPYRIGHT © 1975
DIGITAL EQUIP. CO.



NOTE: DELAYS DUE TO MEMORY SYNCHRONIZING ARE NOT SHOW - SEE KP78

REVISIONS	REV.
CHANGE NO.	
CHK	

FIRST USED ON OPTION/MODEL
PDP15-C

DO NOT SCALE DRAWING
UNLESS OTHERWISE SPECIFIED
DIMENSION IN INCHES
TOLERANCES
DECIMALS FRACTIONS ANGLES
± .001 ± 1/64 ± 90°
FINAL SURFACE QUALITY
REMOVE BURRS AND BREAK SHARP CORNERS

QTY.	DESCRIPTION	PART NO.	ITEM NO.
PARTS LIST			
DRAWN: <i>De. O'Leary</i>		DATE: 12/17/75	
CHECKED: <i>[Signature]</i>		DATE: 1/16/76	
ENG: <i>F. Bell</i>		DATE: 3/2/75	
PROL. ENG: <i>[Signature]</i>		DATE: 1/23/76	
MATERIAL: <i>[Signature]</i>		DATE: 1/23/76	
NEXT HIGHER ASSY: B-DD-KP15-C			
SCALE: <i>[Signature]</i>		DRAWING NO.: DTD KP15-C-79	
FINISH: <i>[Signature]</i>		REV.:	
SHEET 1 OF 1		REV.:	

TITLE
CP TIMING - COMMON EVENTS

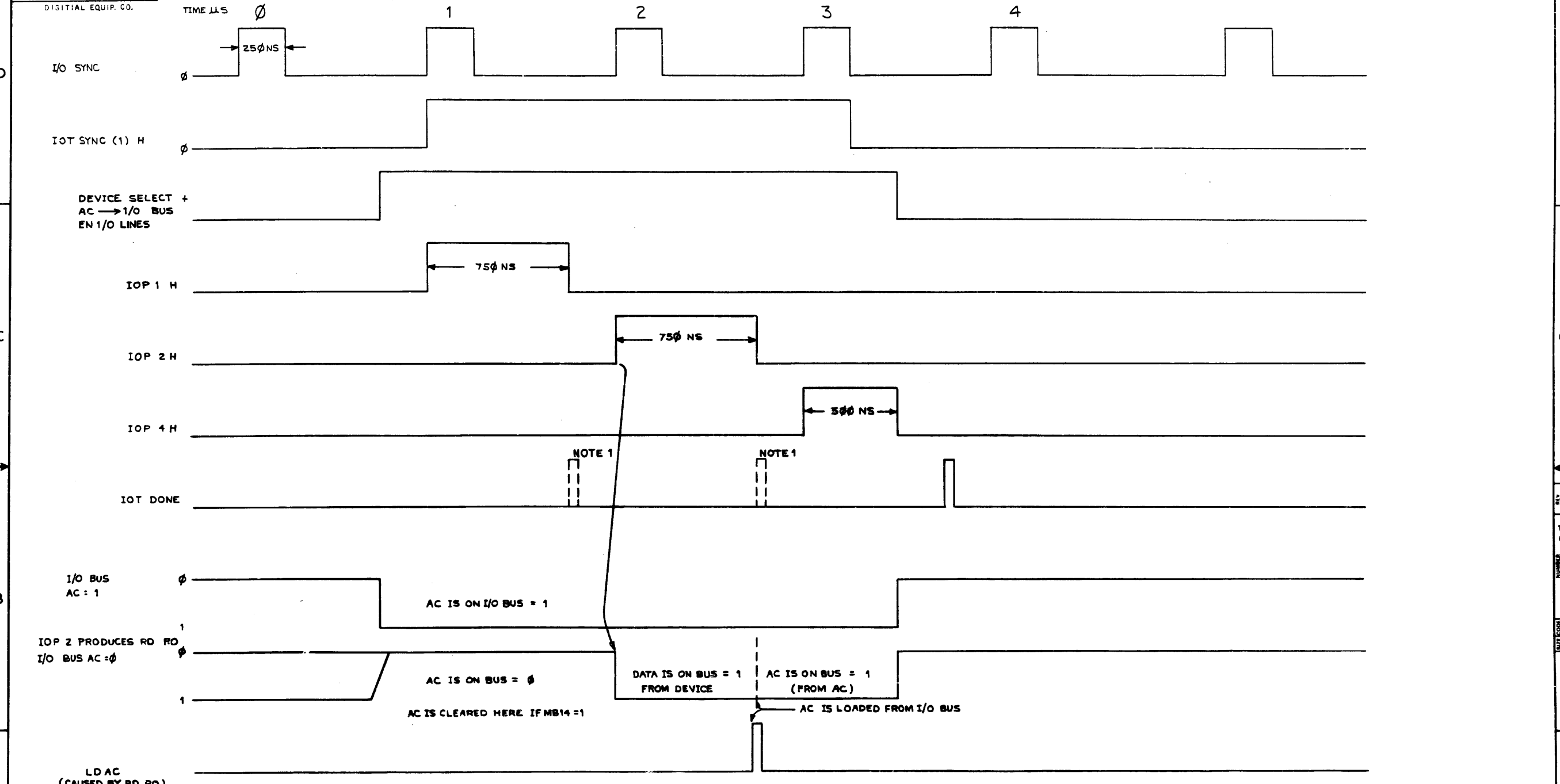
Drawing No. DTD KP15-C-79

REV. 2
DATE CODE DTD
PART NO. KP15-C-79

This drawing and specifications, herein, are the property of Digital Equipment Corporation and shall not be reproduced or copied or used in whole or in part as the basis for the manufacture or sale of items without written permission. COPYRIGHT © 1975

DIGITAL EQUIP. CO.

REV. 2
DITD KP15-C-80



NOTE: 1. IOT DONE IS ISSUED WITH LAST IOP PULSE

REV.	
CHANGE NO.	
CHK	

FIRST USED ON OPTION/MODEL
PDP15-C

DO NOT SCALE DRAWING
UNLESS OTHERWISE SPECIFIED
DIMENSIONS IN INCHES
TOLERANCES
DECIMALS FRACTIONS ANGLES
± .005 ± 1/64 ± 0°30'
FINISH SURFACE QUALITY
REMOVE BURRS AND BREAK SHARP CORNERS
MATERIAL
FINISH

QTY.	DESCRIPTION	PART NO.	ITEM NO.
PARTS LIST			
DRN	DATE	EQUIPMENT CORPORATION	
CHKD	DATE	MAYNARD, MASSACHUSETTS	
ENG	DATE	TITLE	
PROJ ENR	DATE	IOT INSTRUCTION	
PROJ	DATE	TIMING DIAGRAM	
NEXT HIGHER ASSY		BUS SIGNAL	
B-DD-KP15-C		DITD KP15-C-80	
SCALE			
SHEET 1	OF 1		

This drawing and specifications, herein, are the property of Digital Equipment Corporation and shall not be reproduced or copied or used in whole or in part as the basis for the manufacture or sale of items without written permission. COPYRIGHT © 1976

DIGITAL EQUIP. CORP.

REV. A NUMBER KPI5-C-101 SIZE CODE KWL 2 1

B

B



FIRST USED ON OPTION MODEL	QTY.	DESCRIPTION	PART NO.	ITEM NO.
KPI5-C				
PARTS LIST				
DRN. <i>Bill Honey</i>	DATE 12 Jan 76	digital EQUIPMENT CORPORATION <small>MAYNARD, MASSACHUSETTS</small> TITLE KPI5-C WIRE LIST		
CHK'D <i>Bill Honey</i>	DATE 12 Jan 76			
ENG.	DATE			
PROJ. ENG.	DATE			
PROD. <i>1</i>	DATE			
NEXT HIGHER ASSEMBLY				
D-AD-7010815-0-0		SIZE CODE KWL	NUMBER KPI5-C-101	REV. A
SCALE <i>1/2"</i>				
SHEET 1 OF 1		DIST.		

REVISIONS	REV.	1
	CHANGE NO.	KPI5-C-101
CHK	1	

4 3 2 1

8

7

6

5

4

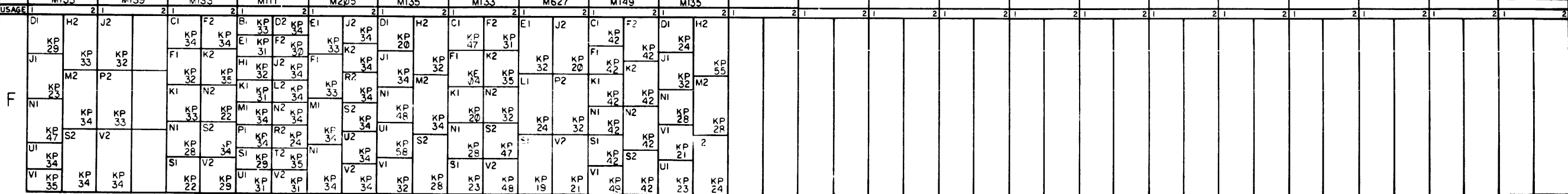
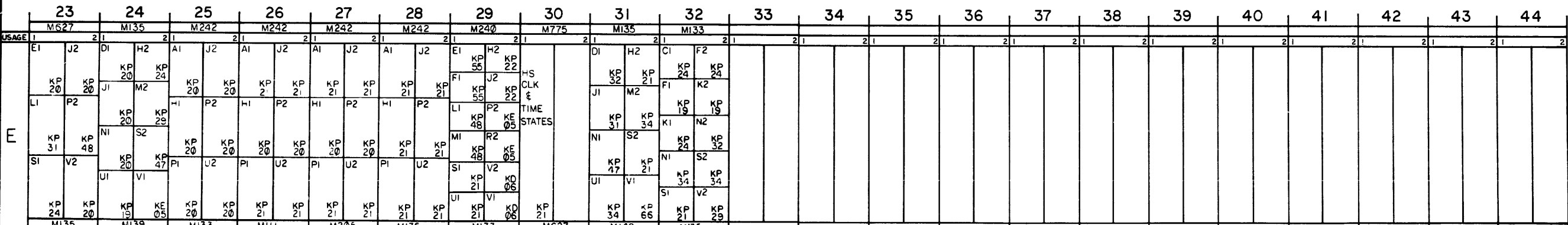
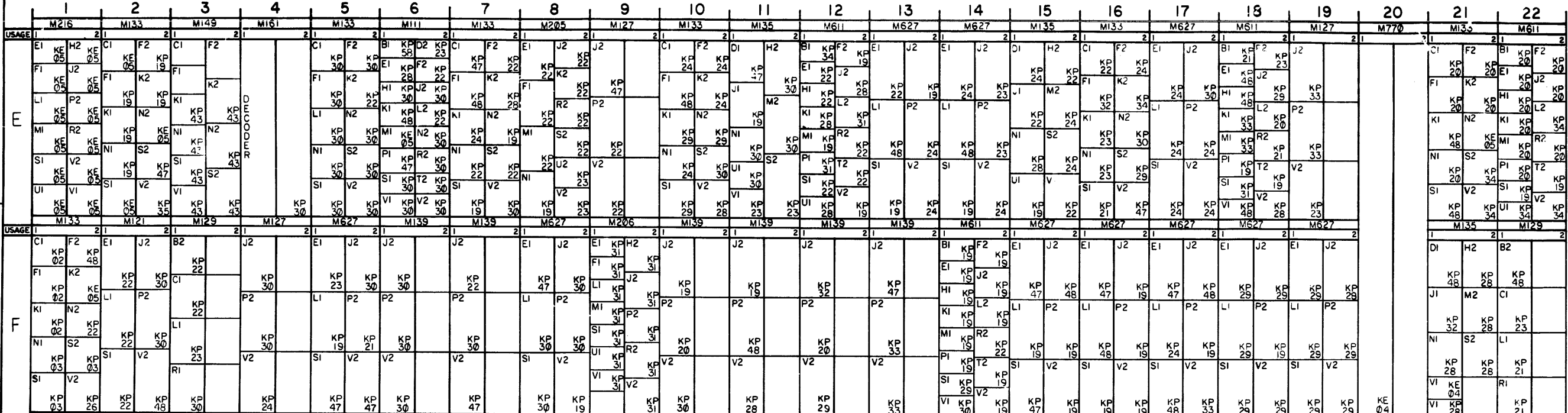
3

201-C-Std. DWG 2

1

This drawing and specifications, herein, are the property of Digital Equipment Corporation and shall not be reproduced or copied or used in whole or in part as the basis for the manufacture or sale of items without written permission. COPYRIGHT © 1975

DIGITAL EQUIP. CORP.



REV.	CHG.	NO.	DATE	BY
1	M135, C, 0000-1	4	2/24/75	J. D. L.
2	F DULL			J. D. L.
3	F DULL			J. D. L.

FIRST USED ON OPTION / MODEL KPI5-C	DO NOT SCALE DRAWING UNLESS OTHERWISE SPECIFIED DIMENSION IN INCHES TOLERANCES DECIMALS = .005 FRACTIONS = 1/64 ANGLES = 0°30' FINAL SURFACE QUALITY REMOVE BURRS AND BREAK SHARP CORNERS	CHK'D. DATE 4/1/75 ENG. DATE 4/1/75 PROJ. ENG. DATE 4/1/75 DATE 4/1/75	DATE 4/1/75 DATE 4/1/75 DATE 4/1/75 DATE 4/1/75
MATERIAL		NEXT HIGHER ASSY B-DD-KPI5-C	
FINISH		SCALE	
SHEET 1 OF 4		TITLE MODULE UTILIZATION	
		SIZE CODE DMU	
		NUMBER KPI5-C-102	
		REV. A	

8

7

6

5

4

3

2

1

KPI5-C-102 A

This drawing and specifications, herein, are the property of Digital Equipment Corporation and shall not be reproduced or copied in whole or in part for any purpose without the written permission of Digital Equipment Corporation. COPYRIGHT © 1975

DIGITAL EQUIP. CORP.

NOTES:

ON XVM SYSTEMS
K07 K08 K09 ARE M5921'S
L03 J04 ARE M9-CYA'S

POWER FAIL OPTION

	1	2	3	4	5	6	7	8	9	10	11	12	13	14	15	16	17	18	19	20	21	22	
	M611	WP78	G827D	K303	M205	M113	M621	M621	M621	M622	M149	M149	M242	M242	M205	M602	M133	M133	M133	M112	M112	M112	
USAGE	2	2	2	2	2	2	2	2	2	2	2	2	2	2	2	2	2	2	2	2	2	2	
B	KE 05 EI 05 HI 05 KI 05 MI 05 PI 05 SI 05 UI 05	KE 05 EI 05 HI 05 KI 05 MI 05 PI 05 SI 05 UI 05	KE 05 EI 05 HI 05 KI 05 MI 05 PI 05 SI 05 UI 05	KE 05 EI 05 HI 05 KI 05 MI 05 PI 05 SI 05 UI 05	KE 05 EI 05 HI 05 KI 05 MI 05 PI 05 SI 05 UI 05	KE 05 EI 05 HI 05 KI 05 MI 05 PI 05 SI 05 UI 05	KE 05 EI 05 HI 05 KI 05 MI 05 PI 05 SI 05 UI 05	KE 05 EI 05 HI 05 KI 05 MI 05 PI 05 SI 05 UI 05	KE 05 EI 05 HI 05 KI 05 MI 05 PI 05 SI 05 UI 05	KE 05 EI 05 HI 05 KI 05 MI 05 PI 05 SI 05 UI 05	KE 05 EI 05 HI 05 KI 05 MI 05 PI 05 SI 05 UI 05	KE 05 EI 05 HI 05 KI 05 MI 05 PI 05 SI 05 UI 05	KE 05 EI 05 HI 05 KI 05 MI 05 PI 05 SI 05 UI 05	KE 05 EI 05 HI 05 KI 05 MI 05 PI 05 SI 05 UI 05	KE 05 EI 05 HI 05 KI 05 MI 05 PI 05 SI 05 UI 05	KE 05 EI 05 HI 05 KI 05 MI 05 PI 05 SI 05 UI 05	KE 05 EI 05 HI 05 KI 05 MI 05 PI 05 SI 05 UI 05	KE 05 EI 05 HI 05 KI 05 MI 05 PI 05 SI 05 UI 05	KE 05 EI 05 HI 05 KI 05 MI 05 PI 05 SI 05 UI 05	KE 05 EI 05 HI 05 KI 05 MI 05 PI 05 SI 05 UI 05	KE 05 EI 05 HI 05 KI 05 MI 05 PI 05 SI 05 UI 05	KE 05 EI 05 HI 05 KI 05 MI 05 PI 05 SI 05 UI 05	KE 05 EI 05 HI 05 KI 05 MI 05 PI 05 SI 05 UI 05
K	KE 05 EI 05 HI 05 KI 05 MI 05 PI 05 SI 05 UI 05	KE 05 EI 05 HI 05 KI 05 MI 05 PI 05 SI 05 UI 05	KE 05 EI 05 HI 05 KI 05 MI 05 PI 05 SI 05 UI 05	KE 05 EI 05 HI 05 KI 05 MI 05 PI 05 SI 05 UI 05	KE 05 EI 05 HI 05 KI 05 MI 05 PI 05 SI 05 UI 05	KE 05 EI 05 HI 05 KI 05 MI 05 PI 05 SI 05 UI 05	KE 05 EI 05 HI 05 KI 05 MI 05 PI 05 SI 05 UI 05	KE 05 EI 05 HI 05 KI 05 MI 05 PI 05 SI 05 UI 05	KE 05 EI 05 HI 05 KI 05 MI 05 PI 05 SI 05 UI 05	KE 05 EI 05 HI 05 KI 05 MI 05 PI 05 SI 05 UI 05	KE 05 EI 05 HI 05 KI 05 MI 05 PI 05 SI 05 UI 05	KE 05 EI 05 HI 05 KI 05 MI 05 PI 05 SI 05 UI 05	KE 05 EI 05 HI 05 KI 05 MI 05 PI 05 SI 05 UI 05	KE 05 EI 05 HI 05 KI 05 MI 05 PI 05 SI 05 UI 05	KE 05 EI 05 HI 05 KI 05 MI 05 PI 05 SI 05 UI 05	KE 05 EI 05 HI 05 KI 05 MI 05 PI 05 SI 05 UI 05	KE 05 EI 05 HI 05 KI 05 MI 05 PI 05 SI 05 UI 05	KE 05 EI 05 HI 05 KI 05 MI 05 PI 05 SI 05 UI 05	KE 05 EI 05 HI 05 KI 05 MI 05 PI 05 SI 05 UI 05	KE 05 EI 05 HI 05 KI 05 MI 05 PI 05 SI 05 UI 05	KE 05 EI 05 HI 05 KI 05 MI 05 PI 05 SI 05 UI 05	KE 05 EI 05 HI 05 KI 05 MI 05 PI 05 SI 05 UI 05	
L	KE 05 EI 05 HI 05 KI 05 MI 05 PI 05 SI 05 UI 05	KE 05 EI 05 HI 05 KI 05 MI 05 PI 05 SI 05 UI 05	KE 05 EI 05 HI 05 KI 05 MI 05 PI 05 SI 05 UI 05	KE 05 EI 05 HI 05 KI 05 MI 05 PI 05 SI 05 UI 05	KE 05 EI 05 HI 05 KI 05 MI 05 PI 05 SI 05 UI 05	KE 05 EI 05 HI 05 KI 05 MI 05 PI 05 SI 05 UI 05	KE 05 EI 05 HI 05 KI 05 MI 05 PI 05 SI 05 UI 05	KE 05 EI 05 HI 05 KI 05 MI 05 PI 05 SI 05 UI 05	KE 05 EI 05 HI 05 KI 05 MI 05 PI 05 SI 05 UI 05	KE 05 EI 05 HI 05 KI 05 MI 05 PI 05 SI 05 UI 05	KE 05 EI 05 HI 05 KI 05 MI 05 PI 05 SI 05 UI 05	KE 05 EI 05 HI 05 KI 05 MI 05 PI 05 SI 05 UI 05	KE 05 EI 05 HI 05 KI 05 MI 05 PI 05 SI 05 UI 05	KE 05 EI 05 HI 05 KI 05 MI 05 PI 05 SI 05 UI 05	KE 05 EI 05 HI 05 KI 05 MI 05 PI 05 SI 05 UI 05	KE 05 EI 05 HI 05 KI 05 MI 05 PI 05 SI 05 UI 05	KE 05 EI 05 HI 05 KI 05 MI 05 PI 05 SI 05 UI 05	KE 05 EI 05 HI 05 KI 05 MI 05 PI 05 SI 05 UI 05	KE 05 EI 05 HI 05 KI 05 MI 05 PI 05 SI 05 UI 05	KE 05 EI 05 HI 05 KI 05 MI 05 PI 05 SI 05 UI 05	KE 05 EI 05 HI 05 KI 05 MI 05 PI 05 SI 05 UI 05	KE 05 EI 05 HI 05 KI 05 MI 05 PI 05 SI 05 UI 05	

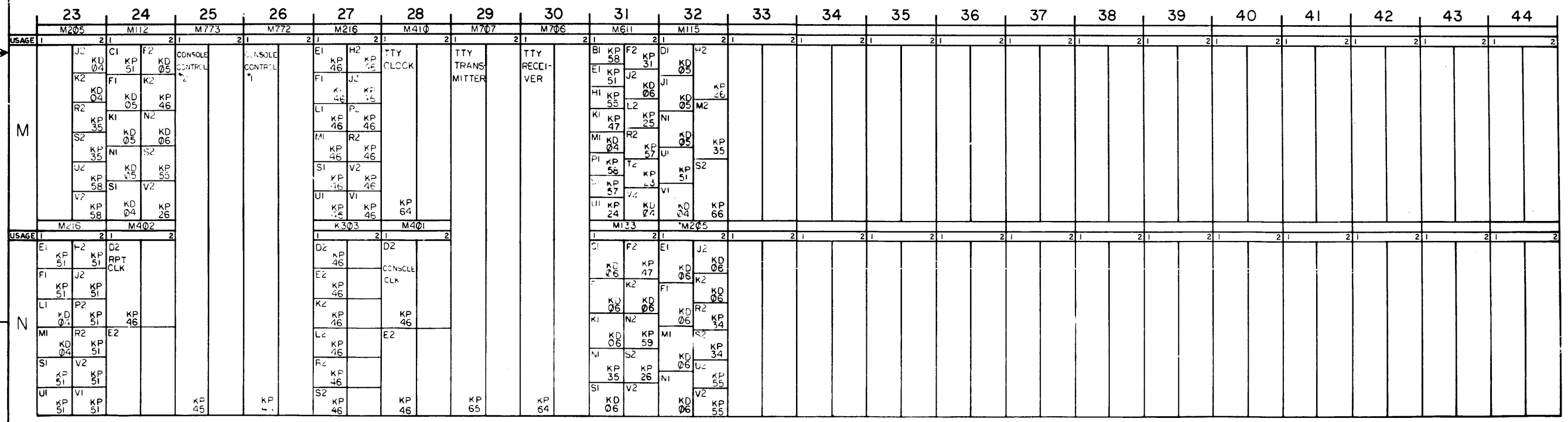
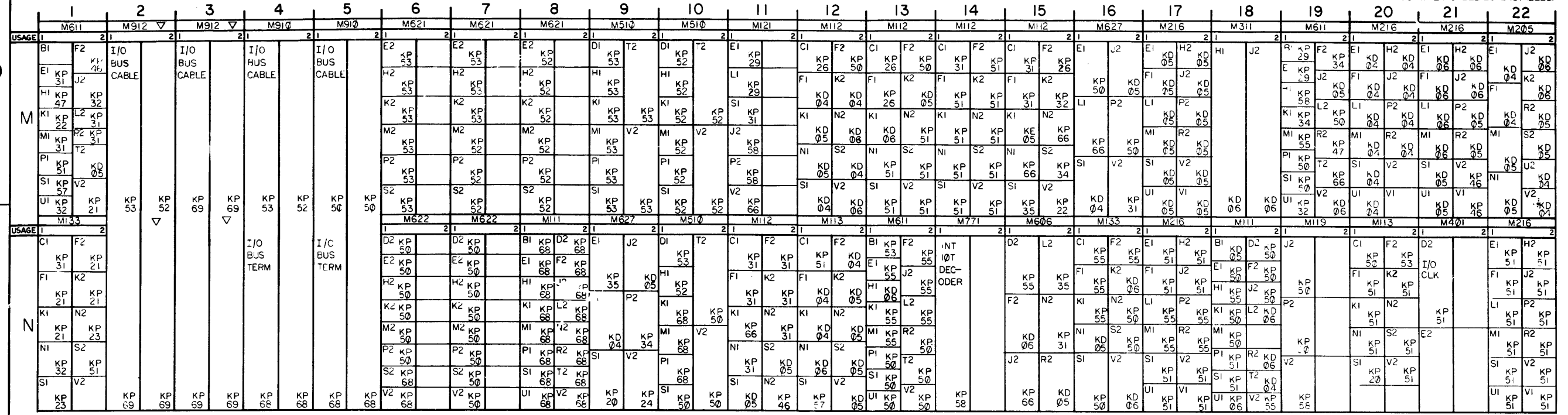
REV.	
CHG.	

FIRST USED ON OPTION / MODEL KPI5-C	DO NOT SCALE DRAWING UNLESS OTHERWISE SPECIFIED DIMENSION IN INCHES TOLERANCES DECIMALS FRACTIONS ANGLES = .005 = 1/64 = 0°30' FINAL SURFACE QUALITY REMOVE BURRS AND BREAK SHARP CORNERS	DRN: <i>E. DeVries</i> DATE: 4-3-75 CHK'D: <i>R. J. Cawston</i> DATE: 4-4-75 ENG: <i>R. J. Cawston</i> DATE: 4-4-75 PROJ. ENG: <i>R. J. Cawston</i> DATE: 4-4-75 PROD: <i>R. J. Cawston</i> DATE: 4-4-75	DATE: 4-3-75 DATE: 4-4-75 DATE: 4-4-75 DATE: 4-4-75	digital EQUIPMENT CORPORATION MAYNARD, MASSACHUSETTS
		NEXT HIGHER ASSY B-DD-KPI5-C		TITLE MODULE UTILIZATION
		SCALE SHEET 3 OF 4		SIZE CODE DMU
				NUMBER KPI5-C-102
				REV. A

This drawing and specifications, herein, are the property of Digital Equipment Corporation and shall not be reproduced or copied or used in whole or in part as the basis for the manufacture or sale of items without written permission. COPYRIGHT © 1975

DIGITAL EQUIP. CORP.

NOTES: IF NO I/O BUS CABLE INSTALLED, 4 M909'S WILL BE USED. M909'S SHOULD BE MOVED TO END OF BUS WHEN CABLE IS INSTALLED.



REV.	CHANGE NO.

FIRST USED ON OPTION / MODEL
KPI5-C

UNLESS OTHERWISE SPECIFIED DIMENSION IN INCHES TOLERANCES DECIMALS FRACTIONS ANGLES ± .005 ± 1/64 ± 0°30'	DO NOT SCALE DRAWING	DRN: R. J. Counter CHK'D: R. J. Counter ENG: R. J. Counter PROJ ENG: R. J. Counter PROJ: R. J. Counter	DATE: 4-3-75 DATE: 4-4-75 DATE: 4-4-75 DATE: 4-4-75 DATE: 4-4-75
MATERIAL	FINISH	NEXT HIGHER ASSY B-DD-KPI5-C	
SCALE: 1" = 1"		SHEET: 4 OF 4	

digital EQUIPMENT CORPORATION
MAYNARD, MASSACHUSETTS

MODULE UTILIZATION

SIZE CODE: DMU
NUMBER: KPI5-C-102
REV. A

REV. A KPI5-C-102

DIGITAL EQUIPMENT CORPORATION MAYNARD, MASSACHUSETTS.				QUANTITY / VARIATION			
PARTS LIST							
MADE BY R. CAUNTER		CHECKED R W Caunter		SECTION			
DATE 3/11/75		DATE 3/18/75		ISSUED SECT.			
ENG F. Dole		PROD T. R. King					
DATE 3/21/75		DATE 3/22/75					
ITEM NO.	DWG NO. / PART NO.	DESCRIPTION					
1	G8270	POWER SEQ DETECTOR	1				
2	K303	TIMER	2				
3	M002	LOGIC 1 SOURCE	1				
4	M111	INVERTERS	5				
5	M112	NOR GATES	13				
6	M113	NAND GATES	10				
7	M115	NAND GATES	2				
8	M119	NAND GATES	1				
9	M121	AND/NOR GATES	2				
10	M127	AND/NOR GATES	3				
11	M129	AND/NOR GATES	2				
12	M133	NAND GATES	19				
13	M135	NAND GATES	11				
14	M139	NAND GATES	7				
15	M149	NAND WIRED OR MATRIX	12				
16	M161	BINARY TO OCTAL DECODER	1				
17	M164	6 BIT PARALLEL ADDER	3				
18	M205	D FLIP-FLOPS	9				
19	M206	D FLIP-FLOPS	1				
20	M214	6 BIT STORAGE REGISTER	3				
21	M216	D FLIP-FLOPS	12				
22	M218	EAE MQ REGISTER	2				

TITLE	ASSY NO.	SIZE CODE	NUMBER	REV.	ECO NO.
KP15-C MODULE UTILIZATION	D-MU-KP15-C-102	A PL	KP15-C-102	A	KP15-C-00001
	SHEET 1 OF 3	DIST.			

DEC FORM DEC 16 (325) 1031-N870
DRA 110

DIGITAL EQUIPMENT CORPORATION MAYNARD, MASSACHUSETTS.				QUANTITY / VARIATION			
PARTS LIST							
MADE BY R. CAUNTER		CHECKED R W Caunter		SECTION			
DATE 3/11/75		DATE 3/18/75		ISSUED SECT.			
ENG F. Dole		PROD T. R. King					
DATE 3/21/75		DATE 3/22/75					
ITEM NO.	DWG NO. / PART NO.	DESCRIPTION					
45	M775	TIME STATE GENERATOR	1				
46	M909	TERMINATOR CARD	4				
47	M910	CP TERMINATOR CARD	4				
48	M966	TERMINATOR	2				
49	M078	TELETYPE CONNECTOR	1				
50	M501	SCHMITT	1				
51	1209636-12	CRYSTAL 300 BAND	1				

TITLE	ASSY NO.	SIZE CODE	NUMBER	REV.	ECO NO.
KP15-C MODULE UTILIZATION	D-MU-KP15-C-102	A PL	KP15-C-102	A	
	SHEET 3 OF 3	DIST.			

DEC FORM DEC 16-(325)-1031-N870
DRA 110

DIGITAL EQUIPMENT CORPORATION MAYNARD, MASSACHUSETTS.				QUANTITY / VARIATION			
PARTS LIST							
MADE BY R. CAUNTER		CHECKED R W Caunter		SECTION			
DATE 3/11/75		DATE 3/18/75		ISSUED SECT.			
ENG F. Dole		PROD T. R. King					
DATE 3/21/75		DATE 3/22/75					
ITEM NO.	DWG NO. / PART NO.	DESCRIPTION					
23	M219	STEP COUNTER & CONTROL	1				
24	M226	7 BIT REGISTER	18				
25	M227	AC SHIFTER	2				
26	M240	R-S FLIP-FLOPS	1				
27	M242	J-K FLIP-FLOPS	6				
28	M311	TAPPED DELAY LINES	1				
29	M401	VARIABLE CLOCK	2				
30	M402	PHOTO MOD CLOCK	1				
31	M410	VARIABLE CLOCK	1				
32	M510	I/O BUS RECEIVER	3				
33	M602	PULSE AMPLIFIERS	4				
34	M606	PULSE GENERATORS	1				
35	M611	HIGH-SPEED POWER INVERTERS	12				
36	M621	DATA BUS DRIVERS	6				
37	M622	I/O BUS DRIVERS	5				
38	M627	NAND POWER AMPLIFIERS	19				
39	M706	TELETYPE RECEIVER	1				
40	M707	TELETYPE TRANSMITTER	1				
41	M770	EAE CONTROL	1				
42	M771	INTERNAL IOT DECODER	1				
43	M772	CONSOLE CONTROL #1	1				
44	M773	CONSOLE CONTROL #2	1				

TITLE	ASSY NO.	SIZE CODE	NUMBER	REV.	ECO NO.
KP15-C MODULE UTILIZATION	D-MU-KP15-C-102	A PL	KP15-C-102	A	
	SHEET 2 OF 3	DIST.			

DEC FORM DEC 16-(325)-1031-N870
DRA 110

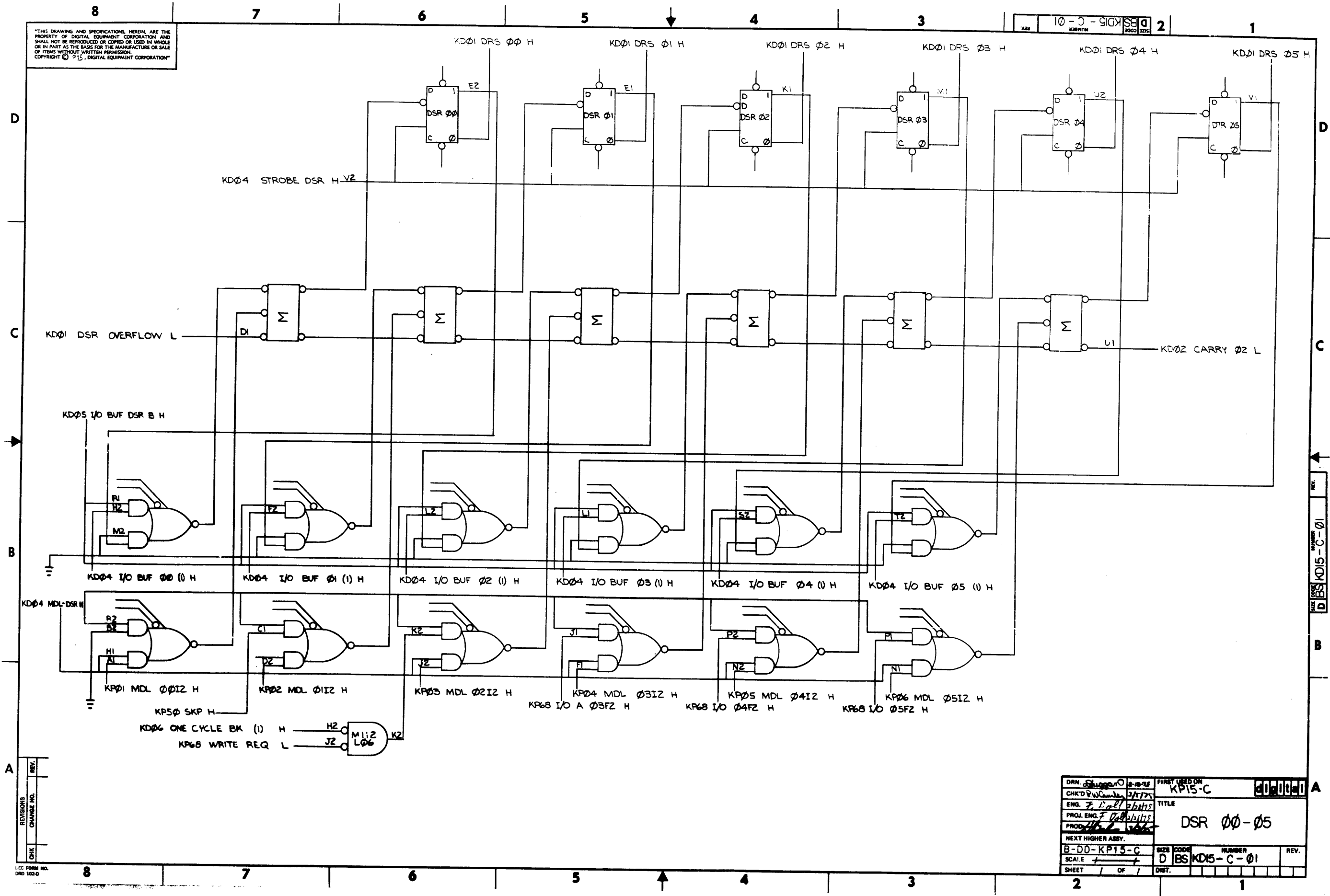
CUSTOMER PRINT SET				ELECTRICAL					CUSTOMER PRINT SET					
NO.	REV	DATE	DESCRIPTION	NO OF SHT	REV	DRAWING NO.	FIND NO.	NO.	REV	DATE	DESCRIPTION	NO OF SHT	REV	DATE
X			DSR 00-05	1	*	D-BS-KD15-C-01								
X			DSR 06-11	1	*	D-BS-KD15-C-02								
X			DSR 12-17	1	*	D-BS-KD15-C-03								
X			I/O BUS 00-04	1	*	D-BS-KD15-C-04								
X			I/O BUS 09-17	1	*	D-BS-KD15-C-05								
X			MSC DCH LOGIC	1	*	D-BS-KD15-C-06								
X			DETAILED TIMING SINGLE CYCLE IN-OUT TRANSFER	1	*	D-TD-KD15-0-07								
X			DETAILED TIMING 3 CYCLE DCH IN TRANSFER	1	*	D-TD-KD15-0-08								
X			DETAILED TIMING INC MB TRANSFER	1	*	D-TD-KD15-0-09								
X			DETAILED TIMING CYCLE DCH OUT TRANSFER	1	*	D-TD-KD15-0-10								
X			DCH INPUT TIMING DIAGRAM BUS SIGNALS	1	*	D-TD-KD15-0-11								
X			DCH OUTPUT TIMING DIAGRAM BUS SIGNALS	1	*	D-TD-KD15-0-12								
X			SINGLE CYCLE INPUT TIMING BUS SIGNALS	1	*	D-TD-KD15-0-13								
X			SINGLE CYCLE OUTPUT TIMING DIAGRAM BUS SIGNALS	1	*	D-TD-KD15-0-14								
X			INCREMENT MEMORY TIMING DIAGRAM BUS SIGNALS	1	*	D-TD-KD15-0-15								

CUSTOMER PRINT SET CODES
 X = PRINT OF DOCUMENT INCLUDED IN PRINT SET
 C = INCLUDES ALL PRINTS INDICATED ON DOCUMENT
 S = CONFIDENTIAL AUTHORIZED SIGNATURE REQUIRED

TITLE: KD15-C DATA CHANNEL
 SHEET 2 OF 2
 SIZE CODE: B DD
 NUMBER: KD15-C
 REV: A

"THIS DRAWING AND SPECIFICATIONS HEREIN ARE THE PROPERTY OF DIGITAL EQUIPMENT CORPORATION AND SHALL NOT BE REPRODUCED OR COPIED OR USED IN WHOLE OR IN PART AS THE BASIS FOR THE MANUFACTURE OR SALE OF ITEMS WITHOUT WRITTEN PERMISSION. COPYRIGHT © 1975, DIGITAL EQUIPMENT CORPORATION"

REV. 10-C-9101 2



REV.	
CHG.	
CHK.	
REVISIONS	
CHANGE NO.	

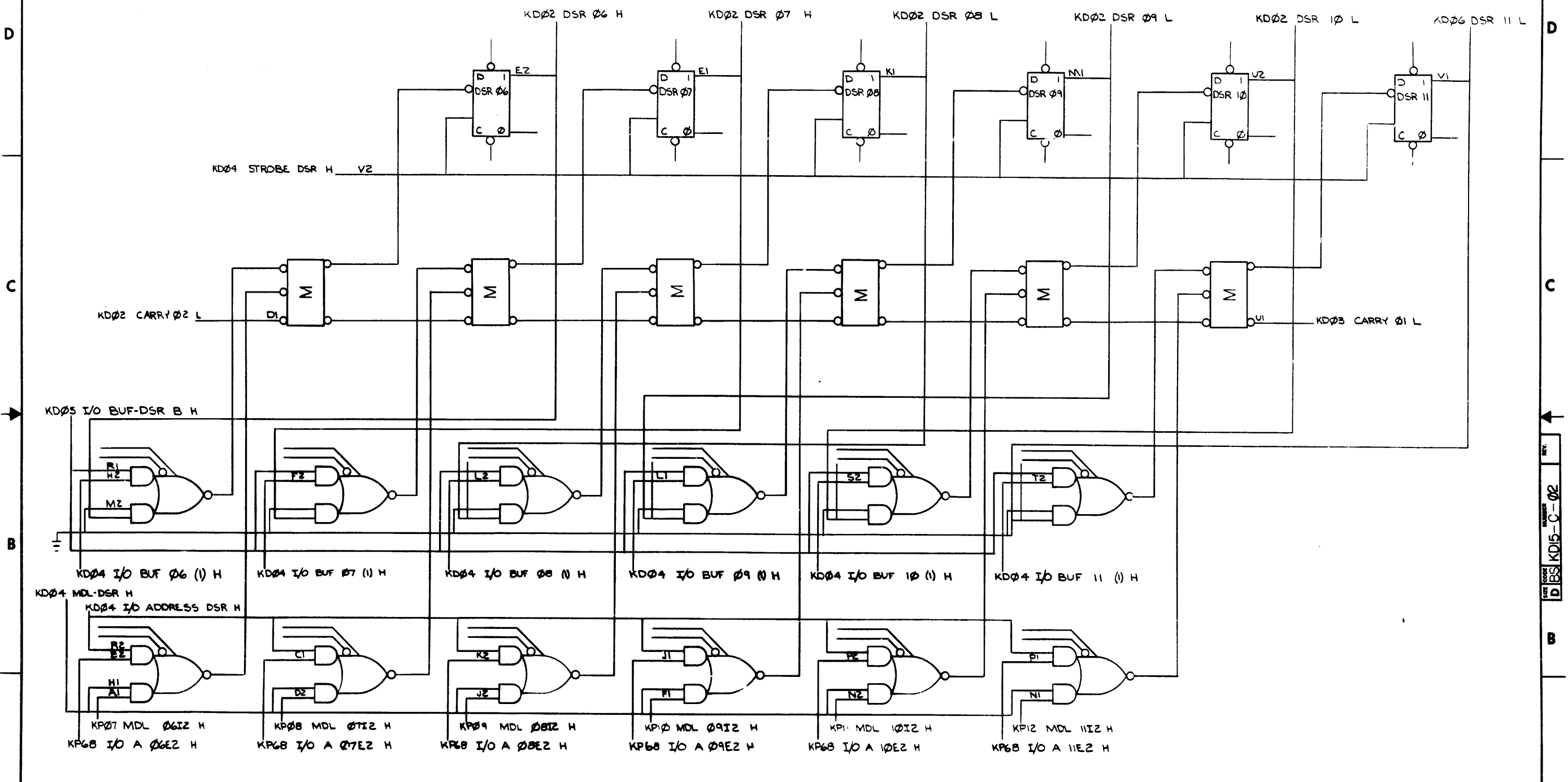
DRN. <i>[Signature]</i>	DATE <i>8-10-75</i>	FIRST USED ON	KP15-C
CHK'D <i>[Signature]</i>	DATE <i>7/17/75</i>	TITLE	DSR 00-05
ENG. <i>F. Callahan</i>			
PROJ. ENG. <i>F. Callahan</i>			
PROD. <i>[Signature]</i>			
NEXT HIGHER ASSY.		SIZE	NUMBER
SCALE <i>+</i>		D	BS KP15-C-01
SHEET	1 OF 1	DIST.	

REV. 10-C-9101

REV. 10-C-9101

REV. 10-C-9101

"THIS DRAWING AND SPECIFICATIONS, HEREIN, ARE THE PROPERTY OF DIGITAL EQUIPMENT CORPORATION AND SHALL NOT BE REPRODUCED OR COPIED OR USED IN WHOLE OR IN PART AS THE BASIS FOR THE MANUFACTURE OR SALE OF ITEMS WITHOUT WRITTEN PERMISSION. COPYRIGHT © 1975, DIGITAL EQUIPMENT CORPORATION"



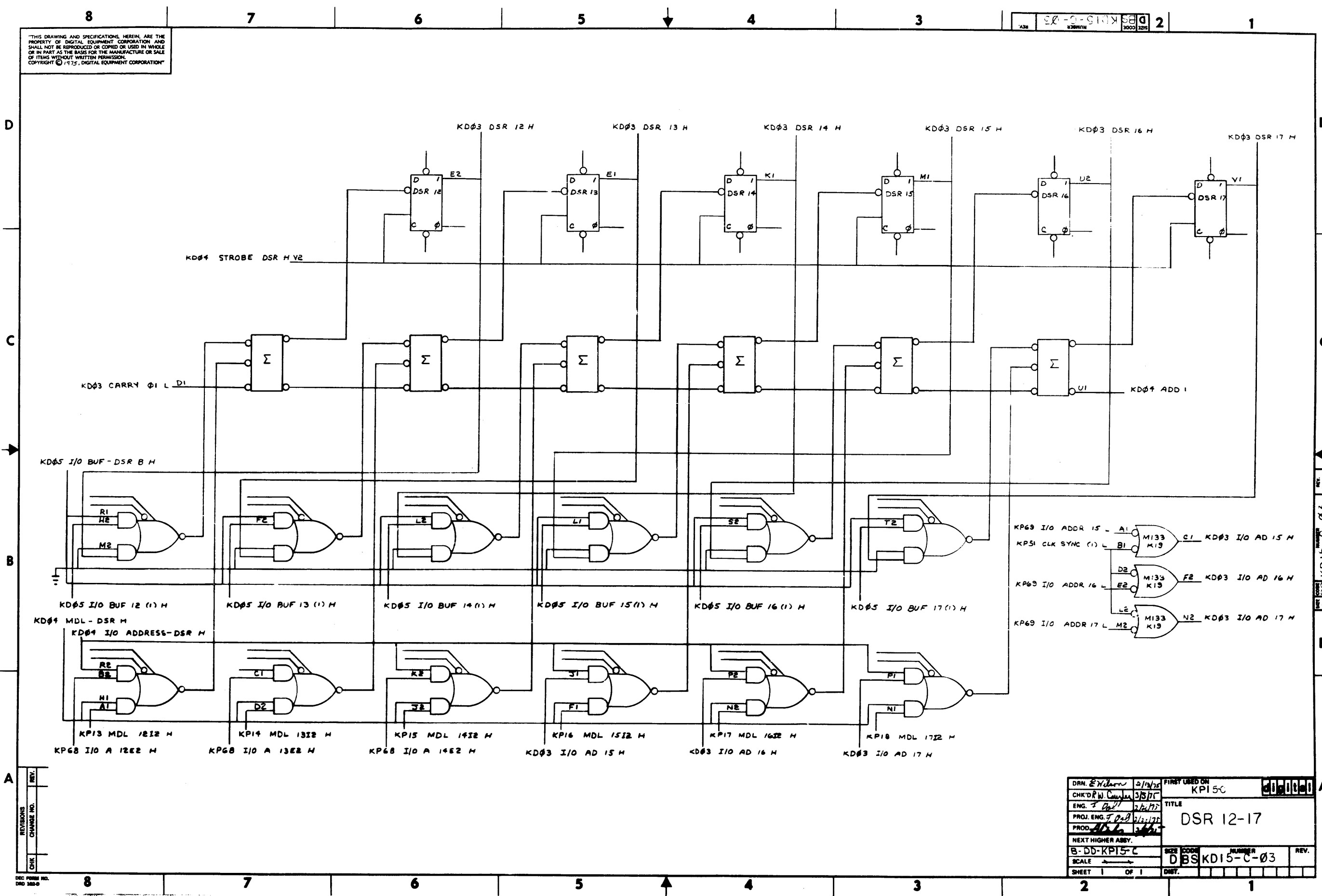
REV.	
CHG	
CHG	
CHG	

DRN. <i>Shannon</i>	2-19-75	FIRST USED ON	KP15-C
CHK'D PW <i>Conroy</i>	3/6/75	TITLE	DSR 06-11
ENG. <i>F. Dell</i>	3/11/75		
PROJ. ENG. <i>F. Dell</i>	3/11/75		
PROD. <i>Shannon</i>	3/11/75		
NEXT HIGHER ASSY.			
B-DD-KP15-C		SIZE	D
SCALE 1		CODE	BS
SHEET 1	OF 1	NUMBER	KP15-C-02
		REV.	

REV. 1
PART NO. BS-KP15-C-02

"THIS DRAWING AND SPECIFICATIONS HEREIN ARE THE PROPERTY OF DIGITAL EQUIPMENT CORPORATION AND SHALL NOT BE REPRODUCED OR COPIED OR USED IN WHOLE OR IN PART AS THE BASIS FOR THE MANUFACTURE OR SALE OF ITEMS WITHOUT WRITTEN PERMISSION. COPYRIGHT © 1975, DIGITAL EQUIPMENT CORPORATION"

EQ-O-SINK 88 D 2

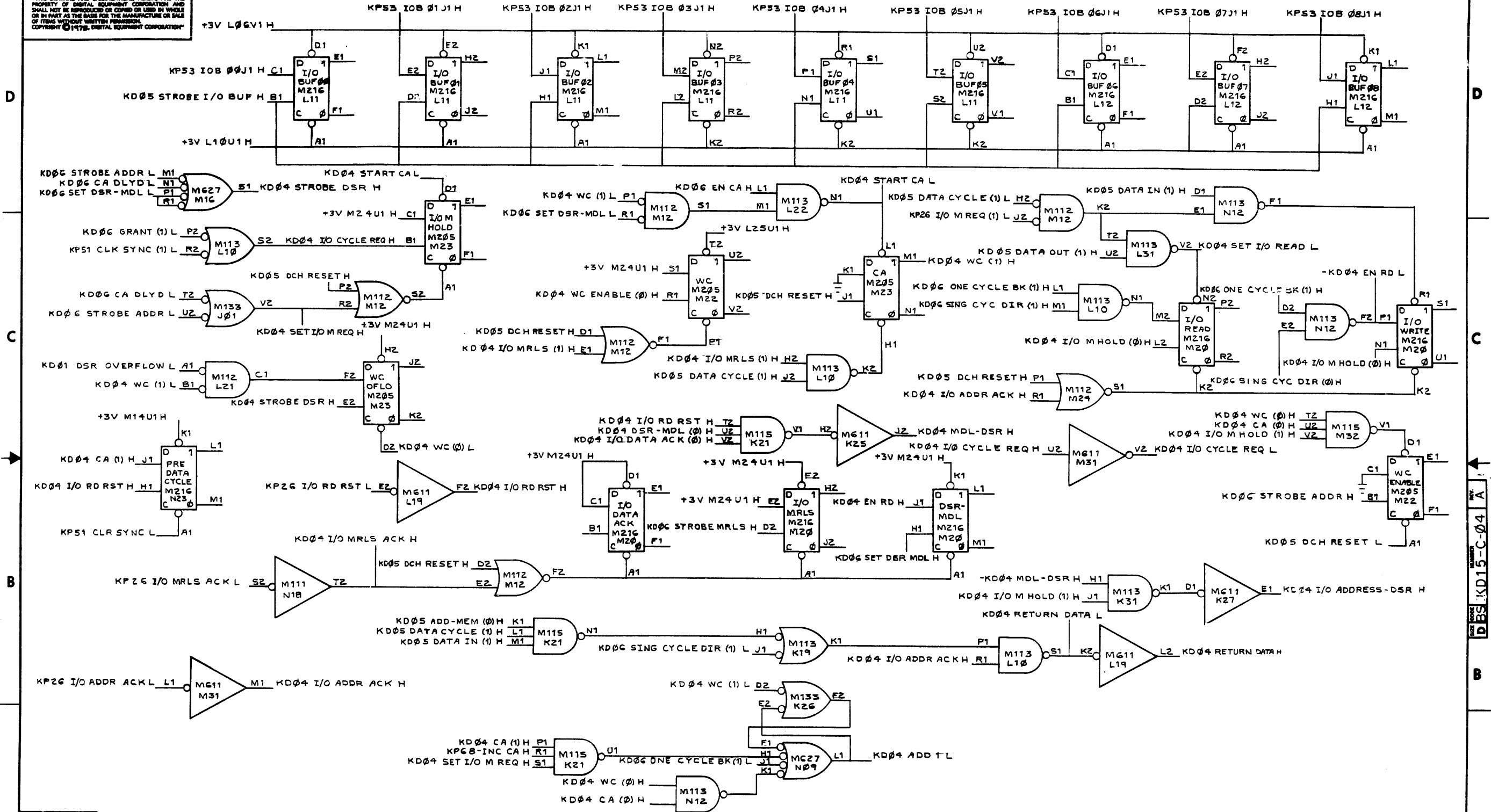


DRN. E. Wilson	2/14/75	FIRST USED ON	KPI5C	DIGITAL
CHK'D P.W. Cullen	3/5/75	TITLE	DSR 12-17	
ENG. J. DeWitt	2/16/75	SCALE	1 OF 1	REV.
PROD. J. DeWitt	3/6/75	SCALE	1 OF 1	
NEXT HIGHER ASSY.		SIZE CODE	D	REV.
B-DD-KPI5-C		NUMBER	BSKD15-C-03	
SHEET		OF	1	REV.

REV.	
CHANGE NO.	
CHK	

REV. 1
REV. 2
REV. 3
REV. 4
REV. 5
REV. 6
REV. 7
REV. 8
REV. 9
REV. 10
REV. 11
REV. 12
REV. 13
REV. 14
REV. 15
REV. 16
REV. 17
REV. 18
REV. 19
REV. 20
REV. 21
REV. 22
REV. 23
REV. 24
REV. 25
REV. 26
REV. 27
REV. 28
REV. 29
REV. 30
REV. 31
REV. 32
REV. 33
REV. 34
REV. 35
REV. 36
REV. 37
REV. 38
REV. 39
REV. 40
REV. 41
REV. 42
REV. 43
REV. 44
REV. 45
REV. 46
REV. 47
REV. 48
REV. 49
REV. 50
REV. 51
REV. 52
REV. 53
REV. 54
REV. 55
REV. 56
REV. 57
REV. 58
REV. 59
REV. 60
REV. 61
REV. 62
REV. 63
REV. 64
REV. 65
REV. 66
REV. 67
REV. 68
REV. 69
REV. 70
REV. 71
REV. 72
REV. 73
REV. 74
REV. 75
REV. 76
REV. 77
REV. 78
REV. 79
REV. 80
REV. 81
REV. 82
REV. 83
REV. 84
REV. 85
REV. 86
REV. 87
REV. 88
REV. 89
REV. 90
REV. 91
REV. 92
REV. 93
REV. 94
REV. 95
REV. 96
REV. 97
REV. 98
REV. 99
REV. 100

"THIS DRAWING AND SPECIFICATIONS HEREIN ARE THE PROPERTY OF DIGITAL EQUIPMENT CORPORATION AND SHALL NOT BE REPRODUCED OR COPIED OR USED IN WHOLE OR IN PART AS THE BASIS FOR THE MANUFACTURE OR SALE OF ITEMS WITHOUT WRITTEN PERMISSION. COPYRIGHT © 1978, DIGITAL EQUIPMENT CORPORATION"

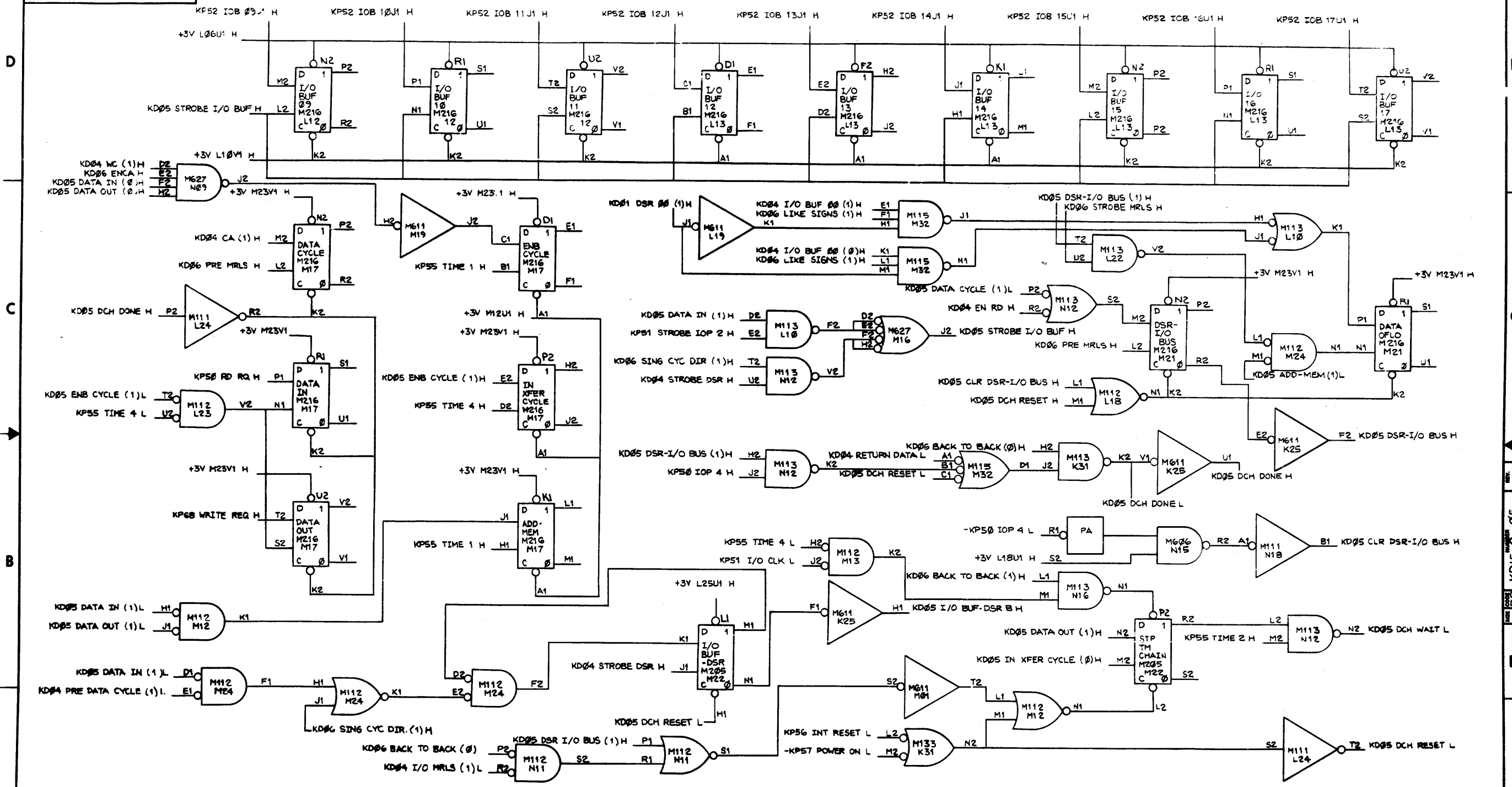


REV.	CHG.	DATE	BY
1	1	12/11/78	F. DOLL
2	1	1/11/79	F. DOLL
3	1	2/13/79	F. DOLL

DRN. <i>B.C. O'Brien</i>	2/13/79	FIRST USED ON	KP15-C	digital
CHK'D <i>P.W. Cannon</i>	3/6/79	TITLE	I/O BUF 00-04	
ENG. <i>F. Doll</i>	2/21/78	PROJECT	I/O BUF 00-04	
PROJ. ENG. <i>F. Doll</i>	2/14/78	PROD. <i>F. Doll</i>	I/O BUF 00-04	
NEXT HIGHER ASSY.				
S-DD-KP15-C	SIZE	CODE	NUMBER	REV.
SCALE	D	BS	KD15-C-04	A
SHEET	1	OF	1	DIST.

THIS DRAWING AND SPECIFICATIONS HEREIN ARE THE PROPERTY OF DIGITAL EQUIPMENT CORPORATION AND SHALL NOT BE REPRODUCED OR COPIED OR USED IN WHOLE OR IN PART AS THE BASIS FOR THE MANUFACTURE OR SALE OF ITEMS WITHOUT WRITTEN PERMISSION. COPYRIGHT © 1975, DIGITAL EQUIPMENT CORPORATION

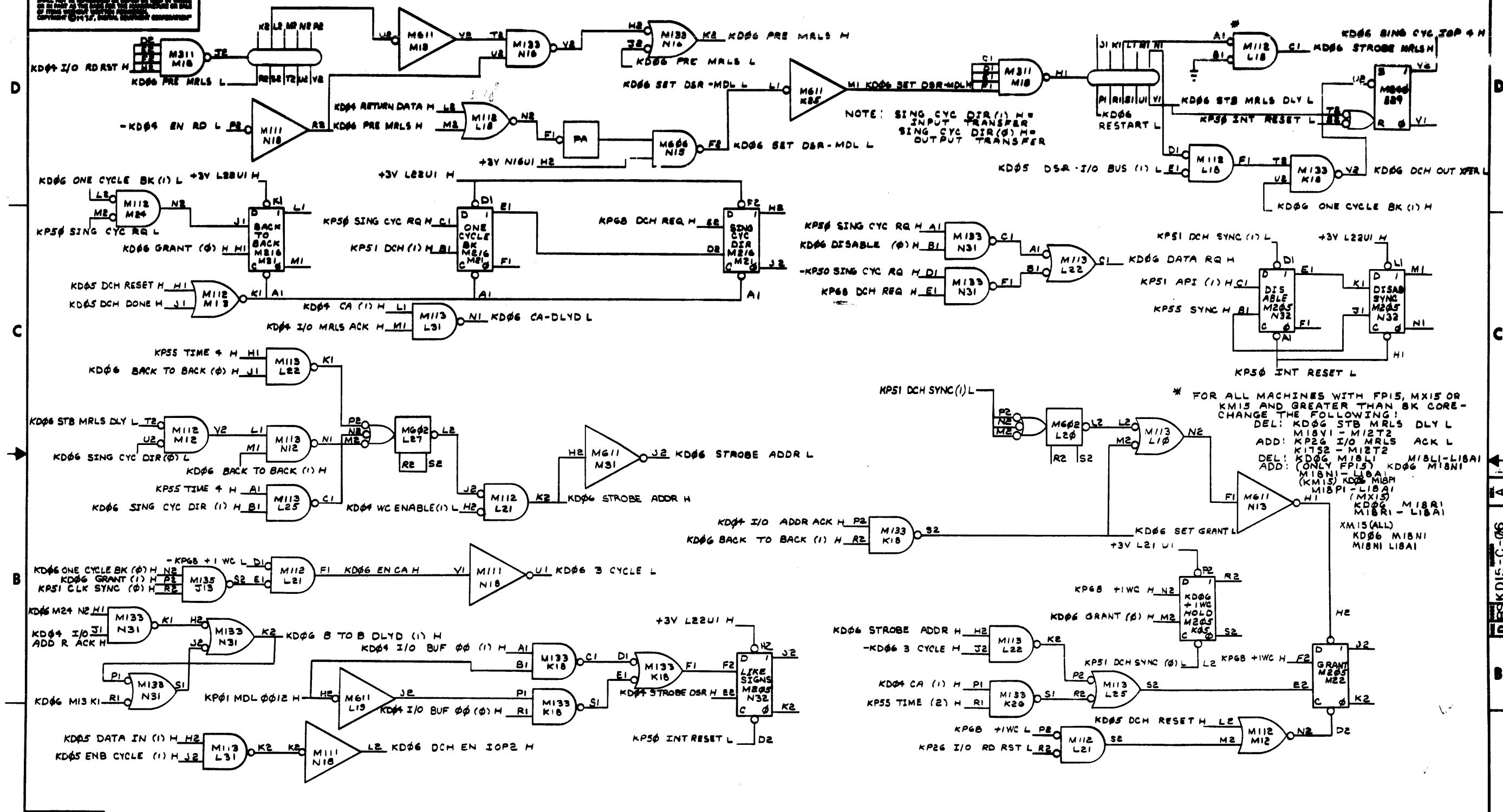
90-C-05



REV.	CHG.	DESCRIPTION

DRN: <i>J. J. ...</i> 2/14/75	FIRST USED ON	KP15-C
CHK'D BY: <i>...</i> 3/5/75	TITLE	I/O BUF 09-17
ENG: <i>F. ...</i> 2/14/75	SCALE	D BS KDI5-C-05
PROD: <i>...</i> 2/14/75	SHEET	OF 2
NEXT HIGHER ASSY.	SIZE CODE	NUMBER
B-DD-KP15-C	SCALE	REV.

THIS DRAWING AND SPECIFICATIONS HEREAFTER ARE THE PROPERTY OF BUSHNELL TELEPHONE LABORATORIES, INC. AND ARE TO BE KEPT IN CONFIDENTIALITY. NO PART OF THIS DRAWING OR SPECIFICATIONS IS TO BE REPRODUCED OR TRANSMITTED IN ANY FORM OR BY ANY MEANS, ELECTRONIC OR MECHANICAL, INCLUDING PHOTOCOPYING, RECORDING, OR BY ANY INFORMATION STORAGE AND RETRIEVAL SYSTEM. WITHOUT THE WRITTEN PERMISSION OF BUSHNELL TELEPHONE LABORATORIES, INC.

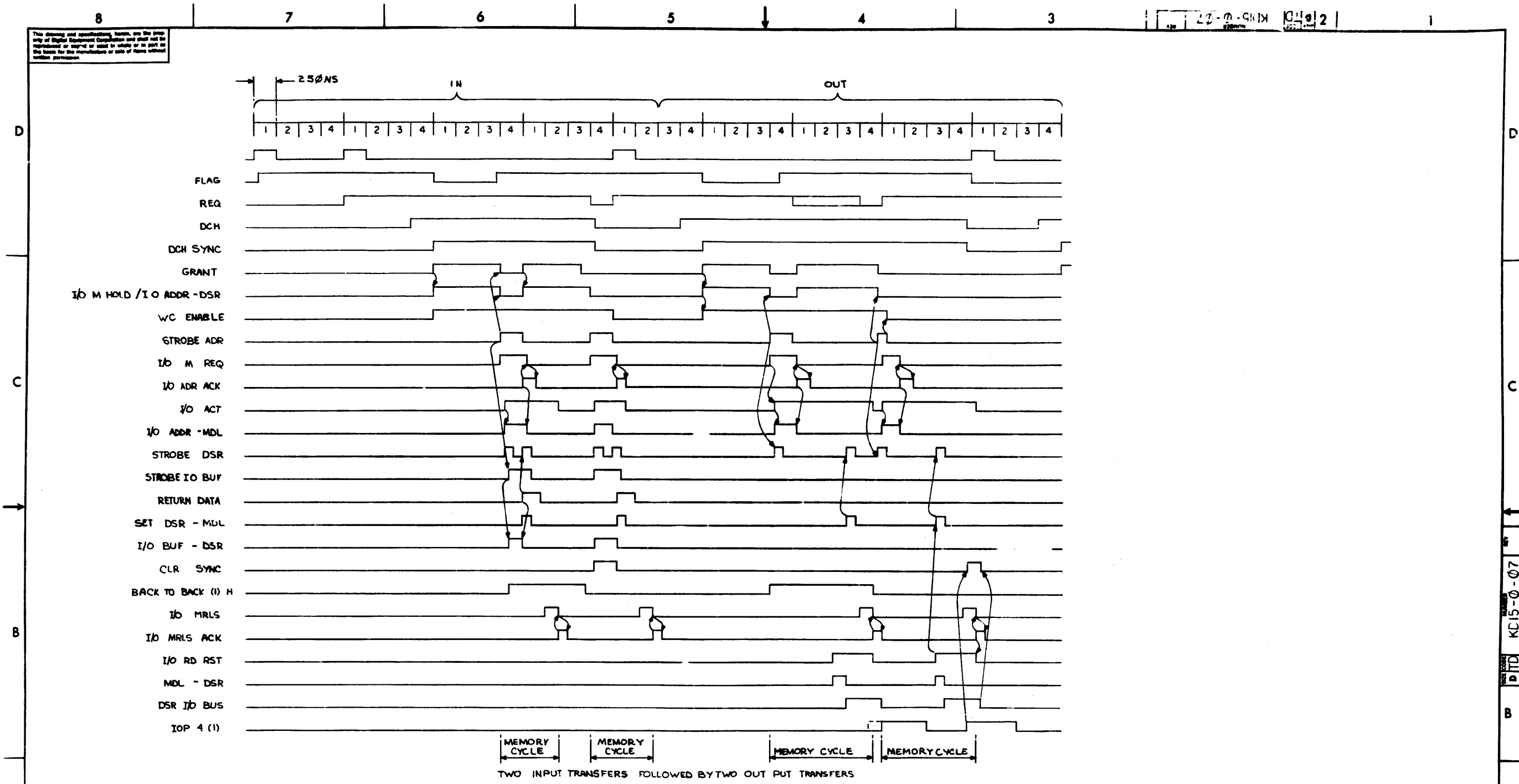


REV.	DATE	BY	CHKD
1			
2			
3			
4			
5			
6			
7			
8			

DRN. #	Wilson	DATE	2/1/71	FIRST USED ON	KP15-C	20-0000
CHK'D BY	Wilson	DATE	2/1/71	TITLE	MSC DCH LOGIC	
ENGR.	Wilson	DATE	2/1/71	SCALE		
PROJ. ENGR.	Wilson	DATE	2/1/71	SHEET	1	OF 1
PROD. ENGR.	Wilson	DATE	2/1/71	DIST.		
NEXT HIGHER ASSY.				SIZE	CODE	NUMBER
B-D-KP15-C				D	BSKD15-C-06	A

This drawing and specifications herein are the property of Digital Equipment Corporation and shall not be reproduced or copied or used in whole or in part as the basis for the manufacture or sale of items without written permission.

20-0-011K 12 2



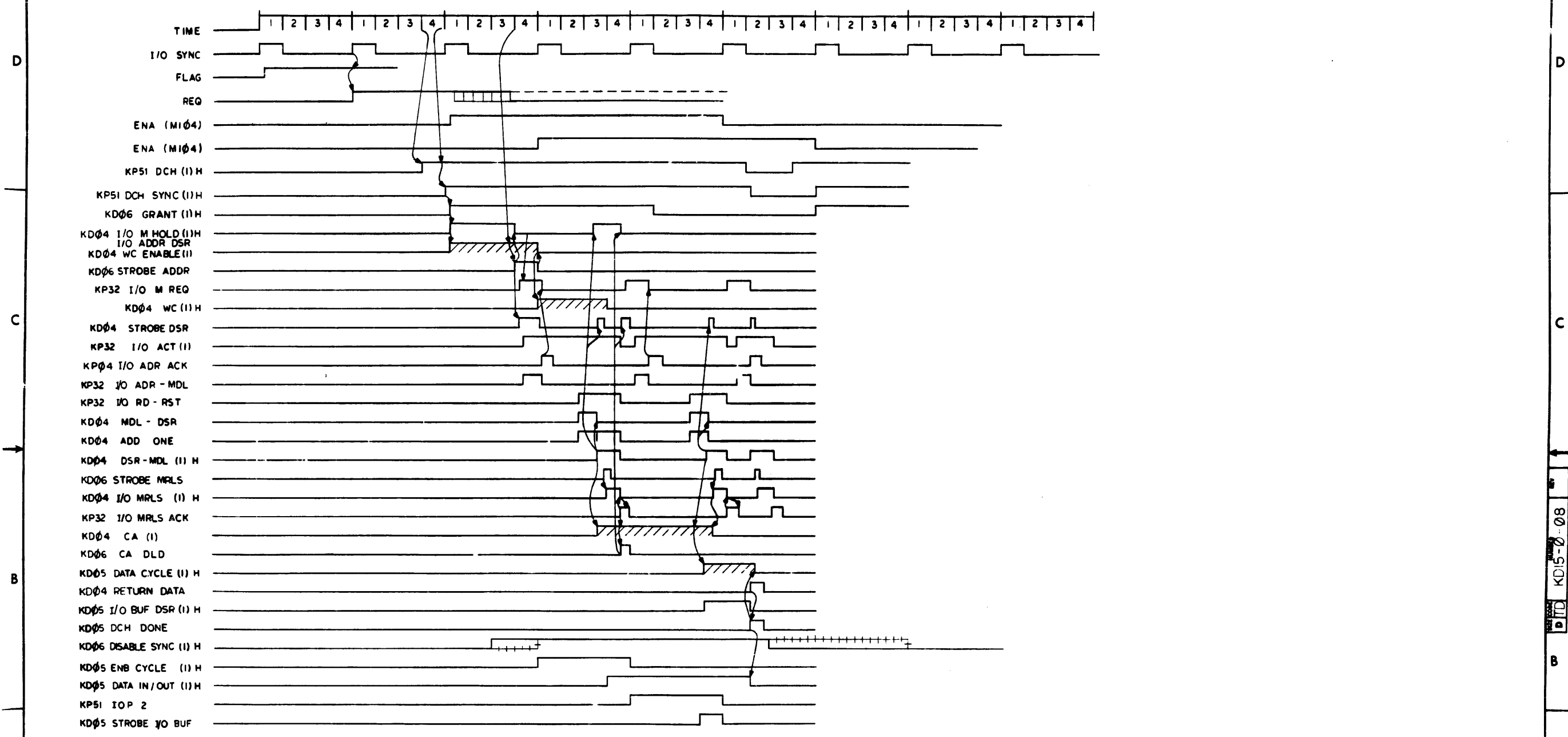
REV.	
CHANGE NO.	
CHK	

DEC FORM NO. DRD 102A

FIRST USED ON OPTION/ MODEL PDP15	QTY.	DESCRIPTION	PART NO.	ITEM NO.
PARTS LIST				
UNLESS OTHERWISE SPECIFIED	DATE	DATE	DIGITAL EQUIPMENT CORPORATION MAYNARD MASSACHUSETTS	
UNLESS OTHERWISE SPECIFIED	DATE	DATE	TITLE	
DIMENSION IN INCHES	DATE	DATE	DETAILED TIMING --	
TOLERANCES	DATE	DATE	SINGLE CYCLE	
DECIMALS FRACTIONS ANGLES	DATE	DATE	IN&OUT TRANSFERS	
± 0.01 ± 0.001 ± 0.005	DATE	DATE	DRAWING NUMBER	
FINAL SURFACE QUALITY	DATE	DATE	DITD KDI5-0-07	
REMOVE BURRS AND BREAK SHARP CORNERS	DATE	DATE	REV.	
MATERIAL	DATE	DATE		
NEXT PREPARE	DATE	DATE		
SCALE	DATE	DATE		
FINISH	DATE	DATE		
SHEET 1 OF 1	DATE	DATE		

DITD KDI5-0-07

This drawing and specifications, herein, are the property of Digital Equipment Corporation and shall not be reproduced or copied or used in whole or in part as the basis for the manufacture or sale of items without written permission.

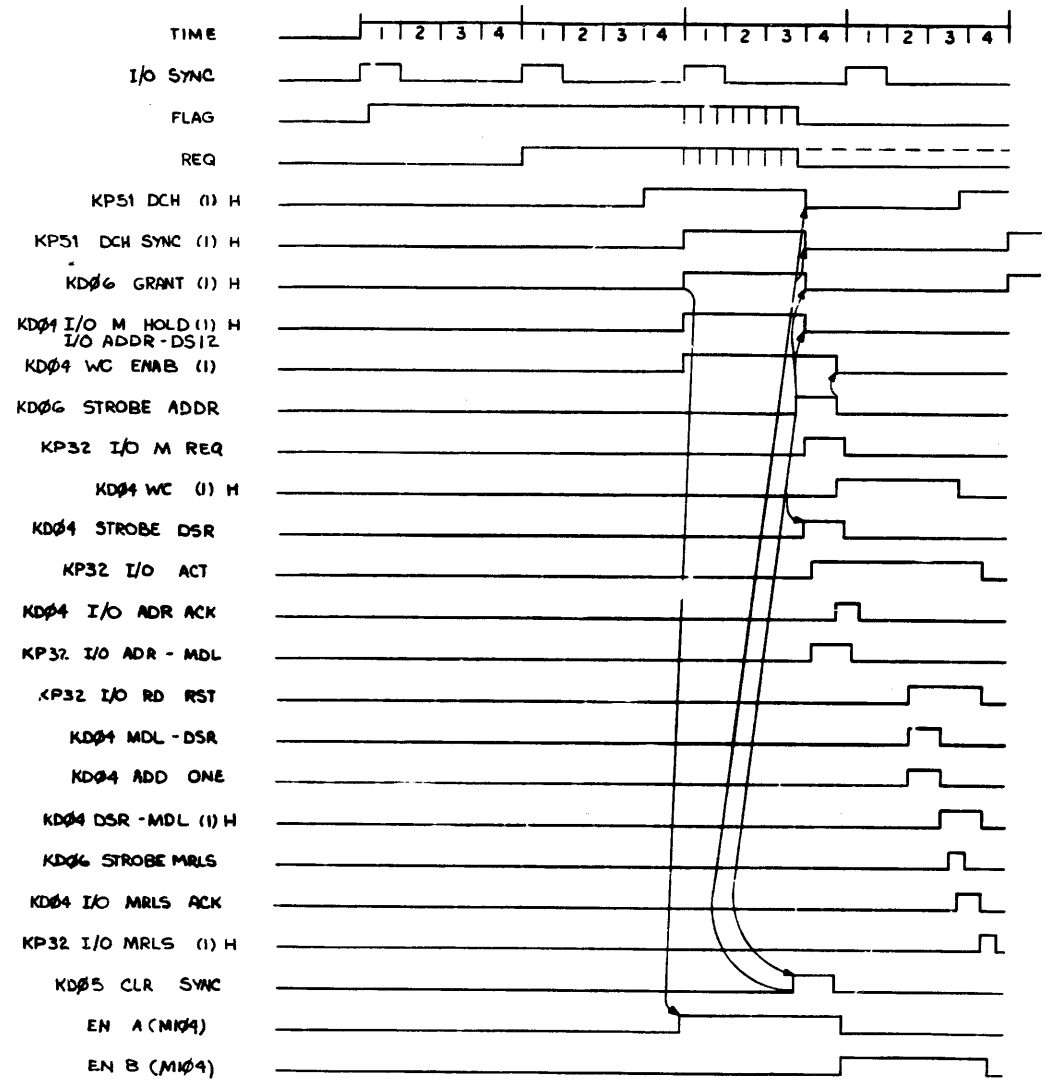


REV.	
CHANGE NO.	
CHE.	

FIRST USED ON OPTION/ MODEL PDP15	QTY.	DESCRIPTION	PART NO.	ITEM NO.
PARTS LIST				
UNLESS OTHERWISE SPECIFIED	DATE	DATE	EQUIPMENT CORPORATION	
UNLESS OTHERWISE SPECIFIED	DATE	DATE	MAYNARD MASSACHUSETTS	
DIMENSION IN INCHES	DATE	DATE	TITLE	
TOLERANCES	DATE	DATE	DETAILED TIMING	
DECIMALS FRACTIONS ANGLES	DATE	DATE	3 CYCLE DCH IN	
± .005 ± 1/64 ± 90°	DATE	DATE	TRANSFER	
FINAL SURFACE QUALITY	DATE	DATE	DITD KD15-Ø-Ø8	
REMOVE BURRS AND BREAK SHARP CORNERS	DATE	DATE	REV.	
MATERIAL	NEAT HIGHER SSY	SCALE	SHEET 1 OF 1	
++	A-ML-KD15-Ø	SCALE	SHEET 1 OF 1	
FINISH	++	SCALE	SHEET 1 OF 1	

This drawing and specifications herein are the property of Digital Equipment Corporation and shall not be reproduced or copied or used in whole or in part in any form for the manufacture of any of items without written permission.

60-0-910X 2



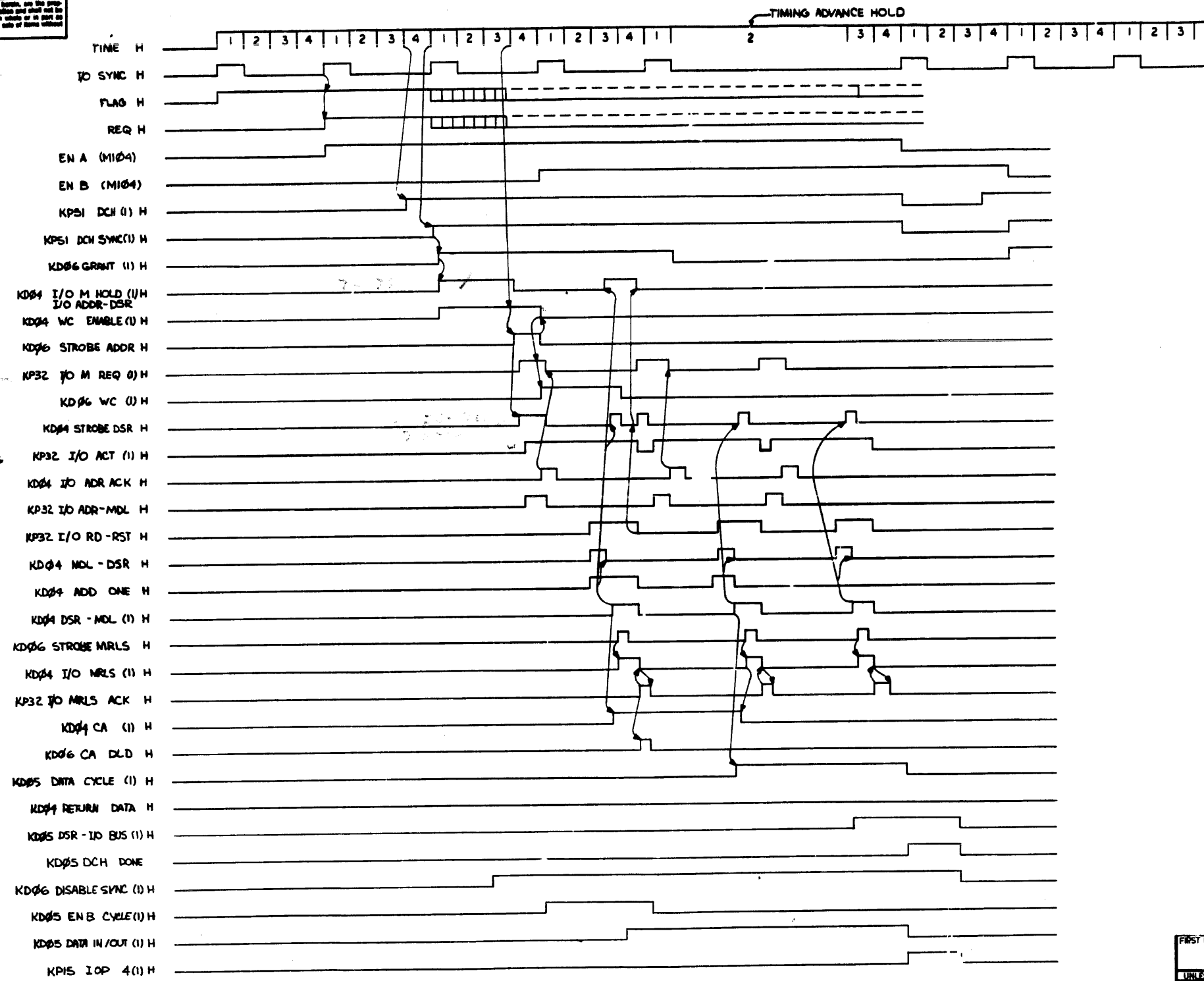
REV.	
CHANGE NO.	
CHK	

DEC FORM NO. DRG 102A

FIRST USED ON OPTION/MODEL PDP15	QTY.	DESCRIPTION	PART NO.	ITEM NO.
UNLESS OTHERWISE SPECIFIED				
DIMENSION IN INCHES				
TOLERANCES				
DECIMALS	FRACTIONS	ANGLES		
± .008	± 1/64	± 0°30'		
FINAL SURFACE QUALITY				
REMOVE BURRS AND BREAK SHARP CORNERS				
MATERIAL	NEXT HIGHER ASSY			
FINISH	A-ML-KD15-0			
SCALE		DITD KDI5-0-09		
SHEET 1 OF 1		REV.		

DITD KDI5-0-09

The timing and specifications herein are the property of Digital Equipment Corporation and shall not be reproduced or copied or used in whole or in part in any form for the construction or sale of items without written permission.



D
C
B
A

D
C
B
A

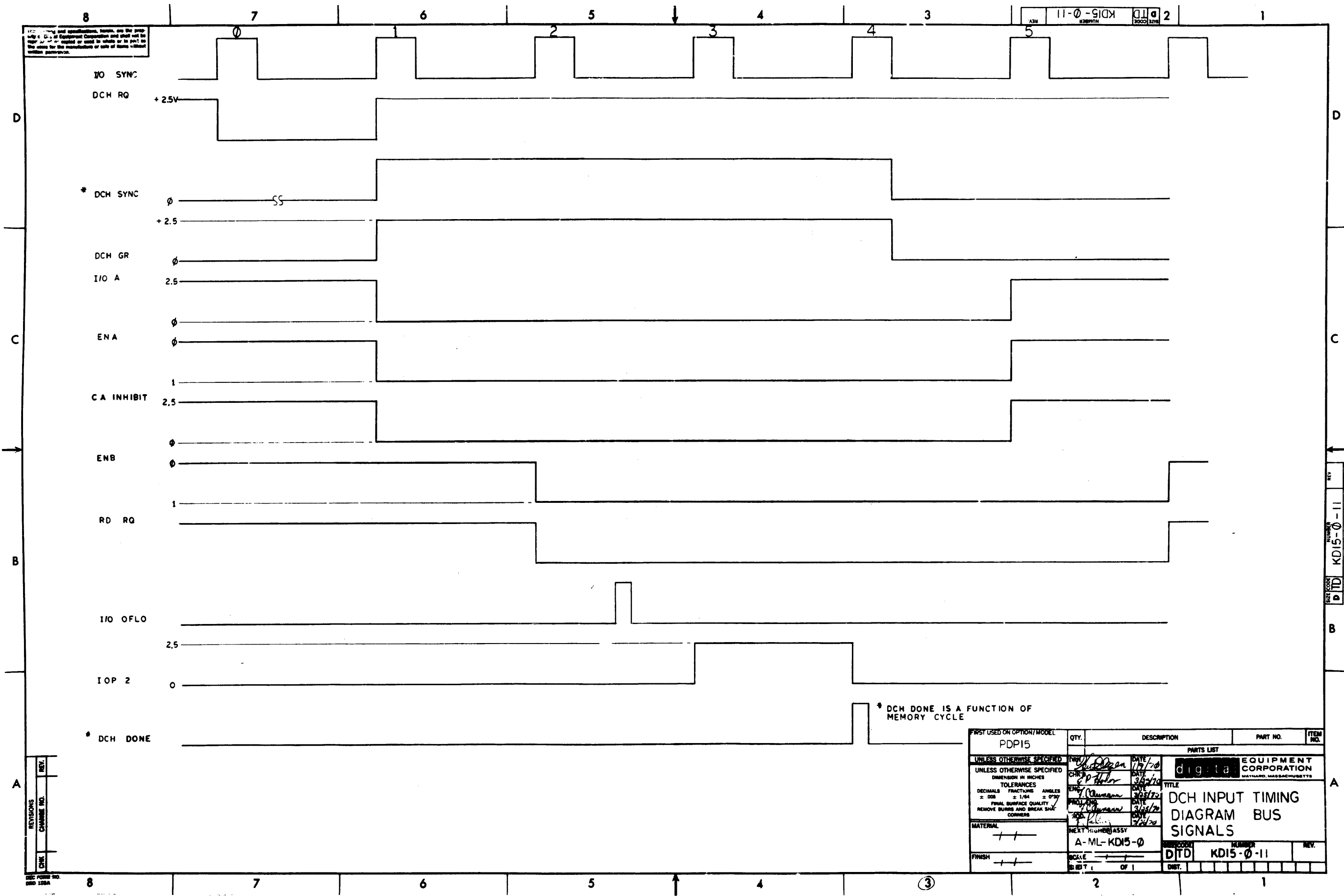
DITD KD15-0-10

REV.	
CHANGE NO.	
CHK	

FIRST USED ON OPTION MODEL PDP15	QTY.	DESCRIPTION	PART NO.	ITEM NO.
UNLESS OTHERWISE SPECIFIED	DATE	DATE	PARTS LIST	
UNLESS OTHERWISE SPECIFIED	DATE	DATE	EQUIPMENT CORPORATION MAYNARD, MASSACHUSETTS	
DIMENSIONS IN INCHES	DATE	DATE	TITLE	
TOLERANCES	DATE	DATE	DETAILED TIMING - 3 CYCLE DCH OUT TRANSFER	
DECIMALS FRACTIONS ANGLES	DATE	DATE	NUMBER	REV.
± .008 ± 1/64 ± 0°	DATE	DATE	DITD	KD15-0-10
FINAL SURFACE QUALITY	DATE	DATE	SHEET	OF 1
REMOVE BURRS AND BREAK SHARP CORNERS	DATE	DATE		
MATERIAL	DATE	DATE		
FINISH	DATE	DATE		

Dimensions and specifications herein are the property of Digital Equipment Corporation and shall not be reproduced or used in whole or in part in any manner for the manufacture or sale of items without written permission.

11-0-910X
DITD
REV. 11/70

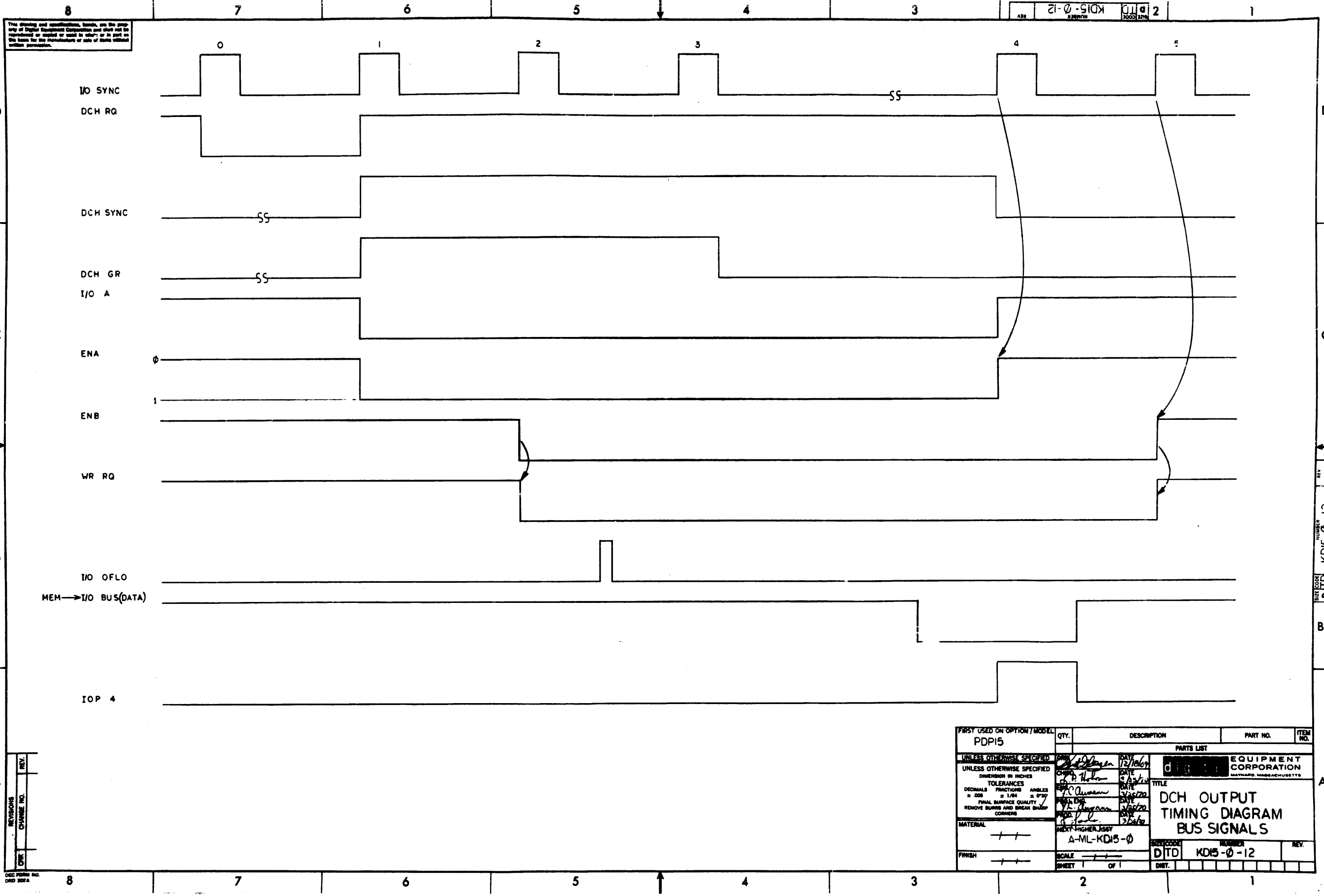


* DCH DONE IS A FUNCTION OF MEMORY CYCLE

REV.	
CHG	
REV.	
CHG	

FIRST USED ON OPTION/MODEL	QTY.	DESCRIPTION	PART NO.	ITEM NO.
PDP15				
PARTS LIST				
UNLESS OTHERWISE SPECIFIED		DATE	EQUIPMENT CORPORATION	
UNLESS OTHERWISE SPECIFIED		DATE	MAYNARD, MASSACHUSETTS	
DIMENSION IN INCHES		DATE	TITLE	
TOLERANCES		DATE	DCH INPUT TIMING	
DECIMALS	FRACTIONS	DATE	DIAGRAM BUS	
± .008	± 1/64	DATE	SIGNALS	
FINAL SURFACE QUALITY		DATE	DITD	
REMOVE BURRS AND BREAK SHARP CORNERS		DATE	KDI5-0-11	
MATERIAL		DATE	REV.	
NEXT HIGHER ASSEMBLY		DATE		
A-ML-KDI5-0		DATE		
FINISH		DATE		
++		DATE		
++		DATE		

REV. 11/70
DITD
KDI5-0-11



REV.	
CHG. NO.	
DATE	

DEC FORM NO. 5010-101

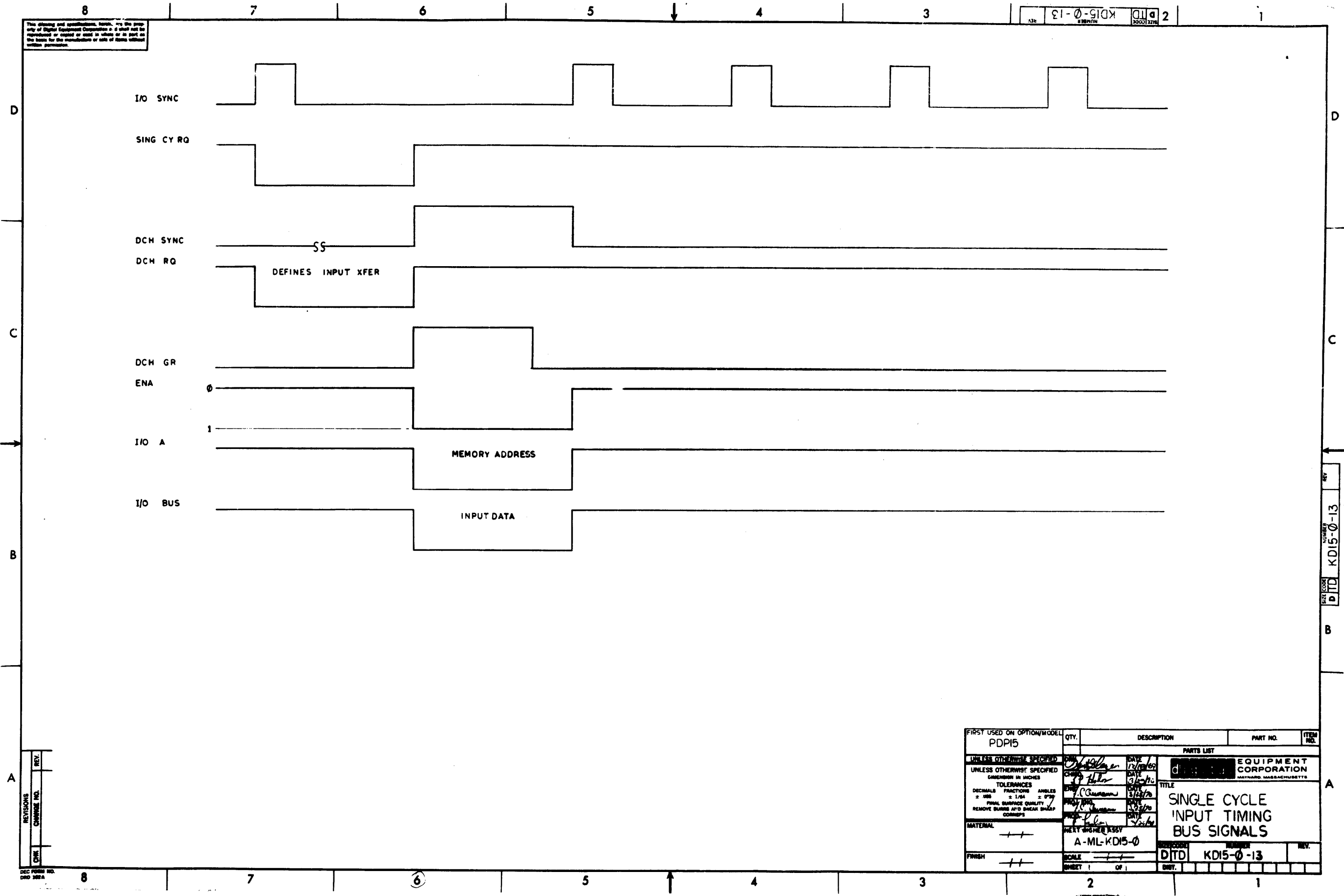
FIRST USED ON OPTION / MODEL PDP15	QTY.	DESCRIPTION	PART NO.	ITEM NO.
UNLESS OTHERWISE SPECIFIED				
UNLESS OTHERWISE SPECIFIED				
DIMENSION IN INCHES				
TOLERANCES				
DECIMALS	FRACTIONS	ANGLES		
± .008	± 1/64	± 0°30'		
FINAL SURFACE QUALITY				
REMOVE BURRS AND BREAK SHARP CORNERS				
MATERIAL	NEXT HIGHER QUALITY			
---	A-ML-KD15-0			
FINISH	SCALE			
---	1 OF 1			
SHEET		OF 1		
DST.		REV.		
D TD		KD15-0-12		

REV. NO. 1
PART NO. KD15-0-12
DATE CODE D|TD

A

The drawing and specifications herein are the property of Digital Equipment Corporation and shall not be reproduced or copied or used in whole or in part as the basis for the manufacture of any of items without written permission.

REV. 2
 300012114
 13-01-KD15
 13



REV. 2
 300012114
 13-01-KD15
 13

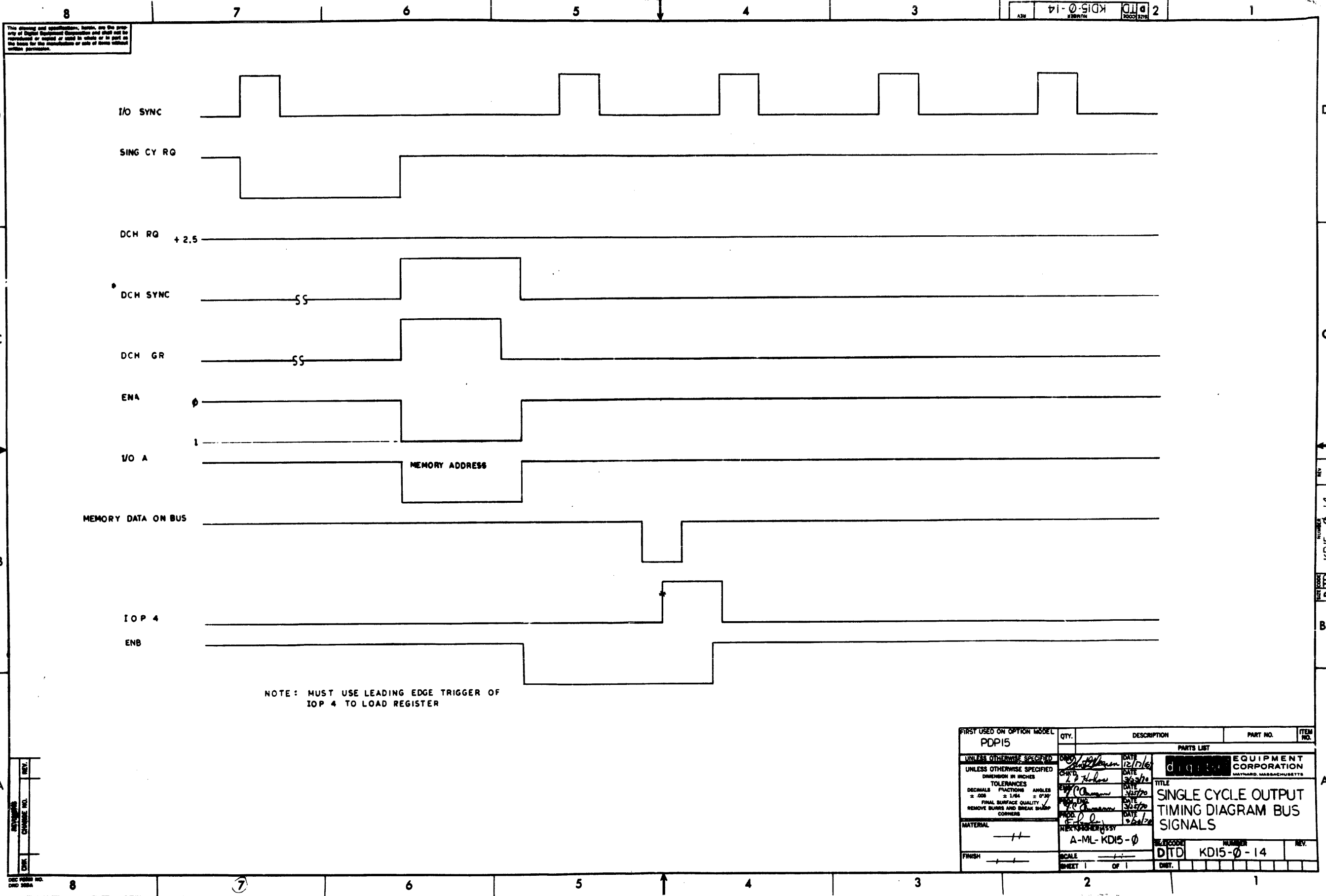
B

A

FIRST USED ON OPTION/MODEL PDP15	QTY.	DESCRIPTION	PART NO.	ITEM NO.
PARTS LIST				
UNLESS OTHERWISE SPECIFIED		DATE	EQUIPMENT CORPORATION MAYNARD, MASSACHUSETTS	
UNLESS OTHERWISE SPECIFIED		DATE	TITLE	
DIMENSIONS IN INCHES		DATE	SINGLE CYCLE INPUT TIMING BUS SIGNALS	
TOLERANCES		DATE	DRAWING NO.	
DECIMALS FRACTIONS ANGLES		DATE	REV.	
± .005 ± 1/64 ± 0°		DATE	D/TD KD15-0-13	
FINISH SURFACE QUALITY		DATE	SHEET 1 OF 1	
REMOVE BURRS AND BREAK SHARP CORNERS		DATE		
MATERIAL	HEAT TREATMENT	DATE		
++	A-MIL-KD15-0	DATE		
FINISH	SCALE	DATE		
++	1:1	DATE		

REV. 2
 300012114
 13-01-KD15
 13

A



This drawing and specifications, herein, are the property of Digital Equipment Corporation and shall not be reproduced or copied in whole or in part on the basis of the information or data of these without written permission.

REV. 2
DITD
NUMBER
KD15-0-14

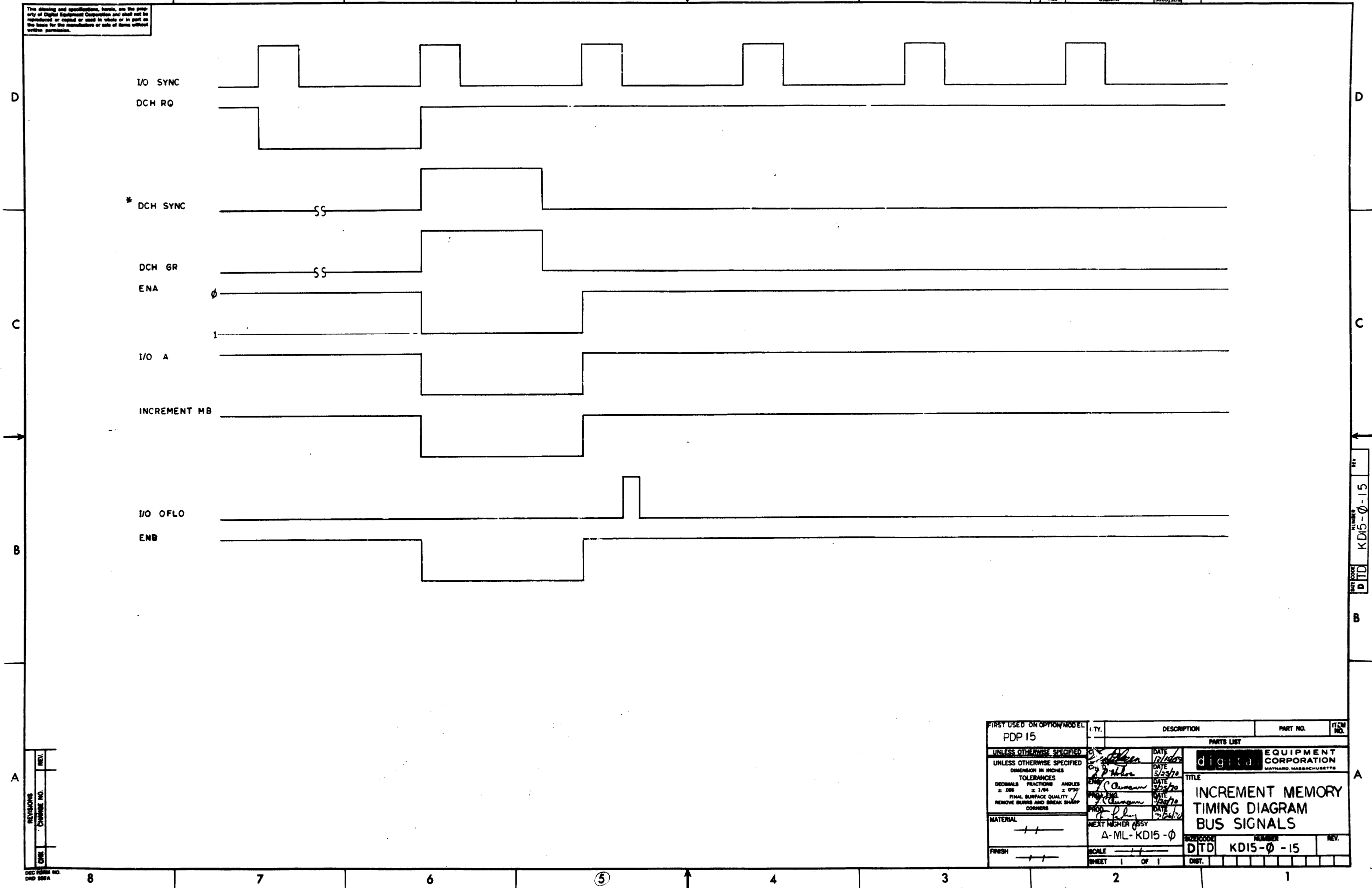
REV. 1
DITD
NUMBER
KD15-0-14

REV. 1
DITD
NUMBER
KD15-0-14

FIRST USED ON OPTION MODEL	QTY.	DESCRIPTION	PART NO.	ITEM NO.
PDP15				
PARTS LIST				
UNLESS OTHERWISE SPECIFIED	DATE	EQUIPMENT CORPORATION MAYNARD, MASSACHUSETTS		
UNLESS OTHERWISE SPECIFIED	DATE	TITLE		
DIMENSION IN INCHES	DATE	SINGLE CYCLE OUTPUT		
TOLERANCES	DATE	TIMING DIAGRAM BUS		
DECIMALS FRACTIONS ANGLES	DATE	SIGNALS		
± .008 ± 1/64 ± 0°30'	DATE	REV. 1		
FINAL SURFACE QUALITY	DATE	DITD KD15-0-14		
REMOVE BURRS AND BREAK SHARP CORNERS	DATE	REV. 1		
MATERIAL	DATE	REV. 1		
FINISH	DATE	REV. 1		
SCALE				
SHEET 1 OF 1				

This drawing and specifications, herein, are the property of Digital Equipment Corporation and shall not be reproduced or copied or used in whole or in part as the basis for the manufacture or sale of items without written permission.

SIZE CODE: 2
 NUMBER: 91-0-010K
 DTD



REV. NUMBER: 15
 DTD
 91-0-010K

REV. NO. 1
 CHANGE NO. 1

FIRST USED ON OPTION MODEL PDP 15		TY.	DESCRIPTION	PART NO.	ITEM NO.
UNLESS OTHERWISE SPECIFIED		PARTS LIST			
DIMENSION IN INCHES		DATE	DIGITAL EQUIPMENT CORPORATION MAYFELD, MASSACHUSETTS		
TOLERANCES		DATE	TITLE		
DECIMALS	FRACTIONS	ANGLES	INCREMENT MEMORY TIMING DIAGRAM BUS SIGNALS		
± .005	± 1/64	± 0°30'	DATE	REV.	
FINAL SURFACE QUALITY		DATE	A-ML-KD15-0		
REMOVE BURRS AND BREAK SHARP CORNERS		DATE	DITD KD15-0-15		
MATERIAL	FINISH	SCALE	SHEET 1 OF 1		
++	++	1:1	DITD KD15-0-15		

8

7

6

5

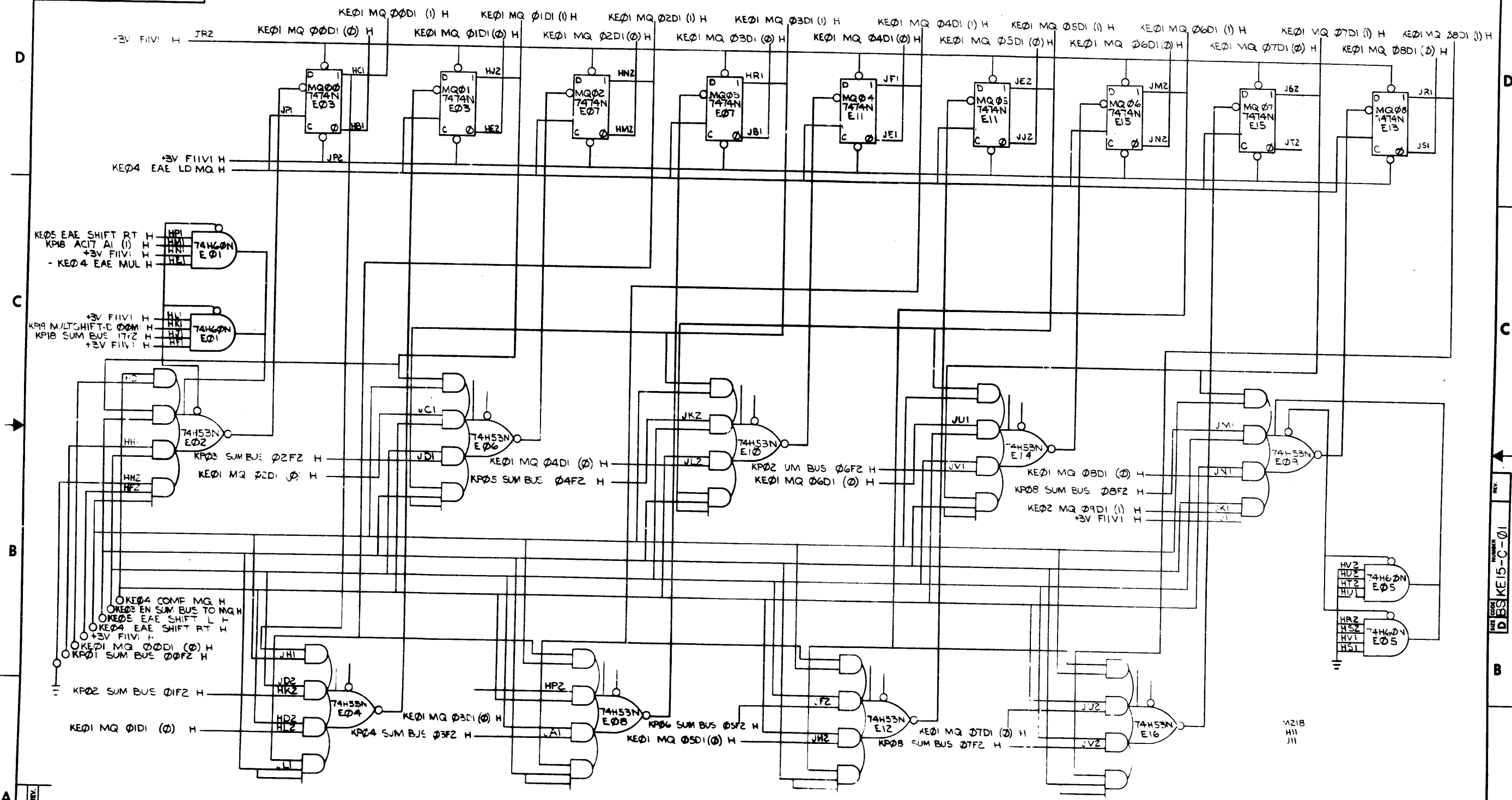
4

3

1

"THIS DRAWING AND SPECIFICATIONS, HEREIN, ARE THE PROPERTY OF DIGITAL EQUIPMENT CORPORATION AND SHALL NOT BE REPRODUCED OR COPIED OR USED IN WHOLE OR IN PART AS THE BASIS FOR THE MANUFACTURE OR SALE OF ITEMS WITHOUT WRITTEN PERMISSION. COPYRIGHT © 1975, DIGITAL EQUIPMENT CORPORATION"

10 - C - 01 KE15-C-01 2



REV.	CHANGE NO.	REVISIONS

DRN	2-11-75	FIRST USED ON	KP15-C
CHK'D BY	3/17/75	TITLE	BI DIRECTIONAL
ENG	3/21/75		SHIFT REG 00-08
PROJ ENG	3/21/75		(MQ REG)
PROD	3/21/75		
NEXT HIGH ASSY			
B-09-015-C	SIZE CODE	NUMBER	D BS KE15-C-01
SCALE		REV.	
SHEET 2	OF 1	DIST.	

REV. NO. 1
NUMBER D BS KE15-C-01

8

7

6

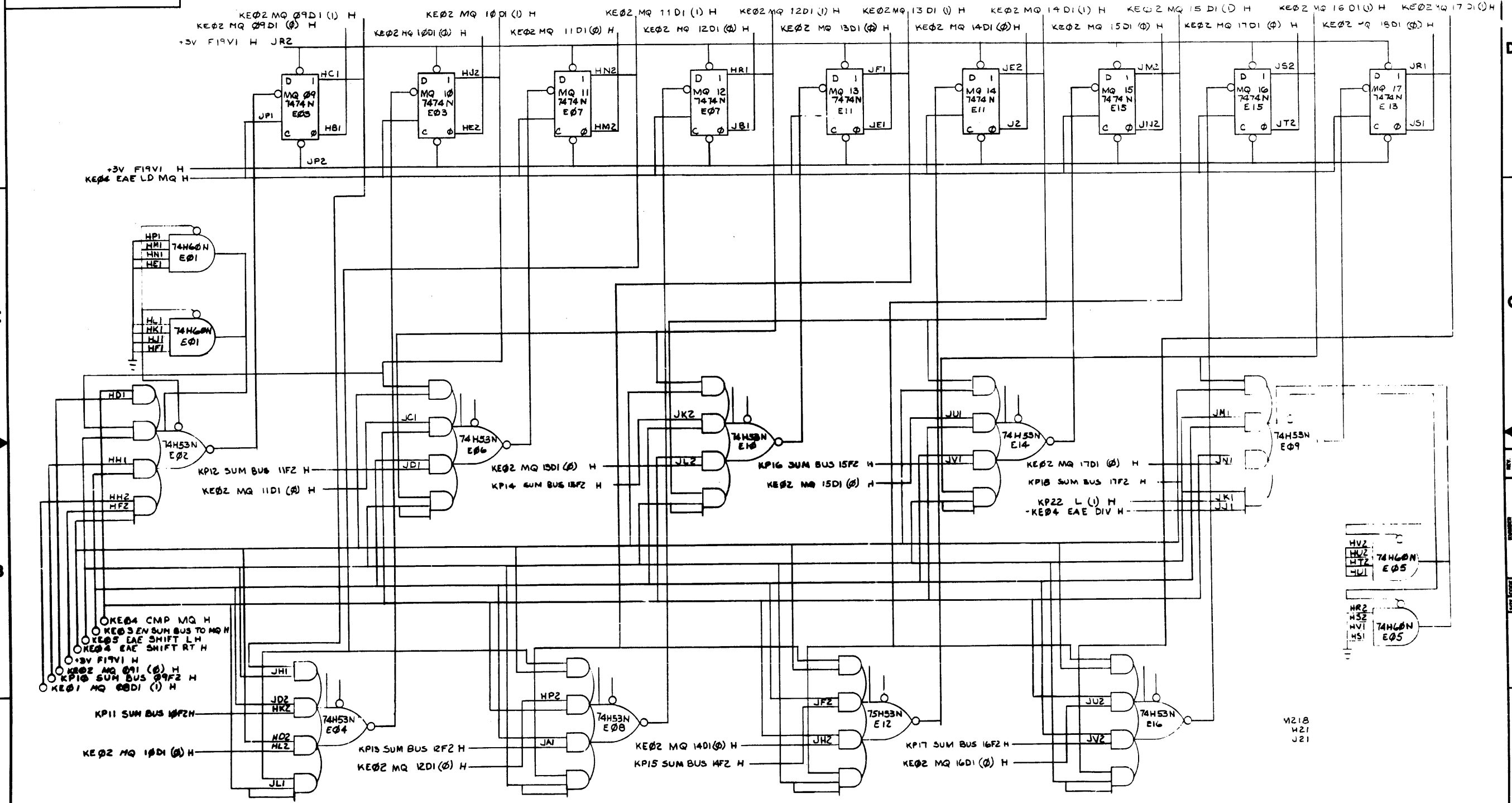
5

4

2

1

"THIS DRAWING AND SPECIFICATIONS, HEREIN, ARE THE PROPERTY OF DIGITAL EQUIPMENT CORPORATION AND SHALL NOT BE REPRODUCED OR COPIED OR USED IN WHOLE OR IN PART AS THE BASIS FOR THE MANUFACTURE OR SALE OF ITEMS WITHOUT WRITTEN PERMISSION. COPYRIGHT © 1975, DIGITAL EQUIPMENT CORPORATION"

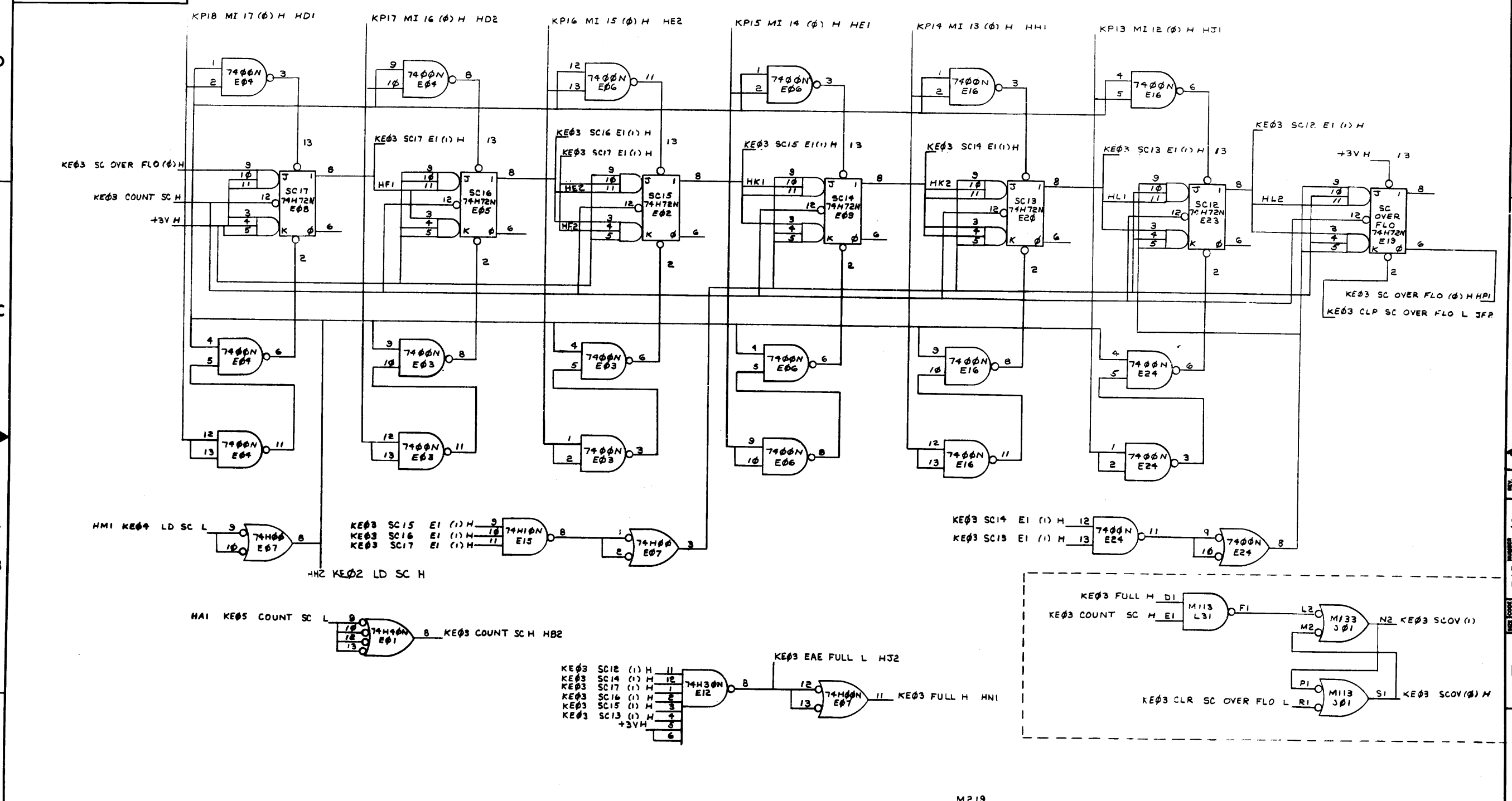


REV.	
CHG.	
REV.	
CHG.	

DRN	2-2-75	FIRST USED ON	KP15-C
CHK'D	3/1/75	TITLE	BI DIRECTIONAL SHIFT REG 09-17 (MQ REG)
ENG.	2/11/75	SCALE	1:1
PROJ. ENG.	2/11/75	SHEET	1 OF 1
PROD.	2/11/75	SIZE	D BS
NEXT HIGHER ASSY.		NUMBER	KE15-C-02
B-DD-KP15-C		REV.	

"THIS DRAWING AND SPECIFICATIONS, HEREIN, ARE THE PROPERTY OF DIGITAL EQUIPMENT CORPORATION AND SHALL NOT BE REPRODUCED OR COPIED OR USED IN WHOLE OR IN PART AS THE BASIS FOR THE MANUFACTURE OR SALE OF ITEMS WITHOUT WRITTEN PERMISSION. COPYRIGHT © 1975 DIGITAL EQUIPMENT CORPORATION"

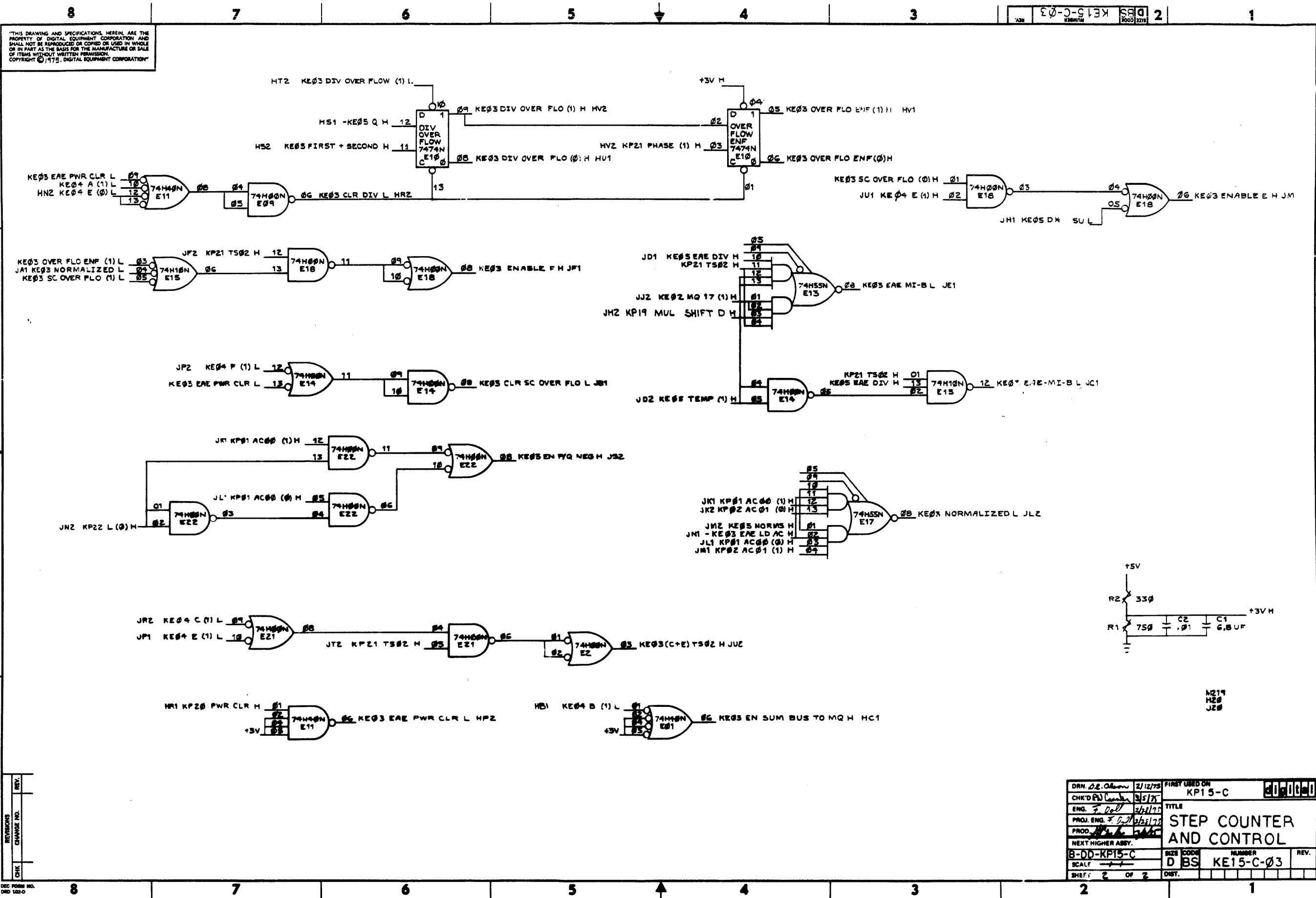
BS KE15-C-03 2



M219
H20
J20

REV.	
CHG	
CHK	

DRN. E. Wilson	Wishg	FIRST USED ON	KP15-C
CHK'D BY	Wishg	TITLE	STEP COUNTER AND CONTROL
ENG. J. D. ...	2/2/75	SCALE	D BS KE15-C-03
PROJ. ENG. J. D. ...	2/2/75	SHEET	1 OF 2
PROD. ...		DIST.	



"THIS DRAWING AND SPECIFICATIONS, HEREIN, ARE THE PROPERTY OF DIGITAL EQUIPMENT CORPORATION AND SHALL NOT BE REPRODUCED OR COPIED OR USED IN WHOLE OR IN PART AS THE BASIS FOR THE MANUFACTURE OR SALE OF ITEMS WITHOUT WRITTEN PERMISSION. COPYRIGHT © 1975, DIGITAL EQUIPMENT CORPORATION"

REV. 2 15-03

DRN. <i>D.E. Olson</i>	2/12/75	FIRST USED ON	KP15-C
CHK'D BY <i>C. Olson</i>	3/5/75	TITLE	STEP COUNTER AND CONTROL
ENG. <i>F. De...</i>	3/11/75	SIZE	D BS
PROJ. ENG. <i>F. De...</i>	3/21/75	NUMBER	KE15-C-03
PROD. <i>F. De...</i>	3/21/75	REV.	
NEXT HIGHER ASSY.			
B-DD-KP15-C			
SCALE			
SHEET 2 OF 2			

DEC FORM NO. 100-0

8

7

6

5

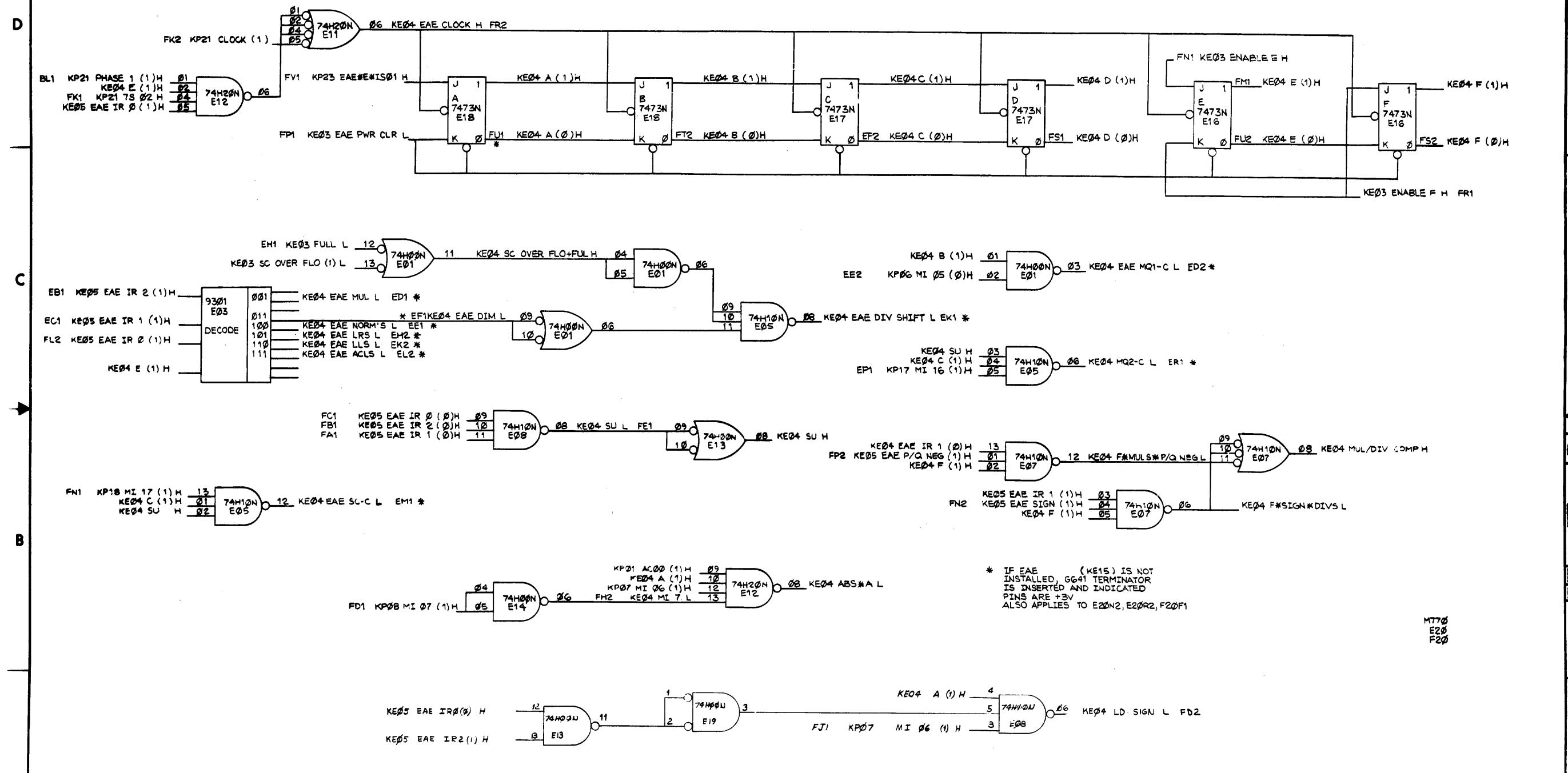
4

3

D BS KE15-C-04 2

1

THIS DRAWING AND SPECIFICATIONS HEREIN ARE THE PROPERTY OF DIGITAL EQUIPMENT CORPORATION AND SHALL NOT BE REPRODUCED OR COPIED OR USED IN WHOLE OR IN PART AS THE BASIS FOR THE MANUFACTURE OR SALE OF ITEMS WITHOUT WRITTEN PERMISSION. COPYRIGHT © 1975, DIGITAL EQUIPMENT CORPORATION



M770
E20
F20

REV.	REV.
CHG	CHG
NO.	NO.
DATE	DATE
BY	BY
CHKD	CHKD
DATE	DATE
BY	BY
APPROVED	APPROVED
DATE	DATE

DRN. <i>E. H. ...</i>	2/11/75	FIRST USED ON	KPI5-C
CHK'D BY <i>...</i>	3/15/75	TITLE	EAE CONTROL
ENG. <i>F. ...</i>	3/15/75	NUMBER	M770
PROJ. ENG. <i>...</i>	3/15/75	REV.	A
PROD. <i>...</i>	3/15/75	SCALE	D BS KE15-C-04
NEXT HIGHER ASSY.		SHEET	1 OF 2
B-DD-KPI5-C	SIZE	DIST.	

8

7

6

5

4

3

2

1

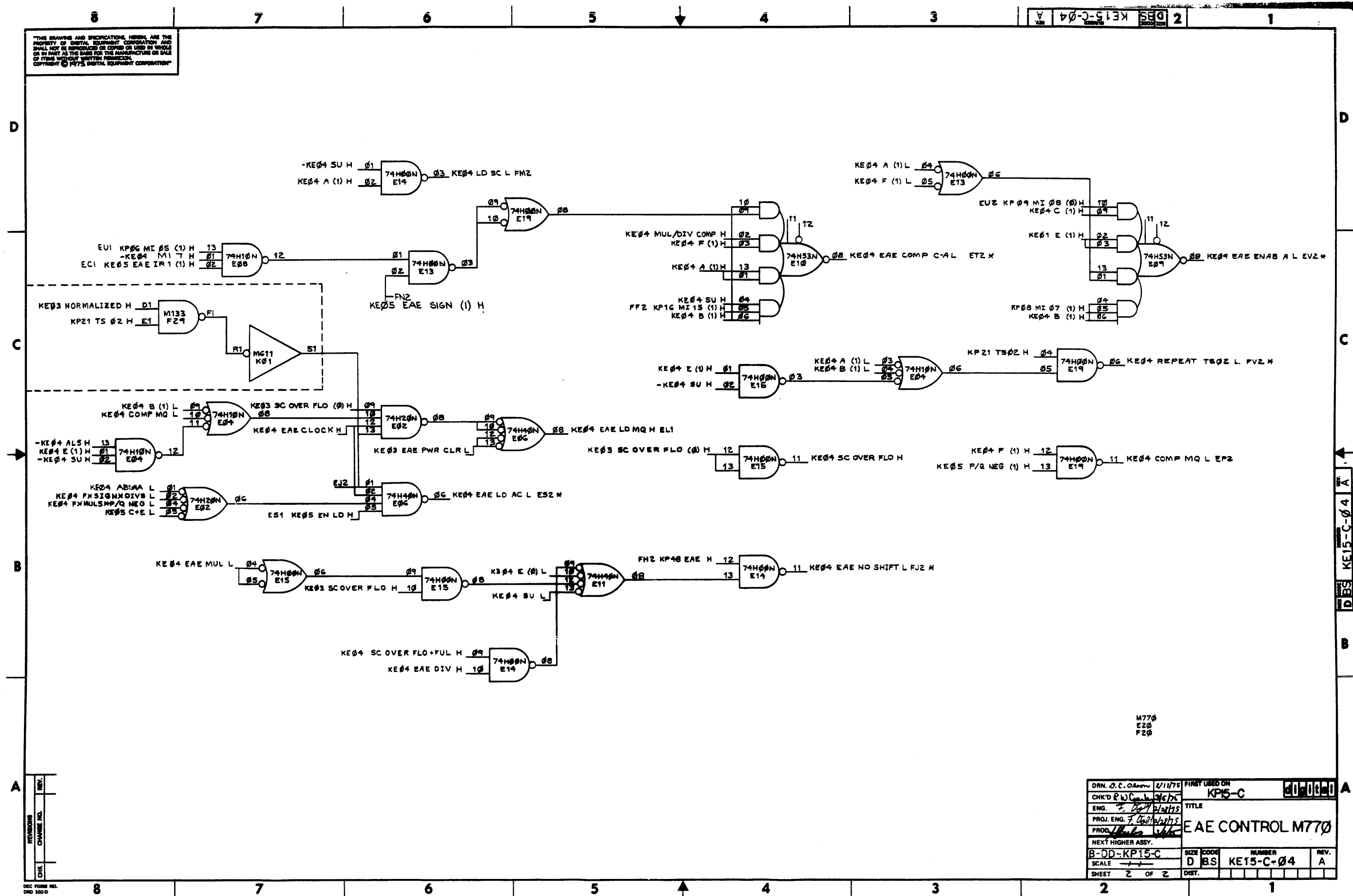
D BS KE15-C-04 A

B

A

THIS DRAWING AND SPECIFICATIONS HEREIN ARE THE PROPERTY OF DIGITAL EQUIPMENT CORPORATION AND SHALL NOT BE REPRODUCED OR COPIED OR USED IN WHOLE OR IN PART AS THE BASIS FOR THE MANUFACTURE OR SALE OF ITEMS WITHOUT WRITTEN PERMISSION. COPYRIGHT © 1975 DIGITAL EQUIPMENT CORPORATION

D E S K E I 5 - C - 0 4 2



M770
E20
F20

DRN. O. C. Olson	2/11/75	FIRST USED ON	KP15-C
CHK'D R. W. C. ...	3/5/75	TITLE	EAE CONTROL M770
ENG. F. ...		SIZE	D BS
PROJ. ENG. F. ...		NUMBER	KET15-C-04
PROD. ...		REV.	A
NEXT HIGHER ASSY.		SCALE	
B-DD-KP15-C		SHEET	2 OF 2

REV.	
CHANGE NO.	
CHK	

DEC FORM NO. DDD 102-0

THIS DRAWING AND SPECIFICATIONS HEREIN ARE THE PROPERTY OF DIGITAL EQUIPMENT CORPORATION AND SHALL NOT BE REPRODUCED OR COPIED OR USED IN WHOLE OR IN PART AS THE BASIS FOR THE MANUFACTURE OR SALE OF ITEMS WITHOUT WRITTEN PERMISSION. COPYRIGHT © 1975 DIGITAL EQUIPMENT CORPORATION

90-C-06 KE15-C-06

SETUP INSTRUCTIONS

EVENT TIMES	CP OPERATIONS	LRS(S) MEMA(1):SIGNED 640500	LLS(S) 640600	ALS(S) 640700	NORM(S) ⁰ 640444	MUL(S) 653122	DIV(S) 640323	IDIV(S) 653323	FRDIV(S) 650323	CP OPERATIONS	EAE NOP 640000	LACQ 641002	LALS 641001	CLQ 650000	ABS 644000	GSM 664000	OSC 640001	OMQ 640002	CMQ 640004	LMG 652000	
A AC MODIFICATIONS		MEM IN 4 (1): AC00 (1): 1 → LINK MEM IN 12-17 → SC, LOAD SC				MEM IN 12-17 → SC MEM 6(1): AC00 (1): 1 → SIGN MEM 6(1): L ≠ AC00: 1 → P/Q NEG									AC → C BUS LDAC IF AC00(1)	AC → C BUS IF AC00(1) SET LINK, LD AC					
B MQ TRANSFERS	FETCH TS02	MQ → MQ				SIGN(0): AC → MQ SIGN(1): AC → MQ	SIGN(1): COMP MQ	SIGN(1): AC → MQ SIGN(0) AC → MQ	0 → MQ	FETCH TS02	MQ → MQ	MQ → MQ	MQ → MQ	MQ → C BUS LD MQ	MQ → MQ	MQ → MQ	MQ → MQ	MQ → MQ	MQ → MQ	MQ → C BUS LD MQ	AC → C BUS LD MQ
C AC TRANSFERS		AC → AC				MEMB(1): 0 → AC		MEMB(1): 0 → AC			AC → AC	MQ → C BUS LD AC	SC → C BUS LD AC	AC → AC	AC → AC	AC → AC	SC → C BUS AC → C BUS LD AC	MQ → C BUS AC → C BUS LD AC	AC → AC	AC → AC	
D NO TRANSFERS	FETCH TS03 SET EAE						0 → TEMP	0 → TEMP	0 → TEMP	FETCH TS03 SET FETCH											
E SHIFTS	EAE TS01 TS02 LOOP IN TS02 UNTIL SC OVERFLOW OR NORMALIZED	LRS DECODED L AC00 AC → AC + 1 AC17 → MQ00 MQ → MQ + 1 MQ17 → LOST	LLS DECODED L → MQ17 MQ → MQ - 1 MQ00 → AC17 AC → AC - 1 AC00 → LOST	ALS DECODED L → AC17 AC → AC - 1	NORMS DECODED L → MQ17 MQ → MQ - 1 MQ00 → AC17 AC → AC - 1 AC00 → LOST 1 → F WHEN NORMALIZED	MQ17(1): ADD MEM TO AC SHIFT LEFT MQ17(1): SHIFT LEFT L → AC00 MQ17 LOST SUB BUS MQ00 MQ → MQ + 1 SIGN(1) AC → 1	CHECK FOR DIVIDE OVERFLOW IF CARRY ON FIRST OR SECOND SUB 1 → OVERFLOW TEMP(1) ADD TEMP(0) SUB SHIFT LEFT	SAME AS DIV	SAME AS DIV												
F COMPLEMENTING SET EXECUTE	EAE TS03					P/Q NEG (1): COMP MQ P/Q NEG (1): COMP AC															

- NOTES: 1. AN INTERRUPT IS HELD OFF FOR 2 CYCLES AFTER A NORM INSTRUCTION TO ALLOW A DAC TO STORE THE STEP COUNTER
2. DURING LRS, LLS, ALS AND NORM OPERATIONS SHIFTING IS DONE AT TWICE THE NORMAL PULSE RATE. SHIFT AT PHASE 1 AND PHASE 3 TIME.

QUANTITY & VARIATION	DESCRIPTION	DWG. PART NO.	ITEM NO.
	UNLESS OTHERWISE SPECIFIED DIMENSIONS ARE IN INCHES		
THIRD ANGLE PROJECTION	ANGLES OF 20	CLASS OF ACCURACY	NOMINAL DIMENSIONS RANGE INCHES
	SURFACE QUALITY	(CHECK ONE)	0.005 0.003 0.002 0.001 0.0005 0.0002
REMOVE BURRS AND BREAK SHARP CORNERS	MICROMETERS	MEDIUM	1.000 1.000 1.000 1.000 1.000 1.000
		PREFERRED	1.002 1.000 1.000 1.000 1.000 1.001
DO NOT SCALE DWG	DRAWN BY CHK'D BY ENGR. BY PROD. BY	FIRST USED ON KPI5-C	TITLE EAE FLOW
MATERIAL	D. DD - KPI5 - C	DWG. CODE D FD	NUMBER KE15-C-06
FINISH	SCALE	SHEET OF	DIST.

REV. CHANGE NO.

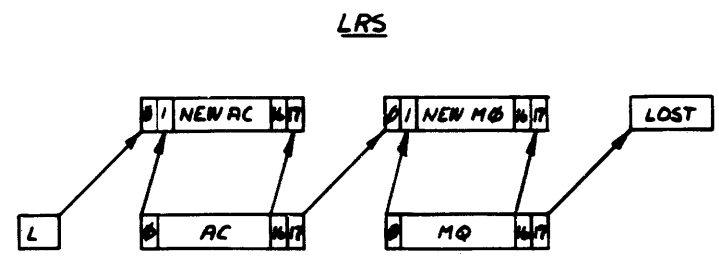
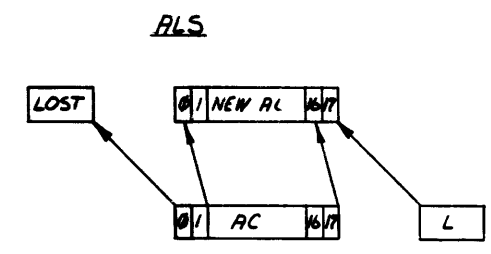
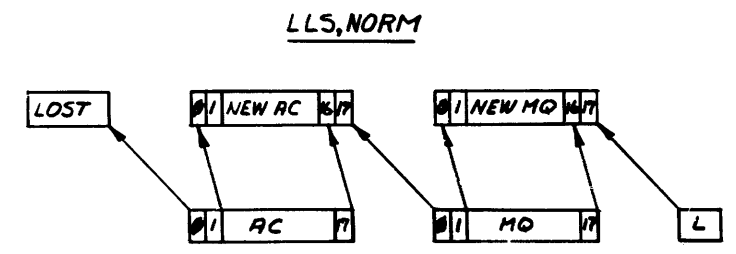
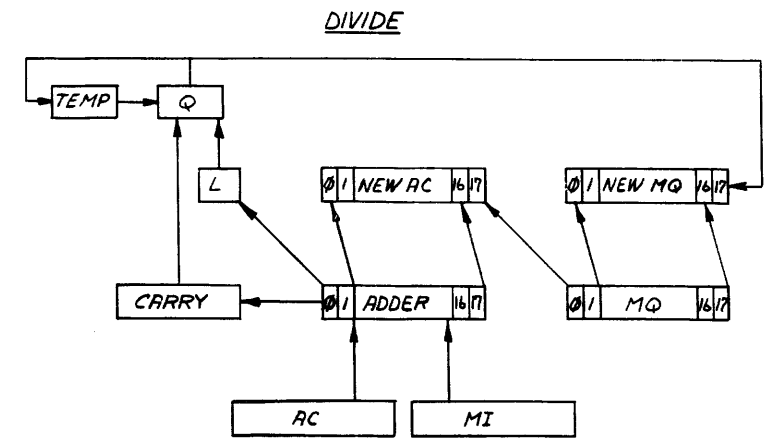
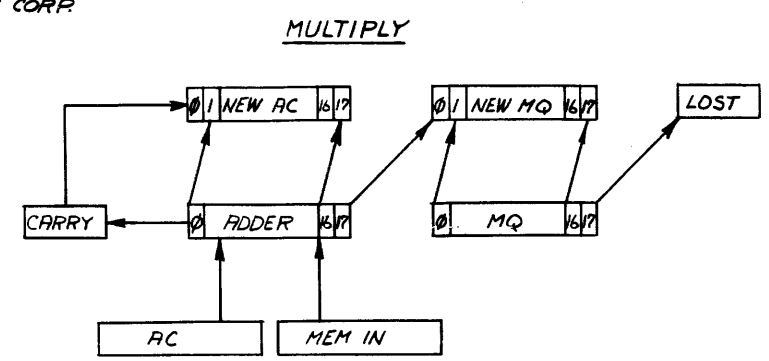
8 7 6 5 4 3 2 1

KE15-C-06

This drawing and specifications, herein, are the property of Digital Equipment Corporation and shall not be reproduced or copied or used in whole or in part as the basis for the manufacture or sale of items without written permission.

COPYRIGHT © 1975
DIGITAL EQUIPMENT CORP.

REV 2
SIZE CODE 3003212
NUMBER KE15-C-07



REV.	
CHANGE NO.	
DATE	

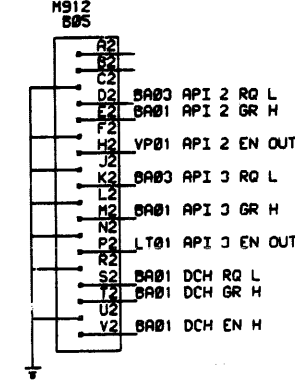
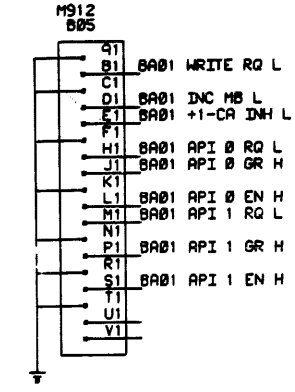
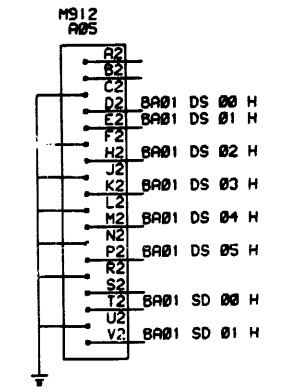
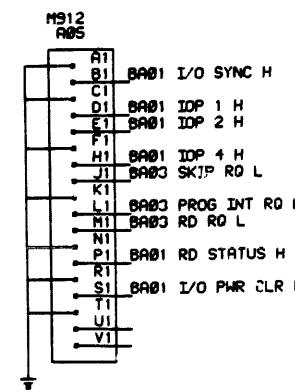
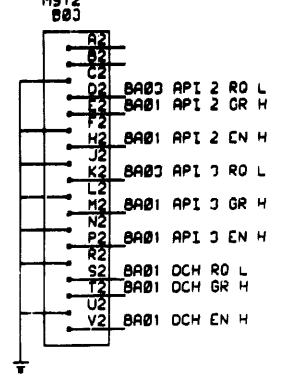
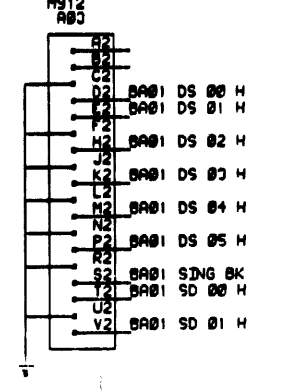
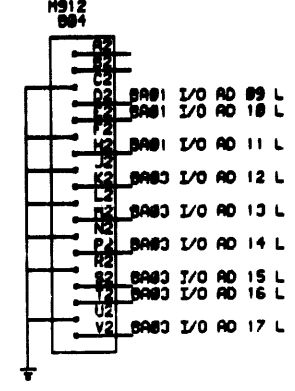
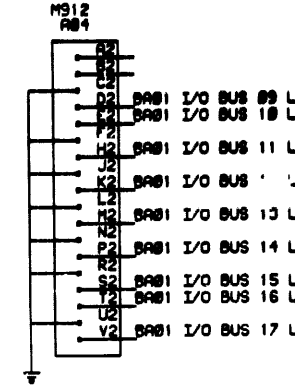
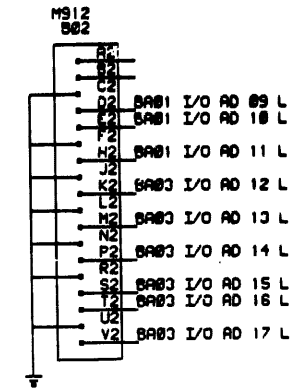
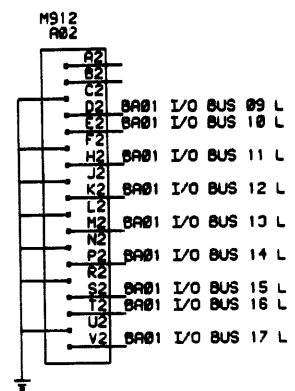
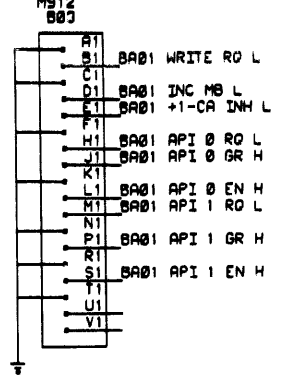
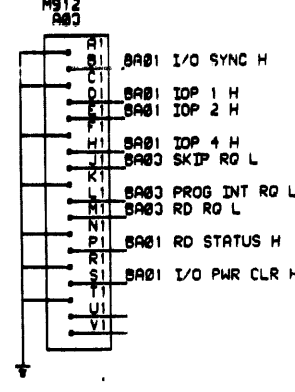
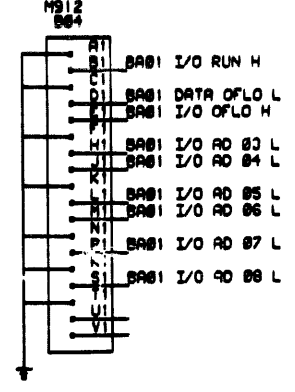
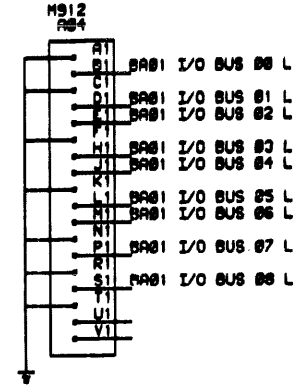
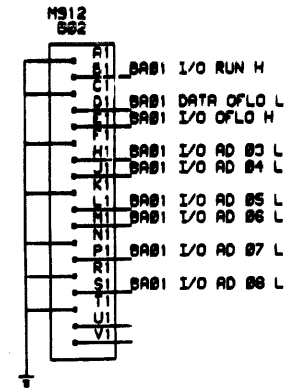
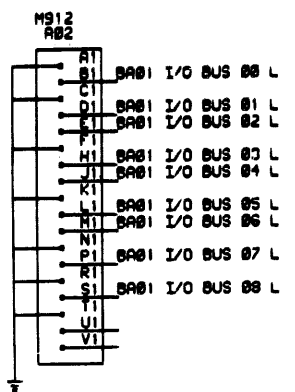
FIRST USED ON OPTION/MODEL
KE15

DO NOT SCALE DRAWING	DATE 2-2-75
UNLESS OTHERWISE SPECIFIED	DATE 1/14/75
DIMENSION IN INCHES	DATE 3/21/75
TOLERANCES	DATE 3/21/75
DIMENSIONS	DATE 3/21/75
ANGLES	DATE 3/21/75
FINISH	DATE 3/21/75

QTY.	DESCRIPTION	PART NO.	ITEM NO.
PARTS LIST			
EQUIPMENT CORPORATION BOSTON, MASSACHUSETTS			
TITLE DATA FLOW			
SHEET 2 OF 2			
REV. 2			

8 7 6 5 4 3 2 1

8
7
6
5
4
3
2
1



NOTE: PINS A1, C1, F1, K1, N1, AND R1 ARE GROUNDED

NOTE: PINS F2, J2, L2, N2, R2, AND U2 ARE BUSSED TO GROUND

CHK	DATE	BY
NR	BA15-00001	IA
	K COLE 2/17/78	
	F RUMANN 2/28/78	
	BA15-00008	IA
	BA15-00008	IA
	BA15-00008	IA
	BA15-00008	IA

DATE	BY	TITLE
11/12/69	M SCHURMAN	
11/12/69	N RHEULT	
12/3/69	E NEUMYER	I/O BUS INTERFACE
12/3/69	F RUMANN	
12/6/69	F LASKY	

PART USED ON
BA15

SCALE: D IC BA15-0-01

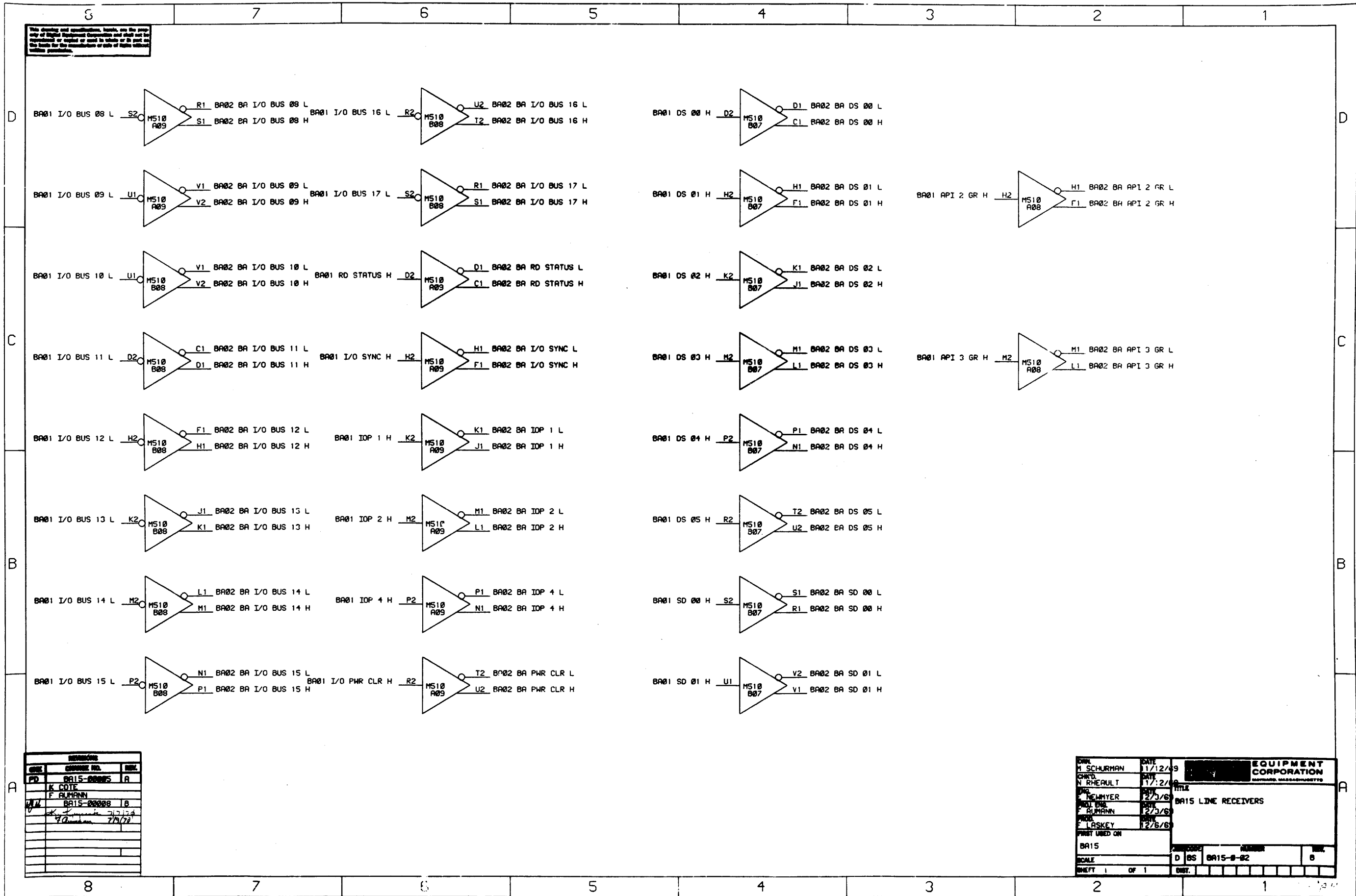
SHEET 1 OF 1

8 7 6 5 4 3 2 1

A

A

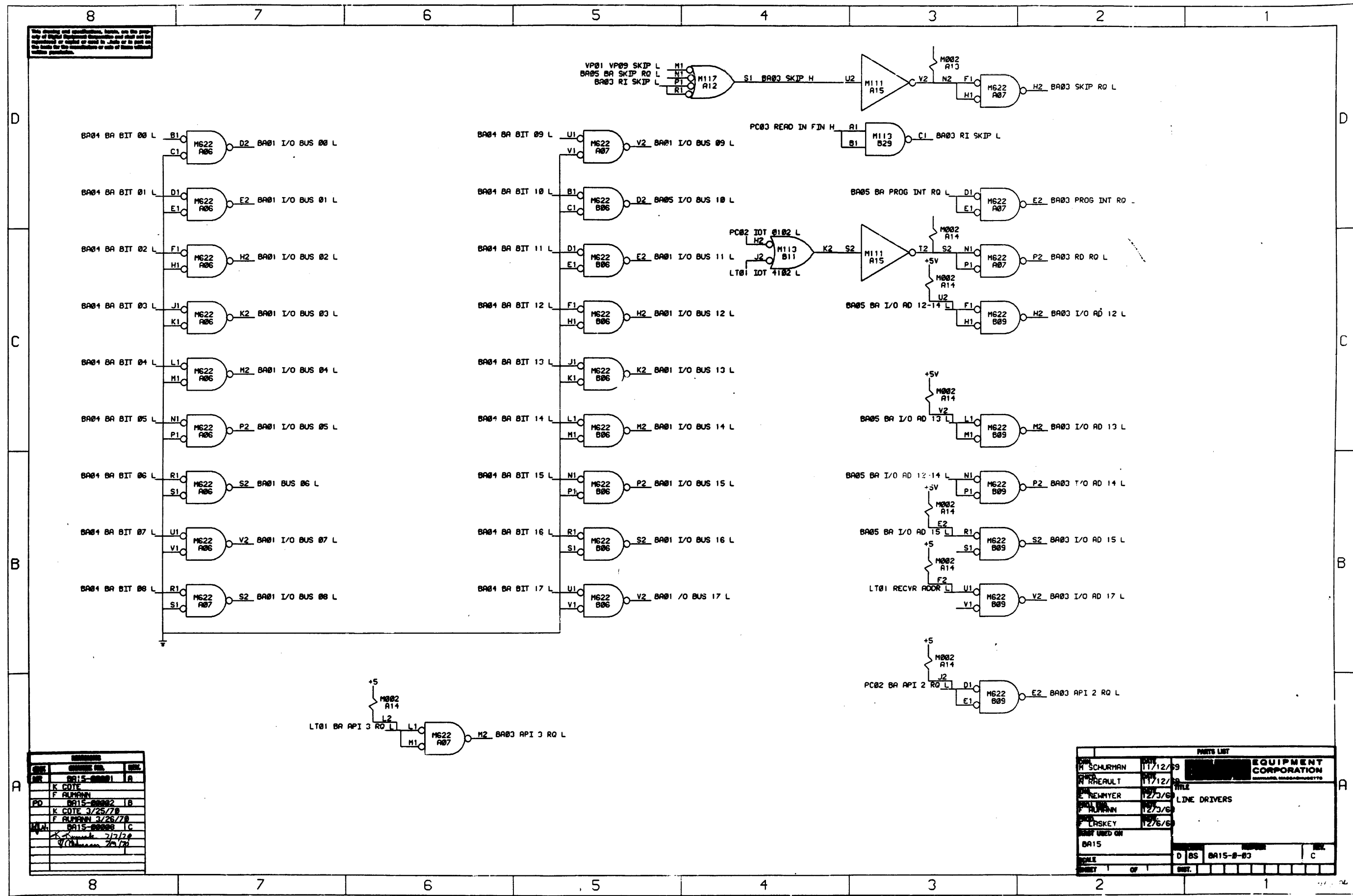
This drawing and specifications, herein, are the property of Digital Equipment Corporation and shall not be reproduced or copied or used in whole or in part or the basis for the manufacture or sale of rights without written permission.



REVISIONS		
REV.	CHANGE NO.	BY
PD	BA15-00005	RA
	K COTE	
	F RUMANN	
	BA15-00000	IB
	<i>K. J. ...</i>	<i>7/2/78</i>
	<i>F. ...</i>	<i>7/2/78</i>

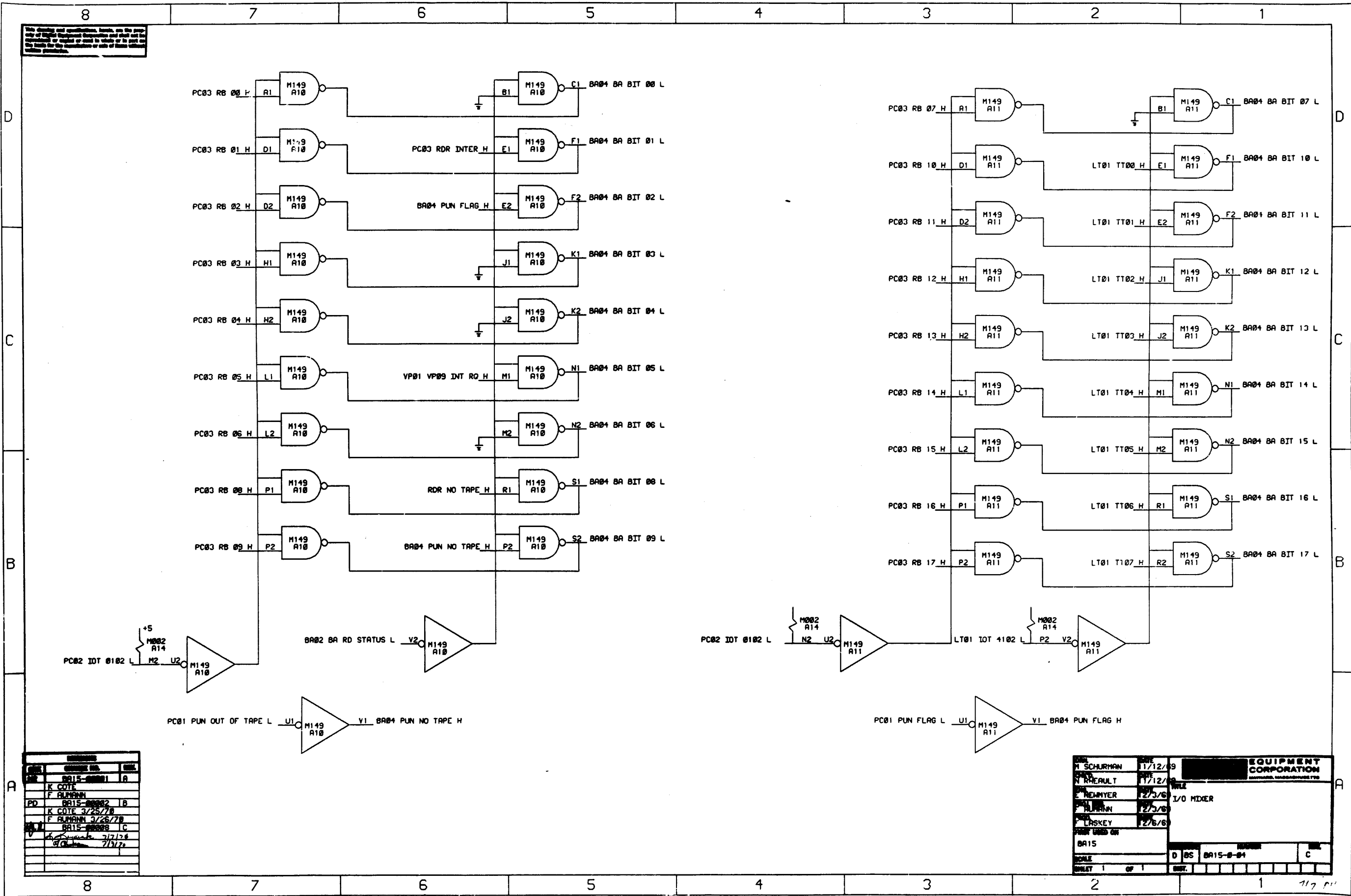
DRAWN		DATE		EQUIPMENT CORPORATION	
H. SCHURMAN	11/12/69			MAYFORD, MASSACHUSETTS	
CARD.					
N. RHEAULT	11/2/69				
TITLE		BA15 LINE RECEIVERS			
BY	DATE				
F. NEUMYER	2/3/68				
BY	DATE				
F. RUMANN	2/3/68				
BY	DATE				
F. LASKEY	12/6/68				
PART USED ON					
BA15					
SCALE		D	BS	BA15-B-02	B
SHEET 1 OF 1		DWT.			

Use drawing and specifications herein as the primary authority in the event of conflict with the printed specifications of the manufacturer of any component or material used in the construction of this vehicle.



REV	CHANGE NO.	DATE
01	BA15-00001	A
	K COTE	
	F RAFFANN	
02	BA15-00002	B
	K COTE 3/25/78	
	F RAFFANN 3/26/78	
03	BA15-00003	C
	K COTE 7/17/79	
	F RAFFANN 7/17/79	

PARTS LIST		
DESIGNER	DATE	EQUIPMENT CORPORATION MILWAUKEE, WISCONSIN
M. SCHURMAN	11/12/69	
DR	DATE	TITLE
M. RAULT	11/12/69	
DESIGNED BY	DATE	LINE DRIVERS
E. NEWMYER	12/3/68	
DESIGNED BY	DATE	REV.
F. RAFFANN	12/3/68	
DESIGNED BY	DATE	D
F. LASKEY	12/6/68	
USED ON		BS
BA15		BA15-0-03
SCALE		C
QUANTITY	OF	



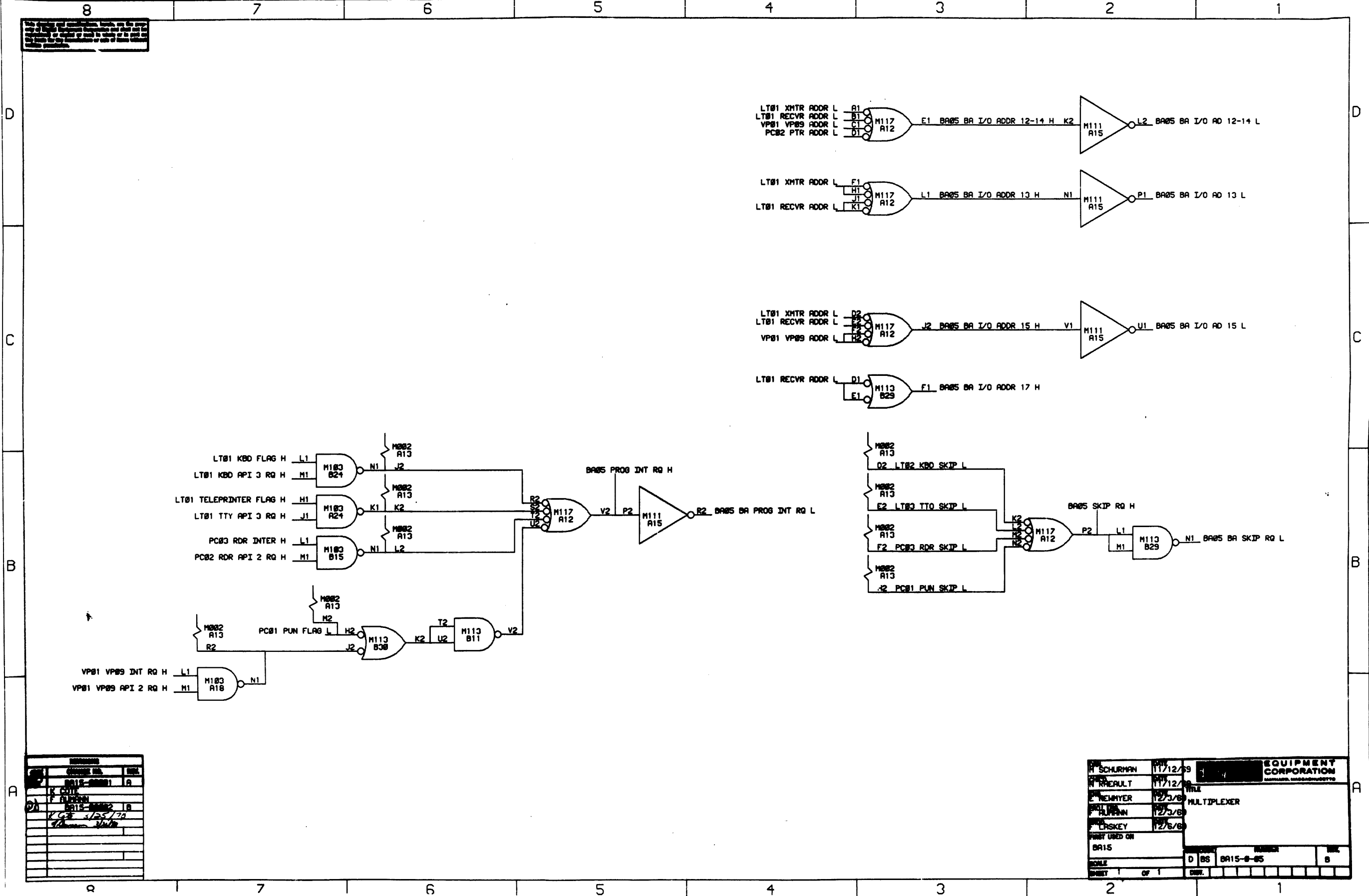
This drawing and specifications, based on the property of the manufacturer, are the property of the manufacturer and shall not be reproduced or copied or used in whole or in part on any other drawing or specification or any other drawing without permission.

REV.	DESCRIPTION	DATE
1	BA15-00001	A
2	K COTE	
3	F ALMANN	
4	PD BA15-00002	B
5	K COTE 3/25/70	
6	F ALMANN 3/26/70	
7	BA15-00008	C
8	2/21/70	

NAME	DATE	REVISION
SCHURMAN	1/12/69	
REHULT	1/12/69	
REMYER	2/3/69	
ALMANN	2/3/69	
LASKEY	2/6/69	

I/O HDXR
 BA15
 D BS BA15-0-04
 C
 SHEET 1 OF 1

Use of this drawing is limited to the specific equipment and system for which it was prepared. It is not to be used for any other purpose without the written approval of the originator.



REV	DESCRIPTION	DATE	BY
1	BA15-8-65		
2	K. SCHURMAN		
3	F. RHEULT		
4	BA15-8-65		
5	K. SCHURMAN	11/25/59	
6			
7			
8			
9			
10			

REV	DESCRIPTION	DATE	BY
1	BA15-8-65		
2	K. SCHURMAN	11/12/59	
3	F. RHEULT	11/12/59	
4	H. REMMYER	12/3/59	
5	F. ALPANN	12/3/59	
6	F. LASKEY	12/5/59	

FIRST USED ON
BA15

SCALE
D BS BA15-8-65

SHEET 1 OF 1

EQUIPMENT CORPORATION
MILWAUKEE, WISCONSIN

This drawing and specifications herein are the property of Equipment Corporation and shall not be used for any other purpose without the written permission of the company.

M981
R29

R1	BA65	PROG INT RQ H
R2	BA65	SKIP H
R3	PC82	IND RDR API 2 H
R4	PC82	IND VP85 API 2 H
R5	LT81	IND KBD API 3 H
R6	LT81	IND TTY API 3 H
R7	PC83	RDR INTER H
R8	BA64	PUN FLG H
R9	VP81	VP85 INT RQ H
R10	LT81	KBD FLG H
R11	LT81	TELEPRINTER FLG H
R12	BA65	BA I/O ADDR 12-14 H
R13	BA65	BA I/O ADDR 13 H
R14	BA65	BA I/O ADDR 12-14 H
R15	BA65	BA I/O ADDR 15 H
R16	BA65	BA I/O ADDR 17 H

M981
R29

R1	PC83	RB 08 H
R2	PC83	RB 01 H
R3	PC83	RB 02 H
R4	PC83	RB 03 H
R5	PC83	RB 04 H
R6	PC83	RB 05 H
R7	PC83	RB 06 H
R8	PC83	RB 07 H
R9	PC83	RB 08 H
R10	PC83	RB 09 H
R11	PC83	RB 10 H
R12	PC83	RB 11 H
R13	PC83	RB 12 H
R14	PC83	RB 13 H
R15	PC83	RB 14 H
R16	PC83	RB 15 H
R17	PC83	RB 16 H
R18	PC83	RB 17 H

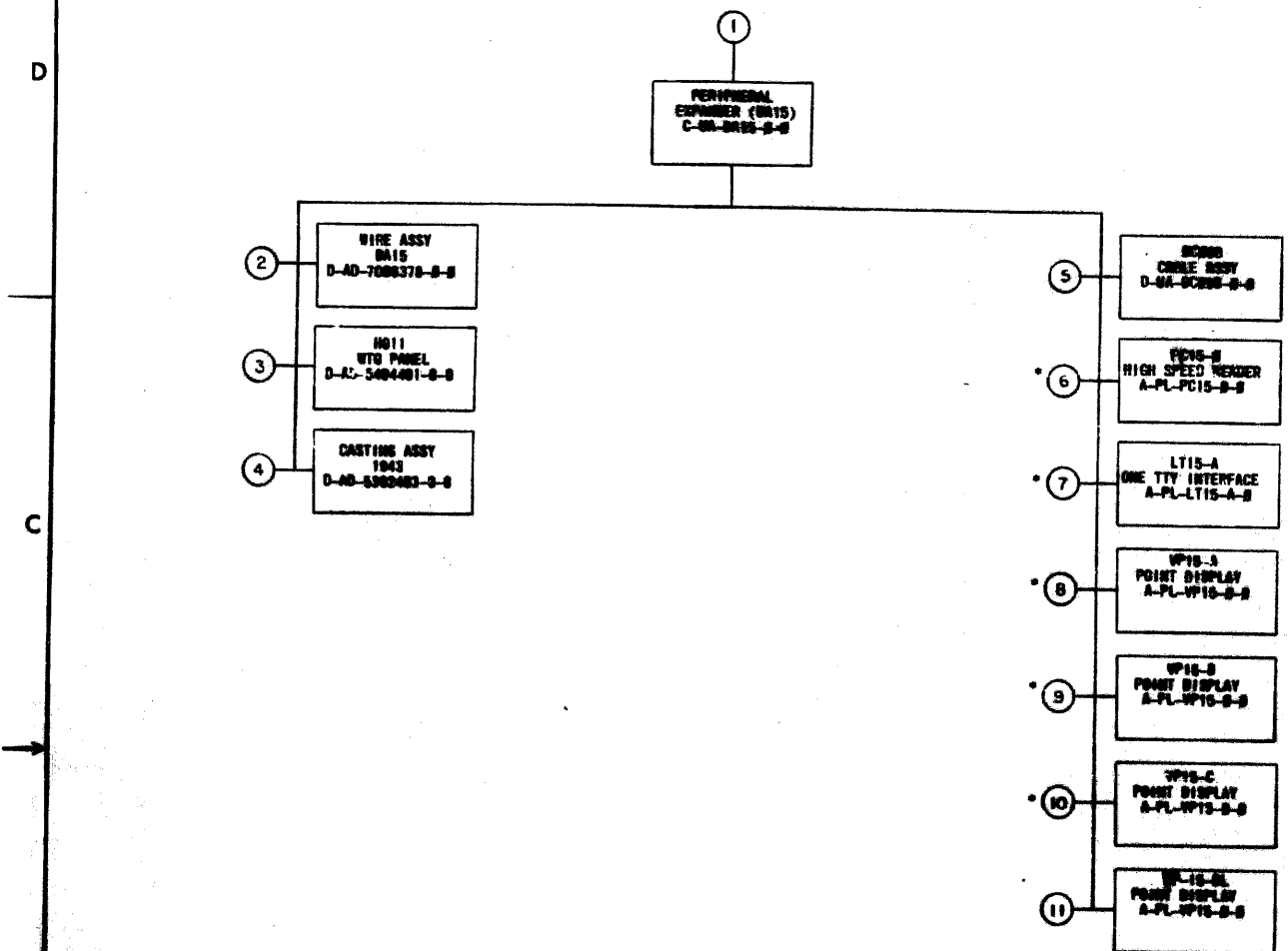
REV	DESCRIPTION	DATE
1	BA15-00001	A
2	BA15-00002	B
3	BA15-00002	B
4	BA15-00002	B
5	BA15-00002	B
6	BA15-00002	B
7	BA15-00002	B
8	BA15-00002	B
9	BA15-00002	B
10	BA15-00002	B
11	BA15-00002	B
12	BA15-00002	B
13	BA15-00002	B
14	BA15-00002	B
15	BA15-00002	B
16	BA15-00002	B
17	BA15-00002	B
18	BA15-00002	B
19	BA15-00002	B
20	BA15-00002	B

DESIGNED BY	SCHURMAN	DATE	1/12/69
DESIGNED BY	REARLT	DATE	1/12/69
DESIGNED BY	NEWMYER	DATE	2/3/68
DESIGNED BY	MURPHY	DATE	2/3/68
DESIGNED BY	LASKEY	DATE	2/6/68
TITLE			
INDICATOR CABLE			
FIRST USED ON			
BA15			
SCALE	D 3C	BA15-0-06	B
SHEET	1	OF	1
DATE			

EQUIPMENT CORPORATION
MILWAUKEE, WISCONSIN 53211

This drawing and specifications, herein, are the property of Digital Equipment Corporation and shall not be reproduced or used in whole or in part as the basis for the manufacture or sale of items without written permission.

BAIS-0-8



* INDICES OPTIONAL 17000

MECHANICAL					DEPT USAGE			ELECTRICAL					DEPT USAGE		
FIND NO.	DESCRIPTION	PART NO.	PROD	CUST	F/C	FIND NO.	DESCRIPTION	PART NO.	PROD	CUST	F/C	PROD	CUST	F/C	
1.	PERIPHERAL EXPANDER BAIS PERIPHERAL EXPANDER BAIS (PL) RETAINER BLOCK	C-UA-BA15-0-0 A-PL-BA15-0-0 C-MD-7407127-0-0				1.	PERIPHERAL EXPANDER (BAIS) WIRE LIST (BAIS) I/O BUS INTERFACE BAIS LINE RECEIVERS LINE DRIVERS I/O MIXER I/O MULTIPLEXER MODULE UTILIZATION MODULE UTILIZATION (PL) INDICATOR CABLE BAIS SPECIFICATION	A-ML-BA15-0 E-ML-BA15-0-00 D-BS-BA15-0-1 D-BS-BA15-0-2 D-BS-BA15-0-3 D-BS-BA15-0-4 D-BS-BA15-0-5 D-MU-BA15-0-07 A-PL-BA15-0-07 D-IC-BA15-0-06 A-SF-BA15-0-10							
2.	WIRED ASSY BAIS WIRED ASSY BAIS (PL) LOGIC FRAME DECALS	D-AD-7006378-0-0 A-PL-7006378-0-0 A-DC-7406371-0-0				2.	WIRED ASSY (BAIS) WIRED ASSY (BAIS) (PL)	D-AD-7006378-0-0 A-PL-7006378-0-0							
3.	WTS PANEL TYPE NO11 WTS PANEL TYPE NO11 (PL) 300 PTH CONN BLOCK	D-AC-5404491-0-0 A-PL-5404491-0-0 E-SC-1205348-0-0				6.	HIGH SPEED RDR (PC15)	A-ML-PC15-0							
4.	CASTING ASSY (1943) CASTING ASSY (1943) (PL) 1943 FRAME CASTING	D-AD-5302483-0-0 A-PL-5302483-0-0 E-MD-1202085-0-0				7.	ONE TTY INTERFACE (LT15-A)	A-ML-LT15-A							
5.	BCDDB CABLE ASSY	D-UA-8C008-0-0				8.	POINT DISPLAY (VP15-A)	A-ML-VP15-A							
6.*	HIGH SPEED READER PC15	A-PL-PC15-0-0				9.	POINT DISPLAY (VP15-B)	A-ML-VP15-B							
7.*	ONE TTY INTERFACE LT15-A	A-PL-LT15-A-0				10.	POINT DISPLAY (VP15-C)	A-ML-VP15-C							
8.*	POINT DISPLAY VP15-A	A-PL-VP15-0-0				11.	POINT DISPLAY (VP15-BL)	A-ML-VP15-BL							
9.*	POINT DISPLAY VP15-B	A-PL-VP15-0-0													
10.*	POINT DISPLAY VP15-C	A-PL-VP15-0-0													
11.	POINT DISPLAY VP15-BL	A-PL-VP15-0-0													

REV. 1
REV. 2
REV. 3
REV. 4
REV. 5
REV. 6
REV. 7
REV. 8
REV. 9
REV. 10
REV. 11
REV. 12
REV. 13
REV. 14
REV. 15
REV. 16
REV. 17
REV. 18
REV. 19
REV. 20
REV. 21
REV. 22
REV. 23
REV. 24
REV. 25
REV. 26
REV. 27
REV. 28
REV. 29
REV. 30
REV. 31
REV. 32
REV. 33
REV. 34
REV. 35
REV. 36
REV. 37
REV. 38
REV. 39
REV. 40
REV. 41
REV. 42
REV. 43
REV. 44
REV. 45
REV. 46
REV. 47
REV. 48
REV. 49
REV. 50

FIRST USED ON OPTION/MODEL
BAIS

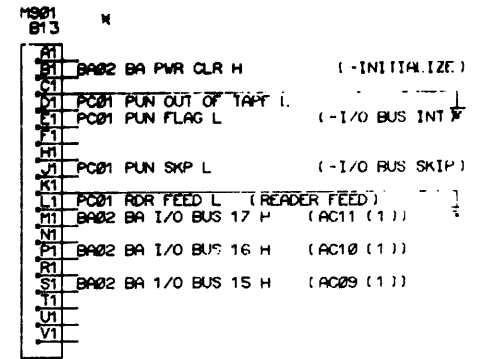
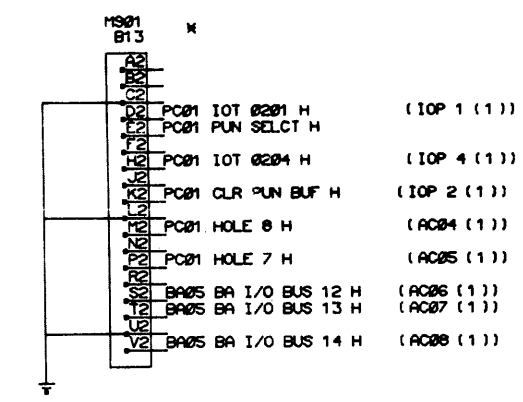
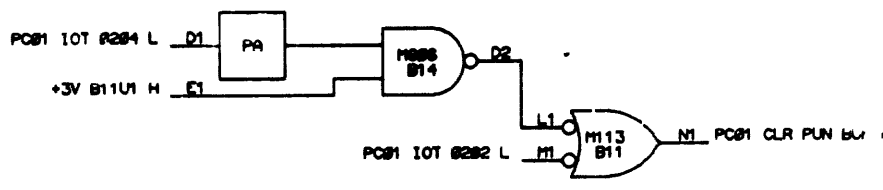
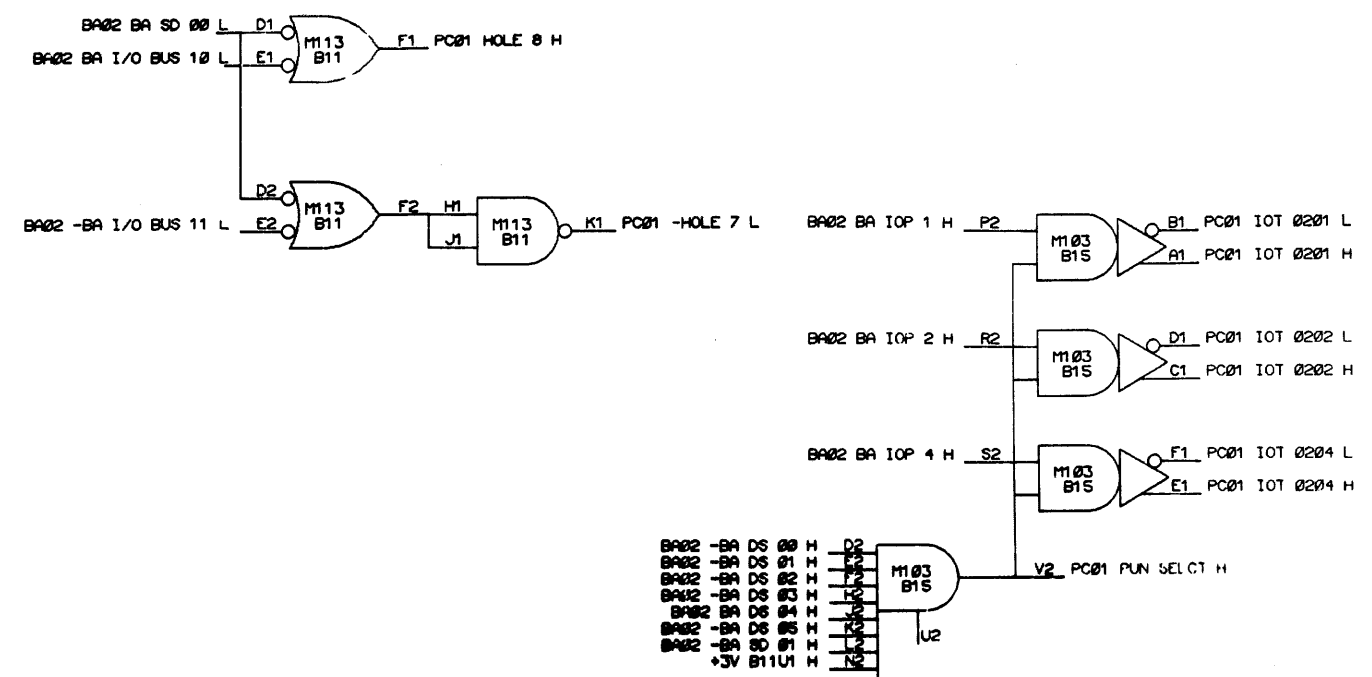
UNLESS OTHERWISE SPECIFIED
DIMENSIONS IN INCHES
TOLERANCES
FINISHES
MATERIALS
METHODS OF MANUFACTURE
STRENGTHS
TEMPERATURES
COATINGS
OTHER REQUIREMENTS
SPECIFICATIONS
NOTES
REVISIONS
DATE
BY
CHECKED
DATE
BY

QTY.	DESCRIPTION	REV. NO.
	B. THELLEN	1-2-77
	COOK	1-2-77
	AUSMAN	1-2-77
	ALMANN	1-2-77
	MASKEY	1-2-77
	NEWY NUMBER ASSY	
	C-UA-BA15-0-0	

DRAWING INDEX
LIST BAIS

BAIS-0-8

The drawing and construction shall be the responsibility of the contractor and shall not be construed as a warranty of any kind by the manufacturer of any of the parts or materials used.

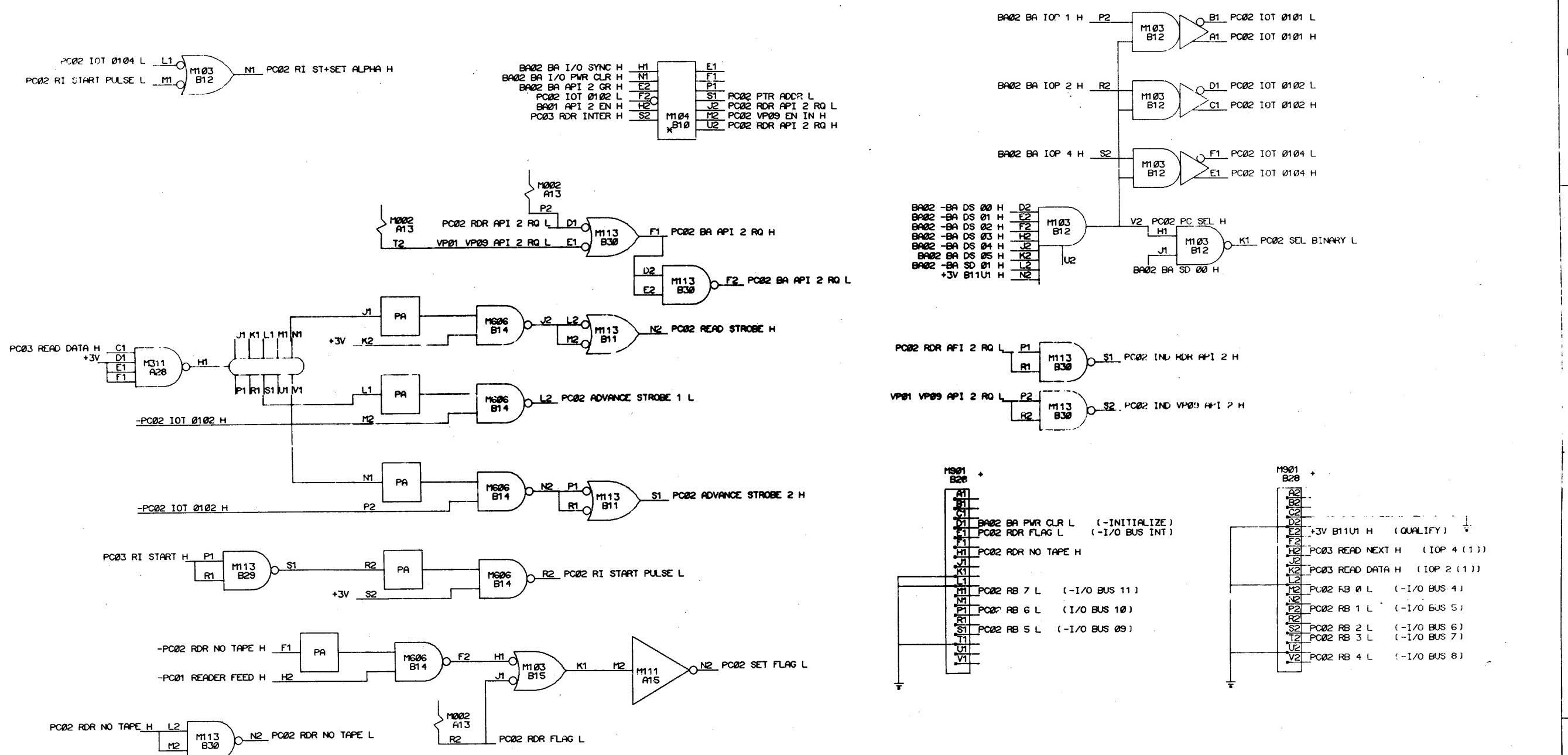


* PC05 SIGNAL NAMES INDICATED IN PARENTHESES IF DIFFERENT

REV	DESCRIPTION	DATE	BY	CHKD	
NR	BR15-00001	A	W1	BR15-00014	F
	K COTE			K WALSH 3/30/71	
	F ALMANN			F ALMANN 3/31/71	
PD	BR15-00002	B	H/L	BR15-00020	F
	K COTE			2/1/71 2-21	
	F ALMANN			9/15/71	
PD	BR15-00003	C			
	K COTE 4/9/70				
	F ALMANN 4/13/70				
GH	BR15-00012	D			
	R SOFKA 2-17-71				
	F ALMANN 2-22-71				

Y. SCHURMAN	11/12/69	EQUIPMENT CORPORATION HIGH SPEED PUNCH CONTROL
N. HEALTY	11/12/69	
N. NEWMYER	12/3/69	
F. ALMANN	12/3/69	
T. ASKEY	12/6/69	
BR15 D BS PC15-0-01		

This drawing and specifications, herein, are the property of Digital Equipment Corporation. They are to be used only for the manufacture or sale of items under license from Digital Equipment Corporation.



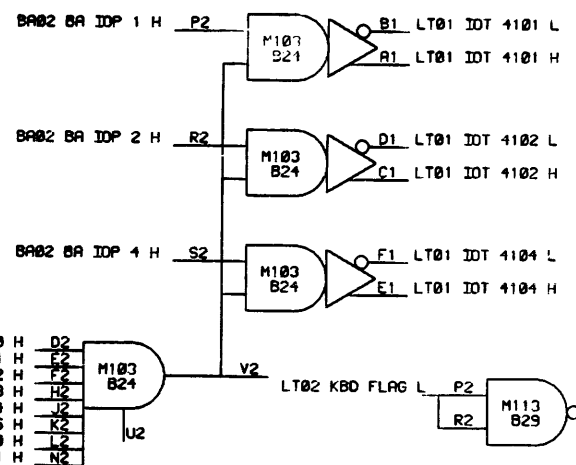
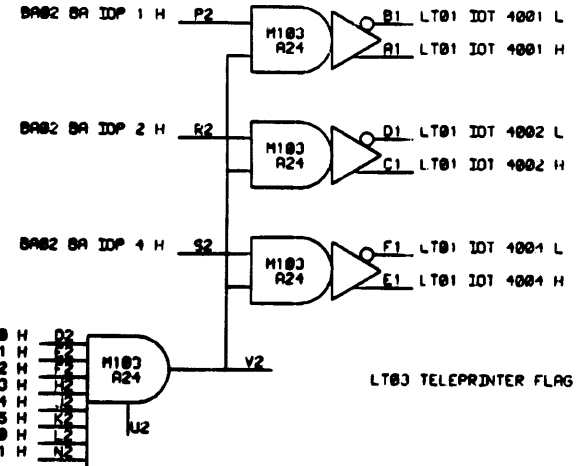
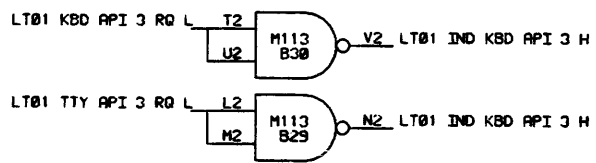
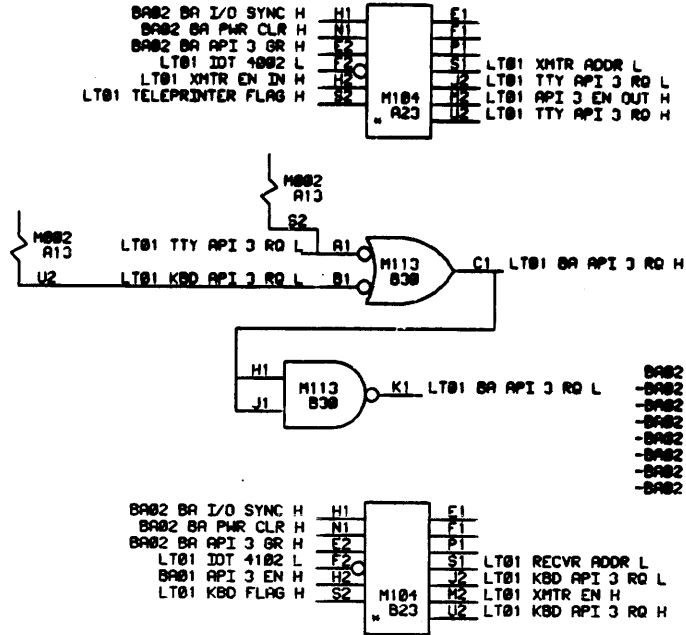
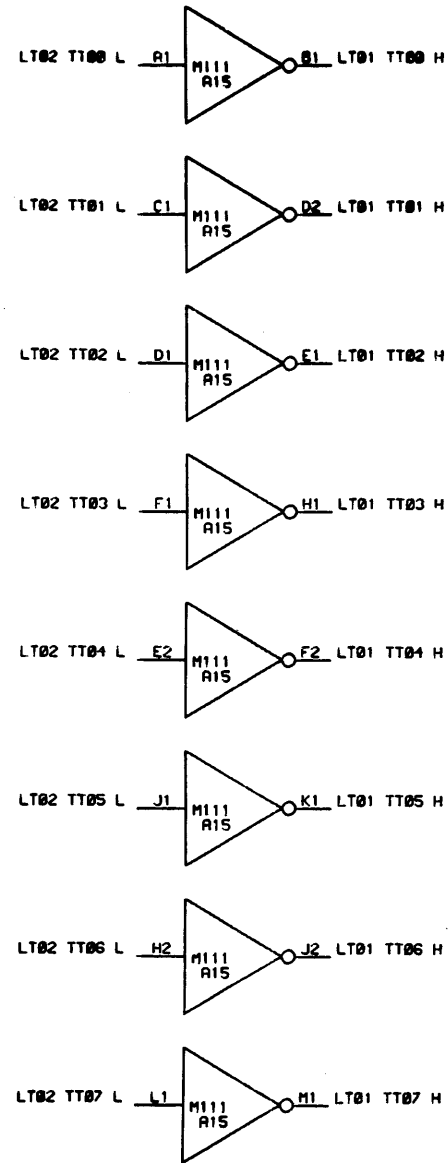
DELETE B10H2 TO B10H2 WHEN INSTALLING PC15

+ PC05 SIGNAL NAMES INDICATED IN PARENTHESES IF DIFFERENT

CHK	CHK	CHK	CHK	CHK	CHK
NR	BA15-00001	A	GH	BA15-00002	C
	K COTE			K KRYSTAK 7/7/70	
	F ALMANN			F ALMANN 7/9/70	
PD	BA15-00002	B	GH	BA15-00012	F
	K COTE			R SOFKA 2-18-71	
	F ALMANN			F ALMANN 2-22-71	
PD	BA15-00004	C	GH	BA15-00014	H
	K COTE 4/9/70			K WALSH 4/5/71	
	F ALMANN 4/13/70			F ALMANN 4/5/71	
	BA15-00007	D		BA15-00020	J
	R SOFKA				
	F ALMANN				

1	SCHURMAN	1/12/69	EQUIPMENT CORPORATION CORPORATION
2	REULT	1/12/70	
3	MYER	2/2/70	
4	ALMANN	2/2/70	
5	KEY	2/2/70	
HIGH SPEED READER CONTROL			
BA15			
D 06		PC15-0-02	
1 of 1			

This drawing and specifications, herein, are the property of Digital Equipment Corporation and shall not be reproduced or copied in whole or in part or by any means for the manufacture or sale of items which are similar thereto.



- BA02 BA DS 00 H D2
- BA02 BA DS 01 H E2
- BA02 BA DS 02 H F2
- BA02 BA DS 03 H G2
- BA02 BA DS 04 H H2
- BA02 BA DS 05 H J2
- BA02 BA DS 06 H K2
- BA02 BA DS 07 H L2
- BA02 BA DS 08 H M2

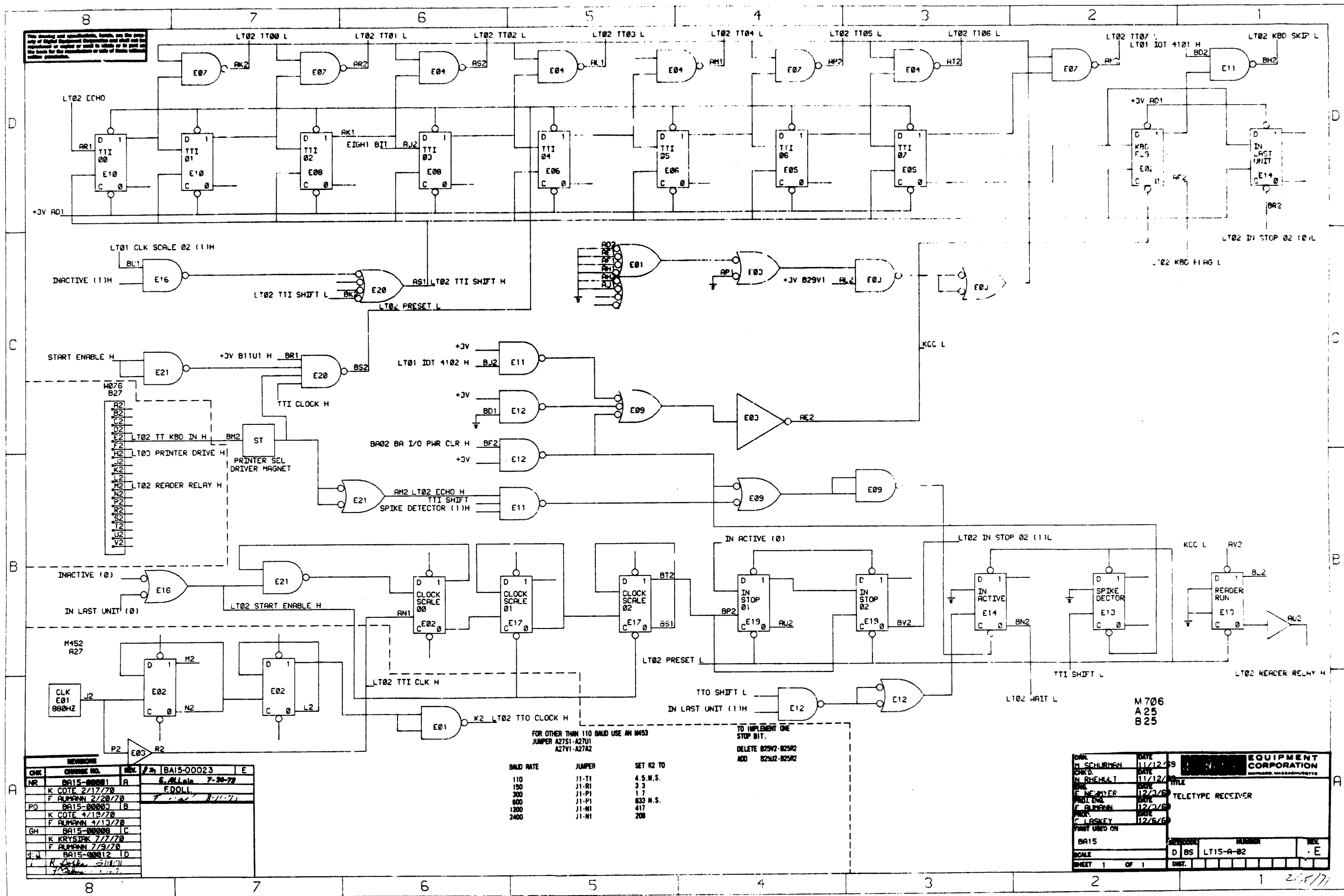
*DELETE A23M2 TO B23M2 WHEN INSTALLING LT15

CHK	CHANGE NO.	REV.
NR	BA15-00001	A
K CODE		
F RAYBURN		
PD	BA15-00002	B
K CODE 3/25/70		
F RAYBURN		
GH	BA15-00003	C
K KRYSYK 7/17/70		
F RAYBURN 7/19/70		
BA	BA15-00012	D
R. S. J. 01/17/71		
9/2/71		

DATE	BY	TITLE
11/12/69	M. SCHUBERT	TELETYPE CONTROL
11/12/69	M. BIEGALT	
11/20/69	F. SCHUYER	
12/3/69	B. ANN	
12/6/69	F. LASKEY	

PART USED ON: BA15
 SCALE: D 06
 SHEET: 1 OF 1
 EQUIPMENT CORPORATION
 NUMBER: LT15-A-01
 REV: D

This drawing and manufacturing, herein, are the property of Digital Equipment Corporation and shall not be reproduced or copied or used in whole or in part on the basis of the requirements of any other party without the written consent of Digital Equipment Corporation.



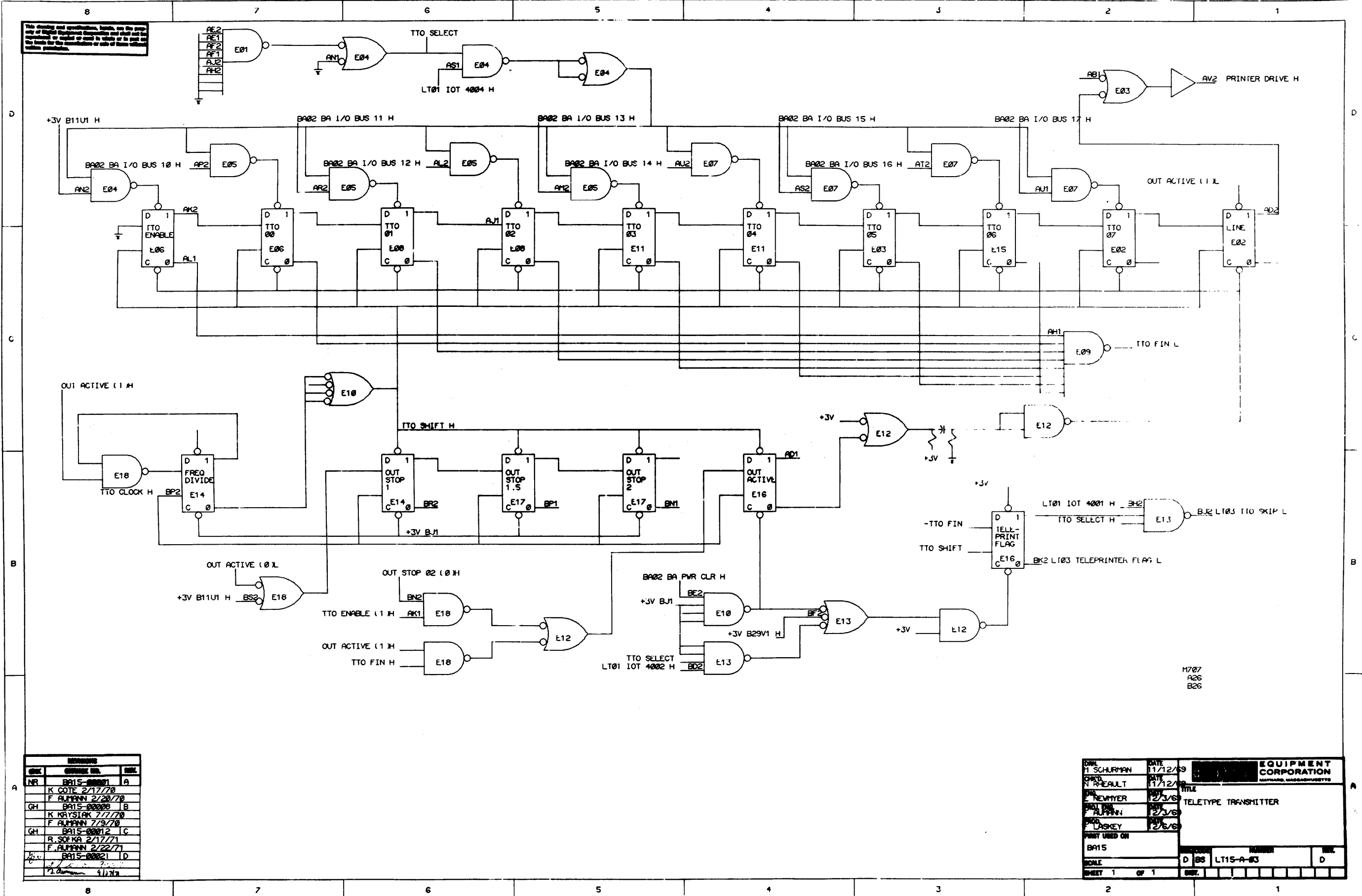
CHK	CHANGE NO.	REV	BY	DATE	DESCRIPTION
NR	BA15-00001	A	S. Ballin	7-30-77	FDOLL
K	COTE 2/17/78				
F	RUMANN 2/20/78				
PD	BA15-00003	B			
K	COTE 4/13/78				
F	RUMANN 4/13/78				
GH	BA15-00008	C			
K	KRYSIAK 7/7/78				
F	RUMANN 7/9/78				
LD	BA15-00012	D			
K	COTE 2/11/79				
F	RUMANN 2/11/79				

BAND RATE	JUMPER	SET K2 TO
110	J1-T1	4.5 M.S.
150	J1-R1	3.3
300	J1-P1	1.7
600	J1-N1	833 M.S.
1200	J1-M1	417
2400	J1-L1	208

DATE	BY	DESCRIPTION
11/12/69	H. SCHURMAN	
11/12/69	M. SHELL	
12/3/69	E. NEUMYER	TELETYPE RECEIVER
12/3/69	F. RUMANN	
12/6/69	C. LASKY	

DWA
 H. SCHURMAN
 M. SHELL
 E. NEUMYER
 F. RUMANN
 C. LASKY
 FIRST USED ON
 BA15
 SCALE
 SHEET 1 OF 1

This drawing and construction, built on the page of design and construction, shall be the property of the manufacturer and shall not be reproduced or copied in whole or in part without the written permission of the manufacturer.

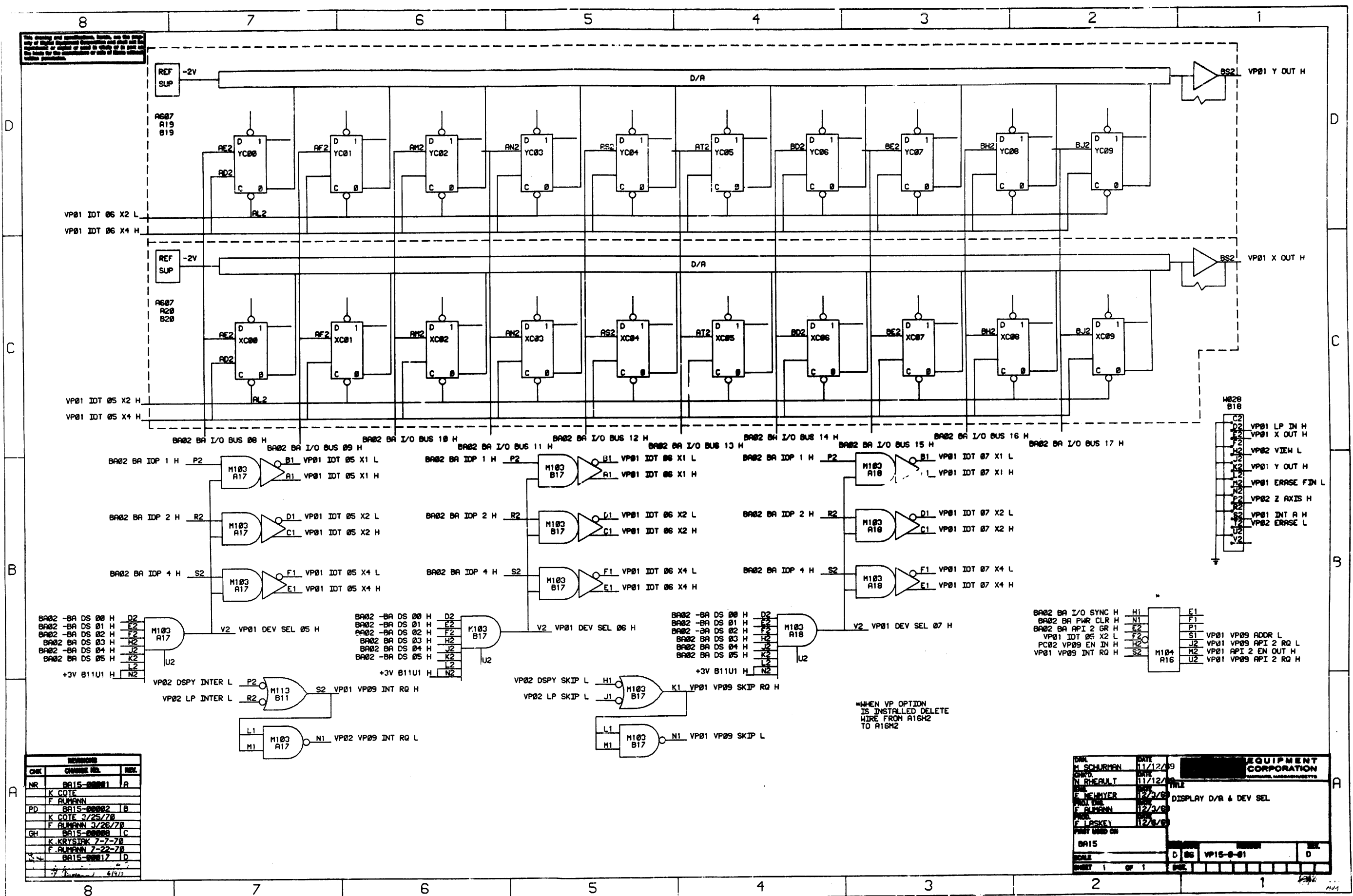


REV.	DESCRIPTION	DATE	BY
1	REVISED		
2	REVISED		
3	REVISED		
4	REVISED		
5	REVISED		
6	REVISED		
7	REVISED		
8	REVISED		

DATE	BY	TITLE
11/12/59	M. SCHURMAN	TELETYPE TRANSMITTER
11/12/59	N. REAULT	
12/3/59	E. NEWMYER	
2/3/60	F. ALMANN	
2/3/60	F. LASKEY	

SCALE	REV.	QTY.	DATE
D BS	1	1	

The drawing and associated items are the property of the equipment manufacturer and shall not be reproduced or copied or used in whole or in part without the written consent of the manufacturer.



CHK	CHANGE NO.	REV.
NR	BR15-00001	A
	K COTE	
	F RUMANN	
PD	BR15-00002	B
	K COTE 3/25/70	
	F RUMANN 3/26/70	
GH	BR15-00003	C
	K KRYSIAK 7-7-70	
	F RUMANN 7-22-70	
	BR15-00017	D
	7	

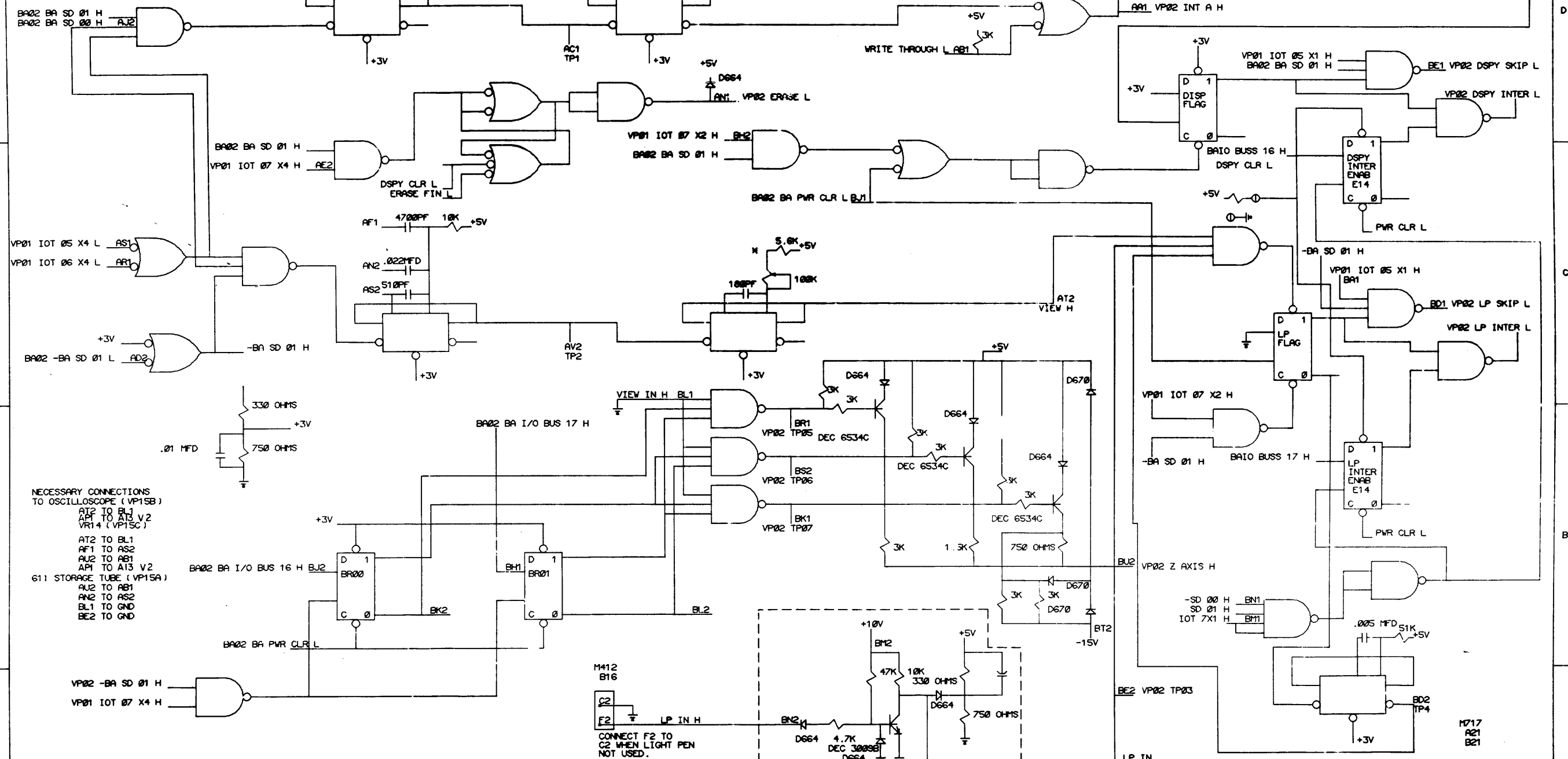
DATE	BY	REVISION
11/12/69	H. SCHURMAN	1
11/12/69	N. REICHLT	2
12/2/69	F. NEUMYER	3
12/3/69	F. RUMANN	4
12/8/69	F. LASKEY	5

EQUIPMENT CORPORATION
 10000 W. 10th Ave., Denver, CO 80202

BR15
 VP15-0-01
 1 OF 1

This drawing and associated parts are the property of IBM Corporation. It is to be used for the design and construction of equipment or systems for the use of IBM or its customers. It is not to be reproduced or copied in whole or in part without the written consent of IBM Corporation.

RESET DELAY AT PIN AT2 FOR
VR14
RMS03
611 STORAGE TUBE
GUS
GUS
.6US



NECESSARY CONNECTIONS TO OSCILLOSCOPE (VP15B)
AT2 TO BL1
AF1 TO AS2
AU2 TO AB1
API TO AI3 V2
G11 STORAGE TUBE (VP15A)
AU2 TO AB1
AN2 TO AS2
BL1 TO GND
BE2 TO GND

M412
B16
F2
CONNECT F2 TO C2 WHEN LIGHT PEN NOT USED.
FOR 378 LIGHT PEN, CONNECT B1F2 TO B21N2
FOR 374 LIGHT PEN, CONNECT B18D2 TO B.6N2
B16F2 TO B21E2
B21B2 TO B21N2

REV	DATE	BY	CHK	CHANGE NO.	REV
GH	8/15/71	AM1	AM2	BA15-00022	E
		K. KRYSIAK 7-2-71			
		F. ALTMAN 7-2-71			
		R. SOFKA 6/7/71			
		F. ALTMAN 6/8/71			
		R. SOFKA 6/18/71			
		F. ALTMAN 6/28/71			
		BA15-0021			
		9-24-71			
		11/17/71			

NAME	DATE	REVISION
SCHUPP	11/2/69	
REALT	11/2/69	
SCHMYER	12/3/69	
LANEY	12/3/69	
WATSON	12/3/69	
BMS		

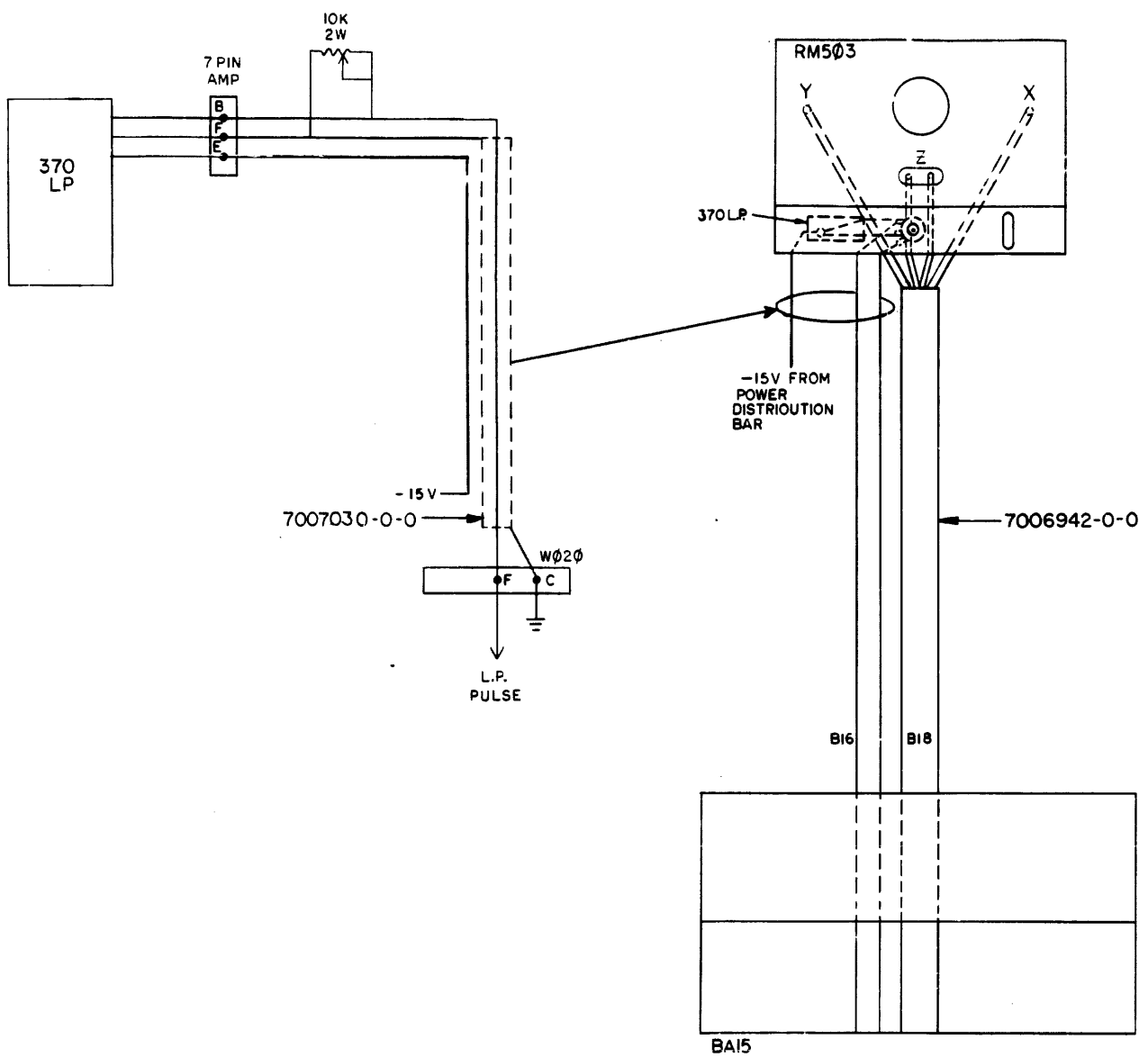
EQUIPMENT CORPORATION
1525 N. WILSON AVENUE
ARLINGTON, MASSACHUSETTS 01906

DISPLAY CONTROL BMS

D 38 VP15-0-02 E

This drawing and specifications, herein, are the property of Digital Equipment Corporation and shall not be reproduced or copied or used in whole or in part as the basis for the manufacture or sale of items without written permission.

VP15-BL-1
 D I C
 2



REV.	CHG.	NO.	DATE	BY	DESCRIPTION
1		BA15-0001			ORIGINATED
2		BA15-0001			REVISED
3		BA15-0001			REVISED
4		BA15-0001			REVISED
5		BA15-0001			REVISED
6		BA15-0001			REVISED
7		BA15-0001			REVISED
8		BA15-0001			REVISED

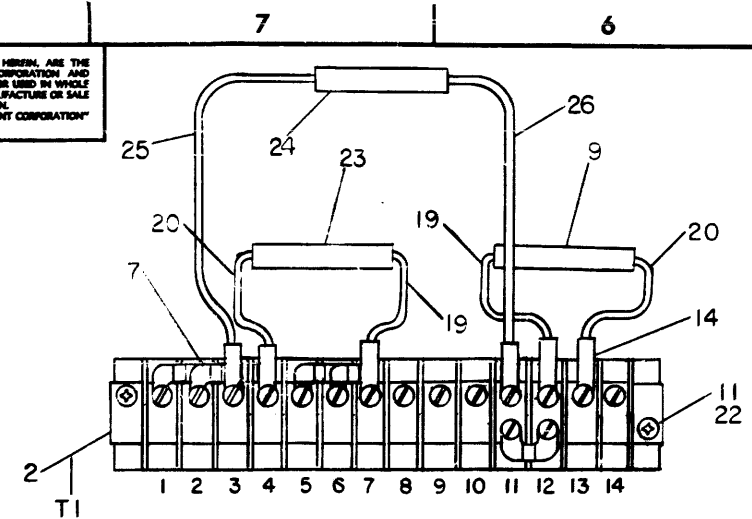
FIRST USED ON OPTION/MODEL
 VR15-BL

DO NOT SCALE DRAWING
 UNLESS OTHERWISE SPECIFIED
 DIMENSION IN INCHES
 TOLERANCES
 DECIMALS FRACTIONS ANGLES
 ±.005 ±.001 ±.030
 FINAL SURFACE QUALITY
 REMOVE BURRS AND BREAK SHARP CORNERS
 MATERIAL
 FINISH

QTY.	DESCRIPTION	PART NO.	ITEM NO.
	PARTS LIST		
DRN	DATE	DATE	DATE
CHK'D	DATE	DATE	DATE
ENG	DATE	DATE	DATE
PROJ ENGR	DATE	DATE	DATE
PROJ MGR	DATE	DATE	DATE
NEXT HIGHER ASSY			
A-ML-VP15-BL-1			
SCALE	SHEET OF		
TITLE			
INTERCONNECTION DIAGRAM			
SIZE CODE	NUMBER	REV.	
D I C	VP15-BL-1	A	

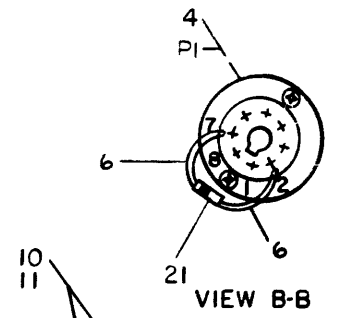
VP15-BL-1
 D I C
 A

"THIS DRAWING AND SPECIFICATIONS HEREIN ARE THE PROPERTY OF DIGITAL EQUIPMENT CORPORATION AND SHALL NOT BE REPRODUCED OR COPIED OR USED IN WHOLE OR IN PART AS THE BASIS FOR THE MANUFACTURE OR SALE OF ITEMS WITHOUT WRITTEN PERMISSION. COPYRIGHT © 1971 DIGITAL EQUIPMENT CORPORATION"

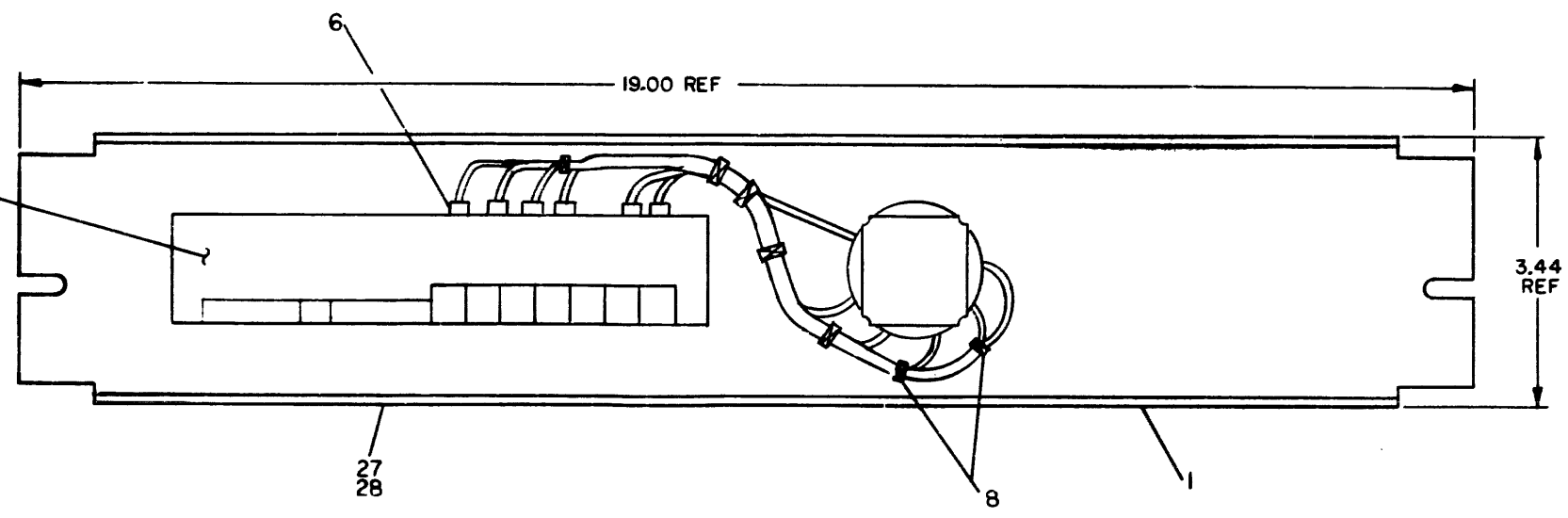
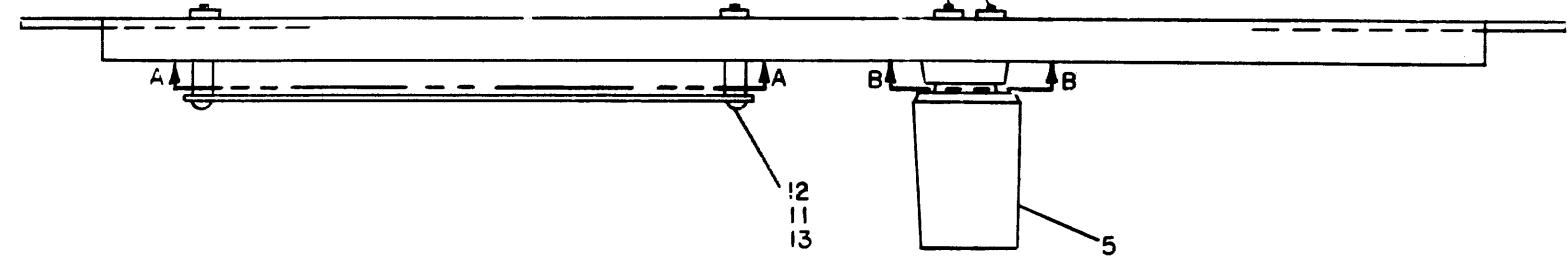


VIEW A-A

ITEM	COMP	POL	FROM	TO	POL	REMARKS
9	RES	-	TI-7	TI-13	+	
21	DIODE	-	PI-7	PI-2	+	
23	RES	-	TI-4	TI-7		
24	CAP	-	TI-3	TI-11	+	



VIEW B-B

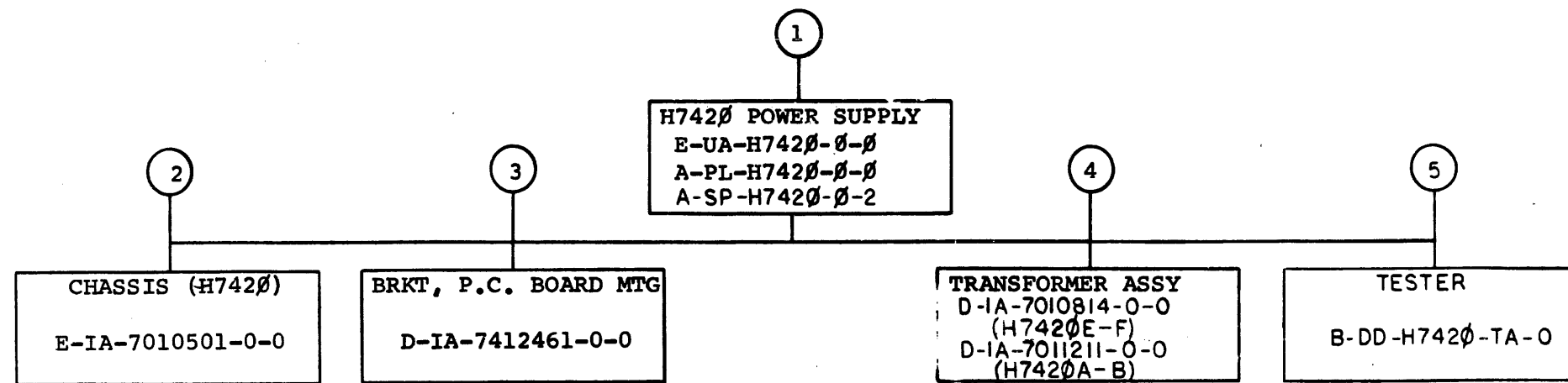


WIPE TABLE		FROM		TO	
ITEM NO	DESCRIPTION	CONNECTION	WITH	CONNECTION	WITH
17	18	YEL	PI-3	SOLDER	TI-8 14
16		VIO	PI-2		TI-14
17		YEL	PI-1		TI-11
18		BLK	PI-8		TI-10
15		RED	PI-7		TI-13
18	18	BLK	PI-6	SOLDER	TI-9 14
9			TI-12	14-19	TI-13 14,20
7			TI-1		TI-2
7			TI-2		TI-3
23			TI-7	14,19	TI-4 14,20
7			TI-5		TI-6
7			TI-6		TI-7
7			TI-11		TI-12
24			TI-3	14,25	TI-11 14,26

QTY	DESCRIPTION	PART NO.	REV
A/R	ADHESIVE, HYBOND	9007594	28
A/R	GROMMET	9007036	27
6 IN	TUBING #14 TEFLON YEL	9107295-04	26
6 IN	TUBING #14 TEFLON BLK	9107295-00	25
1	CAP 500MFD	1500CB7	24
1	RES 20A, 10W, 1%	1305416	23
2	SCREW, PH HD, 6-32x.69 LG	9007794-	22
	DIODE D672	110527-	21
6 IN	TUBING #14 TEFLON RED	9107295-02	20
6 IN	TUBING #14 TEFLON BLUE	9107295-06	19
A/R	WIRE, INS, #13 BLK	9107360-00	18
A/R	WIRE, INS, #18 YEL	9107360-44	17
A/R	WIRE, INS, #18 VIO	9107360-77	16
6 IN	WIRE, INS, #18 RED	9107360-22	15
12	CONN, SOLDERLESS	9007929	14
2	SPACER, .25 x .50 LG	9006803	.3
2	SCREW, PH HD 6-32 x .25 LG	9006009-1	12
6	LOCK WASHER # INT TOOTH	9006633	11
2	SCREW, PH HD, 6-32 x .56 LG	9007793-1	10
1	RES 30A, 10W, 1%	1305260	3
9	TIE WRAP	9007031	5
6	JUMPER	9009003	7
2 N	TUBING #22 TEFLON RED	9107295-12	6
1	RELAY 12VDC	203431	5
1	SOCKET	1201220	4
1	COVER, PROTECTION	379-743346-0-0	3
1	TERM STRIP BARRIER	9006918	2
1	CHASSIS, 856 PWR CONT	D-MD-53C 9020-0-G	1

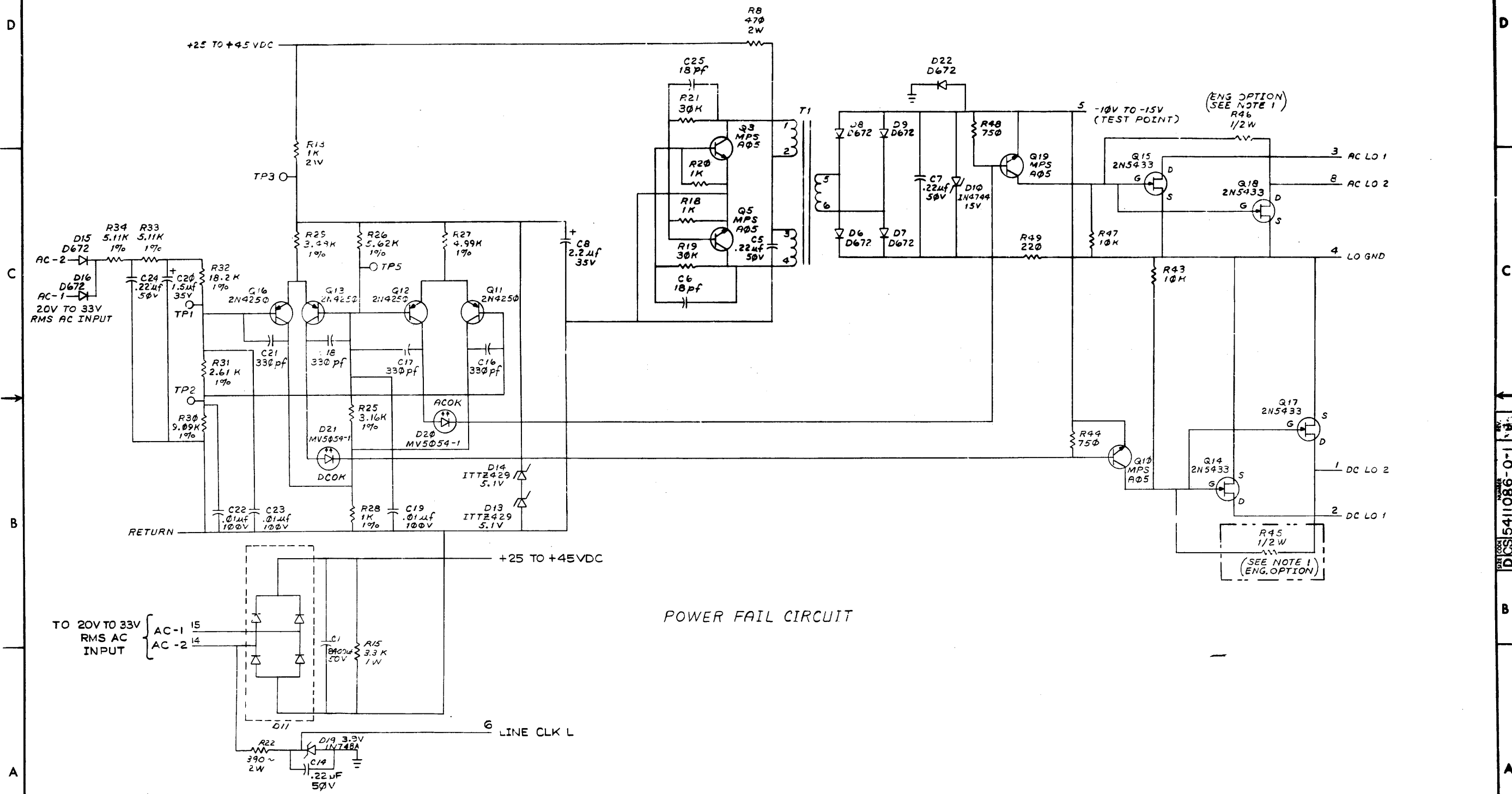
FIRST USED ON OPTION/MODEL		QTY	DESCRIPTION	PART NO.	REV
PDP 15C					
DIMENSIONAL TOLERANCE		PARTS LIST			
DIMENSIONS ARE IN MILLIMETERS UNLESS OTHERWISE SPECIFIED		DRN	DATE	DATE	
		CHKD	DATE	DATE	
		APP'D	DATE	DATE	
		PROD	DATE	DATE	
THIRD ANGLE PROJECTION		NEXT HIGHER ASSY.			
MATERIAL		DUA PDP15-C-0			
FINISH		SCALE			
		SHEET OF 1			
		DUA 856A-C-0			
		REV. A			

REV	DATE	BY
1	12/1/71	J. J. ...
2	12/1/71	J. J. ...
3	12/1/71	J. J. ...
4	12/1/71	J. J. ...
5	12/1/71	J. J. ...
6	12/1/71	J. J. ...
7	12/1/71	J. J. ...
8	12/1/71	J. J. ...



TITLE	SHEET 2 OF 3	SIZE CODE	NUMBER	REV
H7420 POWER SUPPLY		B DD	H7420-0	D

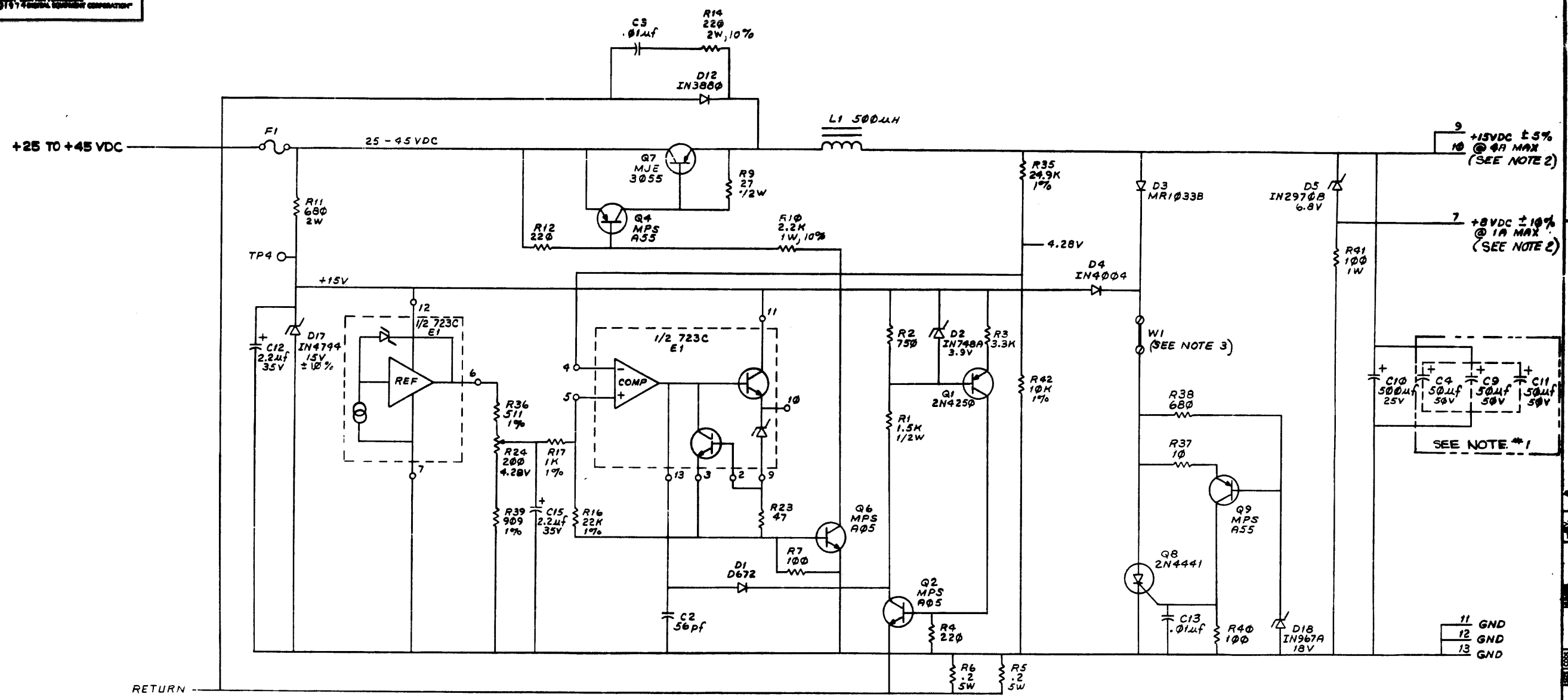
THIS DRAWING AND SPECIFICATIONS HEREBY ARE THE PROPERTY OF DIGITAL EQUIPMENT CORPORATION AND SHALL NOT BE REPRODUCED OR COPIED OR USED IN WHOLE OR IN PART AS THE BASIS FOR THE MANUFACTURE OR SALE OF ITEMS WITHOUT WRITTEN PERMISSION. COPYRIGHT © 1974 DIGITAL EQUIPMENT CORPORATION



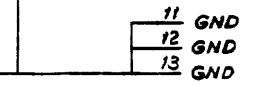
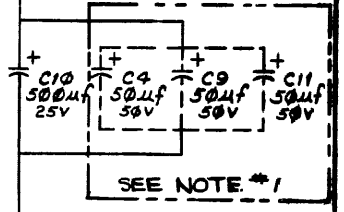
REVISIONS		
CHK	CHANGE NO.	REV.

DCS 5411086-0-1

THIS DRAWING AND SPECIFICATIONS HEREBY ARE THE PROPERTY OF GENERAL ELECTRIC COMPANY AND SHALL NOT BE REPRODUCED OR TRANSMITTED IN ANY FORM OR BY ANY MEANS, ELECTRONIC OR MECHANICAL, INCLUDING PHOTOCOPYING, RECORDING, OR BY ANY INFORMATION STORAGE AND RETRIEVAL SYSTEM WITHOUT THE WRITTEN PERMISSION OF GENERAL ELECTRIC COMPANY.



15V REGULATOR
(SEE NOTE #4)

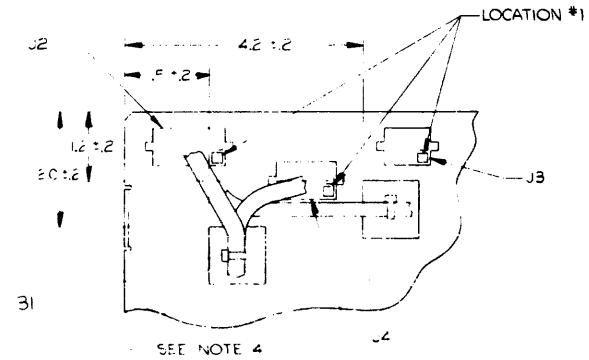
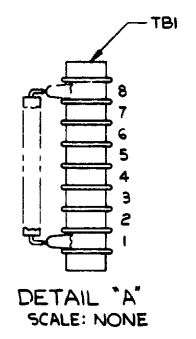
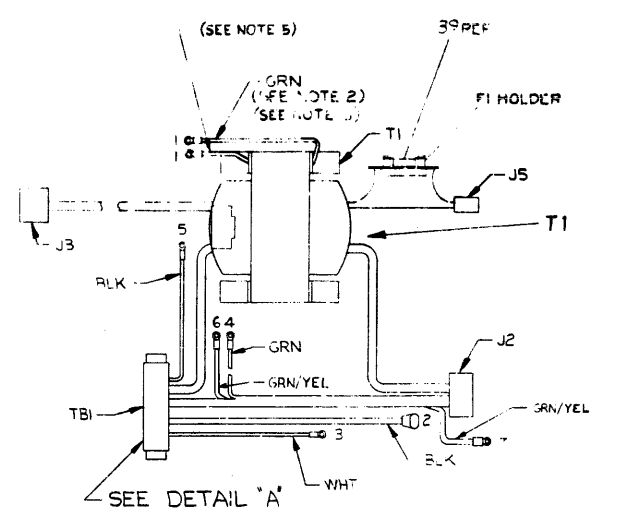


REVISIONS		
CHK	CHANGE NO.	REV.

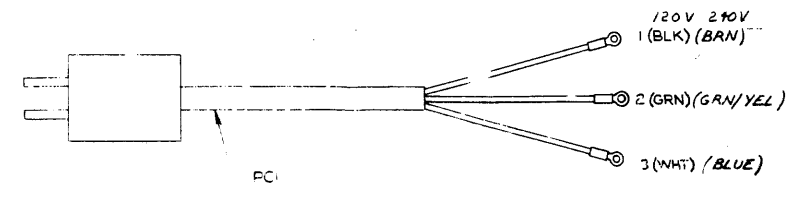
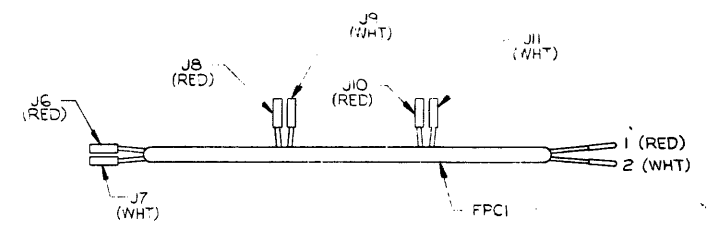
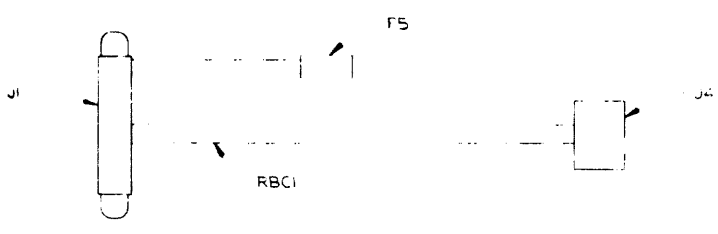
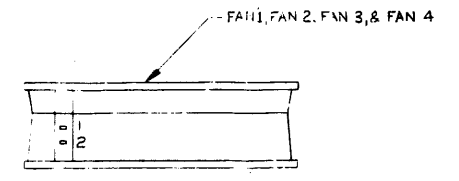
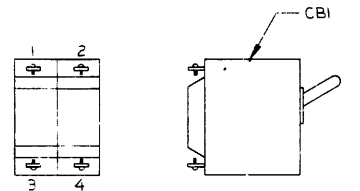
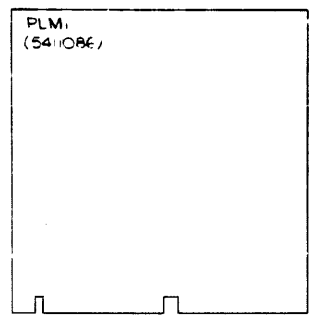
DO NOT SCALE DRAWING

WIRE TABLE					
ITEM NO	DESCRIPTION	FROM	TO	REMARKS	
AWG	COLOR	CONNECTION	CONNECTION		
10	14	GRN	T1-1	RBC1-P5	SEE NOTE 2,7
	14	BLK	T1-2	FAN1-E 2	
	14	WHT	T1-3	CB1-1	
	14	GRN	T1-4		SEE NOTE 7
	14	BLK	T1-5	CB1-2	
	22	BLK	L1-1	TBI-5	
	22	BLK	L1-2	TBI-7	
	18	RED	FPC1-J6	FAN 4-1	
		WHT	FPC1-J7	FAN 4-2	
		RED	FPC1-J8	FAN 3-1	
		WHT	FPC1-J9	FAN 3-2	
		RED	FPC1-J10	FAN 2-1	
		WHT	FPC1-J11	FAN 2-2	
		RED	FPC1-1	J2-3	
	18	WHT	FPC1-2	J2-7	
8/9	14	BLK	PC1-1	CB1-4	
8/9	14	GRN	PC1-2		SEE NOTE 7
8/9	14	WHT	PC1-3	CB1-3	
11	14	GRN/YEL	PLM1	RBC1-J1	SEE NOTE 7
10	14	GRN/YEL	T1-6	G1	SEE NOTE 7
10	14	GRN/YEL	T1-7	G2	SEE NOTE 7

JUMPER TABLE								
ITEM NO	DESCRIPTION	FROM	TO	PRECUT LENGTH	VARIATION			
AWG	COLOR	CONNECTION	WITH CONNECTION	WITH				
29	14	BLK	TBI-2	ITEM 28	TBI-6	ITEM 28	3.0	H7420E1A
29	14	BLK	TBI-4	ITEM 28	TBI-8	ITEM 28	3.0	H7420F1B
29	14	BLK	TBI-4	ITEM 28	TBI-6	ITEM 28	3.0	H7420F1B



SECTION B-B
SCALE: NONE




This drawing and specifications, herein, are the property of Digital Equipment Corporation and shall not be reproduced or copied or used in whole or in part as the basis for the manufacture or sale of items without written permission.

NOTE
 UNITS MARKED WITH ASTERISK
 HAVE SAME SUBDEVICE CODE
 GDA = GLASS DEFECT ANALYZER
 TTY SCN = 7606196

IOT ASSIGNMENTS									
	00	10	20	30	40	50	60	70	
0	KD15 KW13 PI	UDC AFC BD15 GRAPHIC 2/1	UDC AFC BD15	VT15A GRAPHIC 2/1	LT19 TP CHI-4 * LT15A TP CHI-4 *	DC15 GDA TTY SCN	GDA	RF15	
1	PC15 RDR	PHA15 NP02		VT15A	LT19 KB CHI-4 * LT15A KB CHI-4 *	AA15 GDA	GDA		
2	PC15 PUN	PHA15 NH14CR	DB09	KF15 VW01	LT19 TP CH 5-8 GRAPHIC 2/1	CAMAC GDA		RF15	
3	TTY KB KD15	PHA15 NH14CR AD15 ADF15		KA15 KD15 FP15	LT19 KB CH 5-8 GRAPHIC 2/1	CAMAC	RP15	TC59	
4	TTY TP	GRAPHIC 2/1	XY15	VT15B GRAPHIC 2/1	LT19 TP CH 9-12 DC01ED 1 GRAPHIC 2/1	CAMAC * AF04B * GDA	RP15	TC59	
5	VP15 GRAPHIC 2/1		DP09 2ND LP15F ECO 10	VT15B 2ND DP09A ECO,00005	LT19 KB CH 9-12 DC01ED 2 GRAPHIC 2/1	KA15	LP15 AC HJKF	TC15 TC02	
6	VP15 GRAPHIC 2/1		DP09 2ND LP15F ECO 10	2ND DP09A ECO,00005	LT19 TP CH13-16 DC01ED 3		LP15 AC HJKF	TC15 TC02	
7	VP15 GRAPHIC 2/1	KM15 KT15	MP15		LT19 KB CH13-16 DC01ED 4 GRAPHIC 2/1		CR15 * CR03B *	KO15 KA15	

REV. A	DATE 7/12/72
CHK 15-00088	HALIO
PT. VISIONS	7/12/72

FIRST USED ON OPTION/MODEL	QTY.	DESCRIPTION	PART NO.	TR. NO.
PDP -15		PARTS LIST		
UNLESS OTHERWISE SPECIFIED DIMENSION IN INCHES. TOLERANCES	DRN. B. CRAMM	DATE 5-26-72	 digital EQUIPMENT CORPORATION MAYNARD, MASSACHUSETTS TITLE PDP-15 API, DCH, IOT ASSIGNMENTS	
DECIMALS	CHK'D. B. Cramm	DATE 6-1-72		
ANGLES	ENG. B. Cramm	DATE 6-1-72		
.XXX = .005 .XX = .02 .X = .1	PROJ. ENG. F. Halls	DATE 6-1-72		
REMOVE BURRS AND BREAK SHARP CORNERS SURFACE QUALITY ✓	PROB. F. Halls	DATE 6-1-72		
MATERIAL	NEXT HIGHER ASSY.		SIZE CODE	NUMBER
FINISH	A-ML-PDP15-0		C SP	PDP 5-0-19
	SCALE NONE			REV. A
	SHEET 1 OF 2	DIST.		

This drawing and specifications, herein, are the property of Digital Equipment Corporation and shall not be reproduced or copied or used in whole or in part as the basis for the manufacture or sale of items without written permission.


API ASSIGNMENTS

ADDRESS	DEVICE	OPTION	PRIORITY
40	SOFTWARE	0	4
41	SOFTWARE	1	5
42	SOFTWARE	2	6
43	SOFTWARE	3	7
44	DECTAPE	TC02-TC15	1
45	MAGTAPE	TC59	1
46	DISPLAY 2ND LINE PRINTER	VT15B LP15F ECO 10	2
47			
50	PAPER TAPE READER	PC15	2
51	CLOCK OVER FLOW	KW15	3
52	POWER FAIL	KF15	0
53	PARITY	MP15	0
54	DISPLAY (LP-DONE FLAG)	VT15A,B / VP15	2
55	CARD READER GRAPHIC 2/1	CR03B/CR15	2
56	LINE PRINTER GRAPHIC 2/1	LP15 C,F	
57	A/D CONVERTER	AD15/ADF15	0
60	INTERPROCESSOR BUFFER GRAPHIC 2/1	DB09A	3
61			
62	SYNCH. COMM. DEVICE	DP09A	2
63	DEC DISK GRAPHIC 2/1	RF15	1
64	DISK PACK GRAPHIC 2/1	RP15	1
65	PLOTTER COMM. 1	XY15 DC01EB	2
66	COMM 2, CAMAC, CA15 GDA	DC01EB	2
67	COMM 3, CAMAC, CA15	DC01EB	2
70	CAMAC, CA15, GDA, DC01ED GRAPHIC 2/1, PHA15	NP02	0
71	GDA, DC01ED, GRAPHIC 2/1 PHA15, UDC15	NP02	0
72	DC01ED, GRAPHIC 2/1 PHA15, FLYING CAP	NP02 AFC15	0 1
73	DC01ED, GRAPHIC 2/1 WRITING TABLE	VW01	2
74	DC01ED, GRAPHIC 2/1 TELETYPE KEYBOARD	LT19/LT15A	3
75	GDA, DC01ED, GRAPHIC 2/1 TELETYPE PRINTER AF04B	LT19/LT15A	3
76	GDA, DC01ED, GRAPHIC 2/1 PHA15, DATA COMM 4	NP02, DC01EB	0,1
77	PHA15	NP02	0

DCH ASSIGNMENTS

ADDRESS	DEVICE	OPTION
22	INTERPROCESSOR BUFFER	DB09
23		
24	INTERPROCESSOR BUFFER	DB09
25	PHA15	NP02
	A/D CONVERTER 2ND LINE PRINTER	AD15, ADF15, CA15 LP15F ECO 10
26	CARD READER	CR15, CR03B
27	A/D CONVERTER	AD15, ADF15, CA15
30	DECTAPE 1	TC15
31		
32	MAGTAPE CONTROL	TC59
33		
34	LINE PRINTER	LP15 A,F
35		
36	DEC DISK	RF15
37		
	PROGRAMABLE DISPLAY	GRAPHIC 2/1

REV.	
CHG	
REVISIONS	
CHANGE NO.	

FIRST USED ON OPTION/MODEL	QTY.	DESCRIPTION	PART NO.
PDP-15			
PARTS LIST			
UNLESS OTHERWISE SPECIFIED DIMENSION IN INCHES. TOLERANCES	DRN. B. Cramm	DATE 5-26-72	 digital EQUIPMENT CORPORATION <small>MAYNARD, MASSACHUSETTS</small>
DECIMALS	CHK'D. B. Cramm	DATE 6-1-72	
ANGLES	ENG. B. Cramm	DATE 6-1-72	
.XXX - .006 .XX - .02 .X - .1	PROJ. ENG. A. Hales	DATE 6-1-72	
REMOVE BURRS AND BREAK SHARP CORNERS SURFACE QUALITY ✓	PROD. A. Hales	DATE 6-1-72	
MATERIAL	NEXT HIGHER ASSY.		TITLE
FINISH	A-ML-PDP15-0	SIZE CODE	PDP-15 API, DCH, IOT ASSIGNMENTS
	SCALE NONE	NUMBER	
	SHEET 2 OF 2	C SP PDP15-0-19	REV. A
		DIST.	

